

UNARMoured CABLE

PMX Series - Barrier version

Explosion proof barrier cable gland single compression with male thread suitable for all type of unarmoured cable.

Features

Resinable bushing: with filling compound epoxide resin REPM-1

Material used: nickel plated brass CW614N

Operating temperature: -40°C up to 100°C with EPDM sealing rings

NPT thread: from 3/8" up to 3"

ISO 262 thread: from M16x1.5 up to M90x1.5

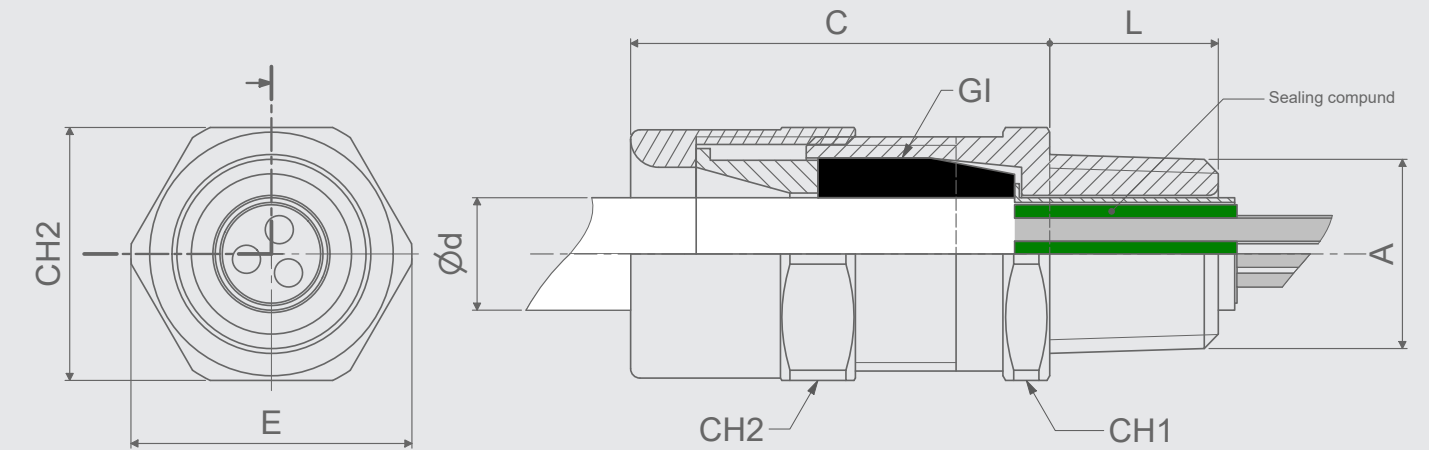
Degree of protection: IP66

Unarmoured cable clamping range: from \varnothing 2mm up to \varnothing 74mm

All cable glands are supplied with a full set of sealing rings (GI rings, see table) in various diameter range.



UNARMoured CABLE



Code	A	L	C	CH1	CH2	E	$\varnothing d$ range
NPT							
PMX38B-KIT	3/8" NPT	16	44	22	24	25	2 ÷ 8
PMX1B-KIT	1/2" NPT	18	44	27	27	30	4 ÷ 12
PMX1EB-KIT	1/2" NPT	18	44	30	30	33	5 ÷ 14
PMX2B-KIT	3/4" NPT	18	44	31	33	35	9 ÷ 17
PMX3B-KIT	1" NPT	23	51	41	44	46	14 ÷ 23
PMX4B-KIT	1.1/4" NPT	23	51	46	48	51	20 ÷ 29
PMX5B-KIT	1.1/2" NPT	23	51	56	58	62	20 ÷ 35
PMX6B-KIT	2" NPT	23	51	64	68	76	35 ÷ 45
PMX7B-KIT	2.1/2" NPT	28	59	78	82	90	45 ÷ 56
PMX8B-KIT	3" NPT	28	59	94	100	104	56 ÷ 68
PMX9B-KIT	3" NPT	28	59	102	110	112	62 ÷ 74
ISO							
PMX16B-KIT	M16x1.5	16	44	22	24	25	2 ÷ 8
PMX20B-KIT	M20x1.5	16	44	27	27	30	4 ÷ 12
PMX20EB-KIT	M20x1.5	16	44	30	30	33	5 ÷ 14
PMX25B-KIT	M25x1.5	16	44	31	33	35	9 ÷ 17
PMX32B-KIT	M32x1.5	16	51	41	44	46	14 ÷ 23
PMX40B-KIT	M40x1.5	18	51	46	48	51	20 ÷ 29
PMX50B-KIT	M50x1.5	18	51	56	58	62	20 ÷ 35
PMX63B-KIT	M63x1.5	18	51	70	68	76	35 ÷ 45
PMX75B-KIT	M75x1.5	22	59	82	82	90	45 ÷ 56
PMX85B-KIT	M85x1.5	22	59	94	100	104	56 ÷ 68
PMX90B-KIT	M90x1.5	22	59	102	110	112	62 ÷ 74

The code for Inox AISI 316L version has the letter "S" on final. Es. **PMX1S-KIT**

ATEX & IECEx Equipment Data		
Gas	Group II Zone 1	II 2G Ex db IIC Gb Ex eb IIC Gb
Dust	Group II Zone 21	II 2D Ex tb IIIC Db IP66
ATEX Certificate		IECEx Certificate
INERIS 10 ATEX 0029X		IECEx INE 14.0003X

Options available

- Fully stainless steel AISI 316L construction
- Red silicon sealings rings with operating temperature range from -60°C up to 180°C