

PMFA Series

Explosion proof barrier cable gland single compression with rotating bushing female entry to be coupled to a rigid or flexible conduit attachment thread.

Note: even if tightened the bushing can rotate by 360°.

Features

Material used: nickel plated brass CW614N

Operating temperature: -40°C up to 100°C with EPDM sealing rings

NPT thread: from 3/8" up to 3"

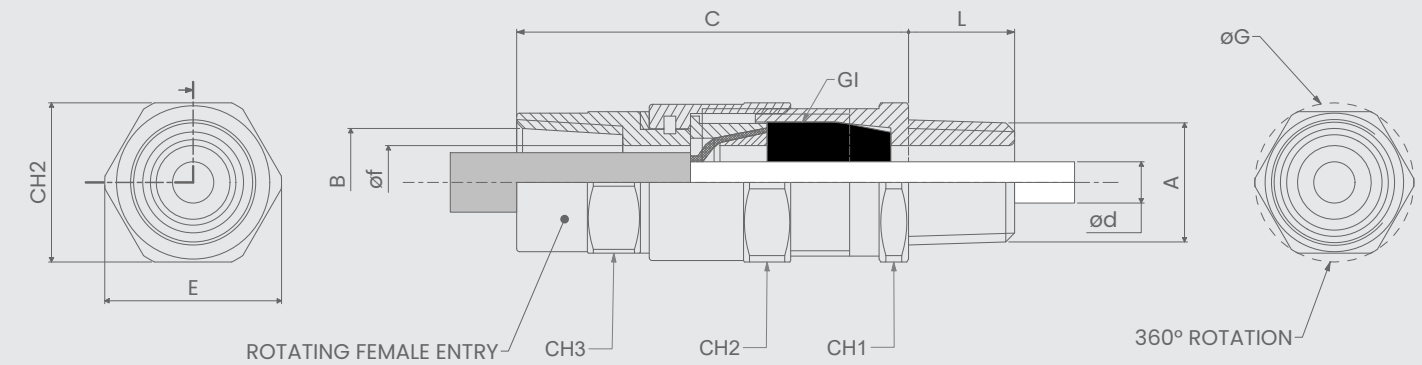
ISO 262 thread: from M16x1.5 up to M90x1.5

Degree of protection: IP66

Unarmoured cable clamping range: from ø 2mm up to ø 74mm

Armoured cable clamping range: from ø 5mm up to ø 84mm

All cable glands are supplied with a full set of sealing rings (GI rings, see table) in various diameter range.



Code	A	B	L	C	CH1	CH2	CH3	E	G	øf	ød range
NPT											
PMFA38B-KIT	3/8" NPT	3/8" NPT	16	66	22	24	20	25	22	8,5	2 ÷ 8
PMFA1B-KIT	1/2" NPT	1/2" NPT	18	66	27	27	24	30	27	12,5	4 ÷ 12
PMFA1EB-KIT	1/2" NPT	1/2" NPT	18	66	30	30	27	33	30	14,5	5 ÷ 14
PMFA2B-KIT	3/4" NPT	3/4" NPT	18	66	31	33	32	35	36	17,5	9 ÷ 17
PMFA3B-KIT	1" NPT	1" NPT	23	79	41	44	38	46	43	23,5	14 ÷ 23
PMFA4B-KIT	1.1/4" NPT	1.1/4" NPT	23	79	46	48	46	51	52	29,5	20 ÷ 29
PMFA5B-KIT	1.1/2" NPT	1.1/2" NPT	23	79	56	58	56	62	63	35,5	20 ÷ 35
PMFA6B-KIT	2" NPT	2" NPT	23	79	64	68	68	76	76	45,5	35 ÷ 45
PMFA7B-KIT	2.1/2" NPT	2.1/2" NPT	28	87	78	82	82	90	90	57	45 ÷ 56
PMFA8B-KIT	3" NPT	3" NPT	28	87	94	100	98	104	108	75	56 ÷ 68
ISO											
PMFA16B-KIT	M16x1.5	M16x1.5	16	66	22	24	20	25	22	8,5	2 ÷ 8
PMFA20B-KIT	M20x1.5	M20x1.5	16	66	27	27	24	30	27	12,5	4 ÷ 12
PMFA20EB-KIT	M20x1.5	M20x1.5	16	66	30	30	27	33	30	14,5	5 ÷ 14
PMFA25B-KIT	M25x1.5	M25x1.5	16	66	31	33	32	35	36	17,5	9 ÷ 17
PMFA32B-KIT	M32x1.5	M32x1.5	16	79	41	44	38	46	43	23,5	14 ÷ 23
PMFA40B-KIT	M40x1.5	M40x1.5	18	79	46	48	46	51	52	29,5	20 ÷ 29
PMFA50B-KIT	M50x1.5	M50x1.5	18	79	56	58	56	62	63	35,5	20 ÷ 35
PMFA63B-KIT	M63x1.5	M63x1.5	18	79	70	68	68	76	76	45,5	35 ÷ 45
PMFA75B-KIT	M75x1.5	M75x1.5	22	87	82	82	82	90	90	57	45 ÷ 56
PMFA85B-KIT	M85x1.5	M85x1.5	22	87	94	100	93	104	103	69	56 ÷ 68

The code for Inox AISI 316L version has the letter "S" on final. Es. **PMFA1S-KIT**

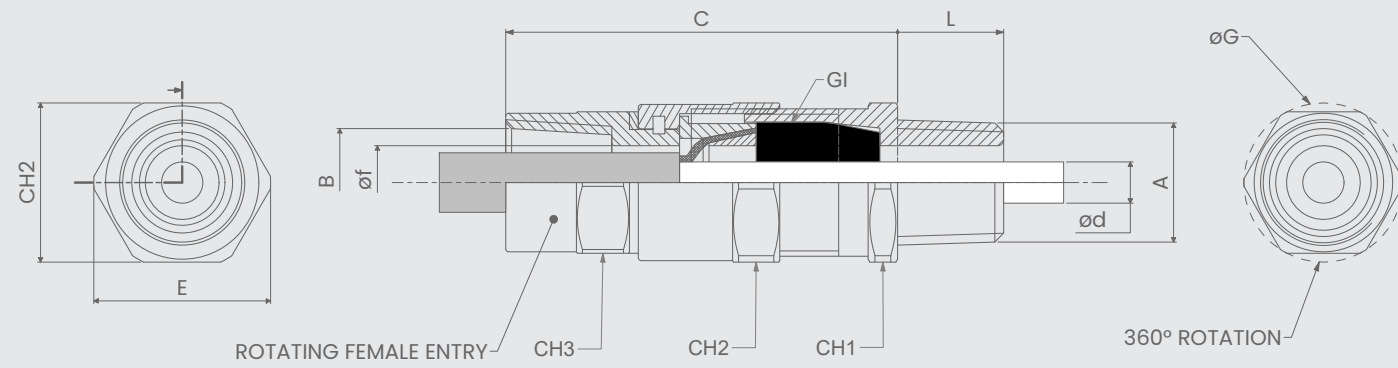
ATEX & IECEx Equipment Data		
Gas	Group II Zone 1	II 2G Ex db IIC Gb Ex eb IIC Gb
Dust	Group II Zone 21	II 2D Ex tb IIIC Db IP66

ATEX Certificate	IECEx Certificate
INERIS 10 ATEX 0029X	IECEx INE 14.0003X

Options available

- Fully stainless steel AISI 316L construction
- Red silicon sealings rings with operating temperature range from -60°C up to 180°C

PMFA Series - Mixed configuration



All cable glands are supplied with a full set of sealing rings (GI rings, see table) in various diameter range.

Code	A	B	L	C	CH1	CH2	CH3	E	G	ød	ød range
PMFA3816B-KIT	3/8" NPT	M16x1.5	16	66	22	24	20	25	22	8,5	2 ÷ 8
PMFA120B-KIT	1/2" NPT	M20x1.5	18	66	27	27	24	30	27	12,5	4 ÷ 12
PMFA1E20B-KIT	1/2" NPT	M20x1.5	18	66	30	30	27	33	30	14,5	5 ÷ 14
PMFA225B-KIT	3/4" NPT	M25x1.5	18	66	31	33	32	35	36	17,5	9 ÷ 17
PMFA332B-KIT	1" NPT	M32x1.5	23	79	41	44	38	46	43	23,5	14 ÷ 23
PMFA440B-KIT	1.1/4" NPT	M40x1.5	23	79	46	48	46	51	52	29,5	20 ÷ 29
PMFA550B-KIT	1.1/2" NPT	M50x1.5	23	79	56	58	56	62	63	35,5	20 ÷ 35
PMFA663B-KIT	2" NPT	M63x1.5	23	79	64	68	68	76	76	45,5	35 ÷ 45
PMFA775B-KIT	2.1/2" NPT	M75x1.5	28	87	78	82	82	90	90	57	45 ÷ 56
PMFA885B-KIT	3" NPT	M85x1.5	28	87	94	100	98	104	108	75	56 ÷ 68
PMFA1638B-KIT	M16x1.5	3/8" NPT	16	66	22	24	20	25	22	8,5	2 ÷ 8
PMFA201B-KIT	M20x1.5	1/2" NPT	16	66	27	27	24	30	27	12,5	4 ÷ 12
PMFA20E1B-KIT	M20x1.5	1/2" NPT	16	66	30	30	27	33	30	14,5	5 ÷ 14
PMFA252B-KIT	M25x1.5	3/4" NPT	16	66	31	33	32	35	36	17,5	9 ÷ 17
PMFA323B-KIT	M32x1.5	1" NPT	16	79	41	44	38	46	43	23,5	14 ÷ 23
PMFA404B-KIT	M40x1.5	1.1/4" NPT	18	79	46	48	46	51	52	29,5	20 ÷ 29
PMFA505B-KIT	M50x1.5	1.1/2" NPT	18	79	56	58	56	62	63	35,5	20 ÷ 35
PMFA636B-KIT	M63x1.5	2" NPT	18	79	70	68	68	76	76	45,5	35 ÷ 45
PMFA757B-KIT	M75x1.5	2.1/2" NPT	22	87	82	82	82	90	90	57	45 ÷ 56
PMFA858B-KIT	M85x1.5	3" NPT	22	87	94	100	93	104	103	69	56 ÷ 68

The code for Inox AISI 316L version has the letter "S" on final. Es. PMF120S-KIT