

## PMSA Series

Explosion proof cable gland single compression with fast clamping for flexible conduit.

### Features

**Material used:** nickel plated brass CW614N

**Operating temperature:** -40°C up to 100°C with EPDM sealing rings

**NPT thread:** from 3/8" up to 3"

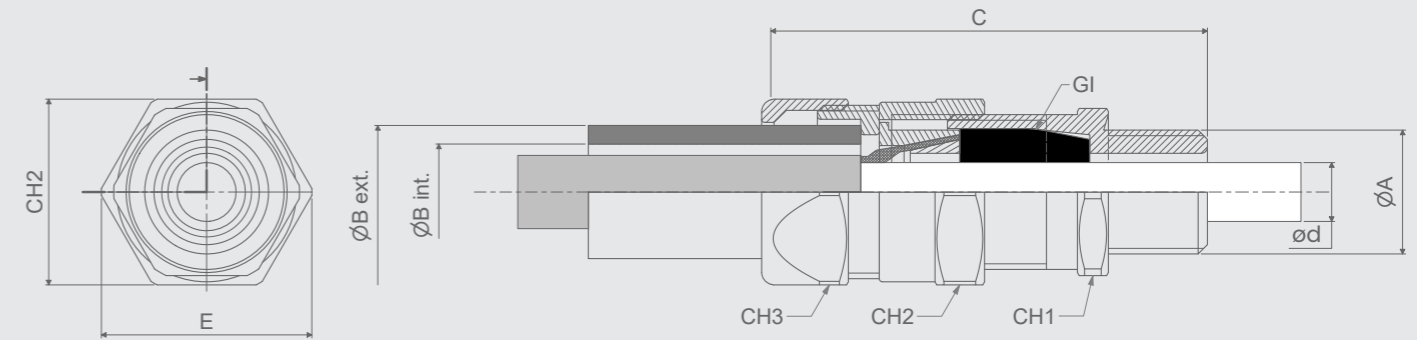
**ISO 262 thread:** from M16x1.5 up to M90x1.5

**Degree of protection:** IP66

**Unarmoured cable clamping range:** from  $\varnothing$  2mm up to  $\varnothing$  74mm

**Armoured cable clamping range:** from  $\varnothing$  5mm up to  $\varnothing$  84mm

All cable glands are supplied with a full set of sealing rings (GI rings, see table) in various diameter range.



Code	A	L	C	CH1	CH2	E	$\varnothing d$ range	$\varnothing B$ Int.	$\varnothing B$ Ext.	Conduit Code
<b>NPT</b>										
PMSA38B-KIT	3/8" NPT	16	58	22	24	25	2 ÷ 8	10	10,5	DMC210
PMSA1B-KIT	1/2" NPT	18	58	27	27	30	4 ÷ 12	15,5	15,5	DMC216
PMSA1EB-KIT	1/2" NPT	18	58	30	30	33	5 ÷ 14	15,5	21,5	DMC216
PMSA2B-KIT	3/4" NPT	18	58	31	33	35	9 ÷ 17	20,5	27	DMC221
PMSA3B-KIT	1" NPT	23	67	41	44	46	14 ÷ 23	26,5	33	DMC227
PMSA4B-KIT	1.1/4" NPT	23	67	46	48	51	20 ÷ 29	34,5	43	DMC235
PMSA5B-KIT	1.1/2" NPT	23	67	56	58	62	20 ÷ 35	39,5	48	DMC240
PMSA6B-KIT	2" NPT	23	67	64	68	76	35 ÷ 45	50,5	60	DMC250
PMSA7B-KIT	2.1/2" NPT	28	76	78	82	90	45 ÷ 56	63	73	DMC263
PMSA8B-KIT	3" NPT	28	76	94	100	104	56 ÷ 68	77	88	DMC277
PMSA9B-KIT	3" NPT	28	76	102	110	112	62 ÷ 74	77	88	DMC277
<b>ISO</b>										
PMSA16B-KIT	M16x1.5	16	58	22	24	25	2 ÷ 8	10	10,5	DMC210
PMSA20B-KIT	M20x1.5	16	58	27	27	30	4 ÷ 12	15,5	15,5	DMC216
PMSA20EB-KIT	M20x1.5	16	58	30	30	33	5 ÷ 14	15,5	21,5	DMC216
PMSA25B-KIT	M25x1.5	16	58	31	33	35	9 ÷ 17	20,5	27	DMC221
PMSA32B-KIT	M32x1.5	16	67	41	44	46	14 ÷ 23	26,5	33	DMC227
PMSA40B-KIT	M40x1.5	18	67	46	48	51	20 ÷ 29	34,5	43	DMC235
PMSA50B-KIT	M50x1.5	18	67	56	58	62	20 ÷ 35	39,5	48	DMC240
PMSA63B-KIT	M63x1.5	18	67	70	68	76	35 ÷ 45	50,5	60	DMC250
PMSA75B-KIT	M75x1.5	22	76	82	82	90	45 ÷ 56	63	73	DMC263
PMSA85B-KIT	M85x1.5	22	76	94	100	104	56 ÷ 68	77	88	DMC277
PMSA90B-KIT	M90x1.5	22	76	102	110	112	62 ÷ 74	77	88	DMC277

The code for Inox AISI 316L version has the letter "S" on final. Es. PMSAIS-KIT

ATEX & IECEx Equipment Data		
<b>Gas</b>	Group II Zone 1	II 2G Ex db IIC Gb Ex eb IIC Gb
<b>Dust</b>	Group II Zone 21	II 2D Ex tb IIIC Db IP66

ATEX Certificate	IECEx Certificate
INERIS 10 ATEX 0029X	IECEx INE 14.0003X

### Options available

- Fully stainless steel AISI 316L construction
- Red silicon sealings rings with operating temperature range from -60°C up to 180°C

## CONDUIT TYPE DMC FOR PMS

### Features

**Application:** very suited where is necessary a strong mechanical resistance to traction, torsion and compression

**Construction:** pliable hot deep galvanized steel conduit, reinforced clutch, recovered of smooth grey PVC heavy bore coating and well anchored to the metal conduit

**Characteristics:** good resistance to aging, to a wide range of oils and to a lot of acids used in industries

**Self-extinguishing:** self-extinguishing according to norms CEI EN 61386

**Areas of application:** infrastructure, installed on machines, energy, chemical and pharmaceutical, marine industry, industrial



Code	Flexible conduit		Inside bend radius (mm)	Resistance to traction	Resistance to compression	Temp. range (C°)	Suitable for cable glands series PMS/PMSX	IP Rating
	ø int (mm)	ø ext (mm)						
<b>DMC210</b>	10	15,5	50	>1000N	>1250N	-15° ÷ +70°	PMS38 / PMS16	IP67
<b>DMC216</b>	15,5	21,5	60	>1000N	>1250N	-15° ÷ +70°	PMS1 / PMS20 PMS1E / PMS20E	IP67
<b>DMC221</b>	20,5	27	90	>1000N	>1250N	-15° ÷ +70°	PMS2 / PMS25	IP67
<b>DMC227</b>	26,5	33	120	>1000N	>1250N	-15° ÷ +70°	PMS3 / PMS32	IP67
<b>DMC235</b>	34,5	43	150	>1000N	>1250N	-15° ÷ +70°	PMS4 / PMS40	IP67
<b>DMC240</b>	39,5	48	200	>1000N	>1250N	-15° ÷ +70°	PMS5 / PMS50	IP67
<b>DMC250</b>	50,5	60	250	>1000N	>1250N	-15° ÷ +70°	PMS6 / PMS63	IP67
<b>DMC263</b>	63	73	280	>1000N	>1250N	-15° ÷ +70°	PMS7 / PMS75	IP67
<b>DMC277</b>	77	88	400	>1000N	>1250N	-15° ÷ +70°	PMS8 / PMS85 PMS9 / PMS90	IP67



Reinforced clutch profile