



RIBCO

EXPLOSION PROOF  
EQUIPMENT

CATALOGUE 2021

Certified by

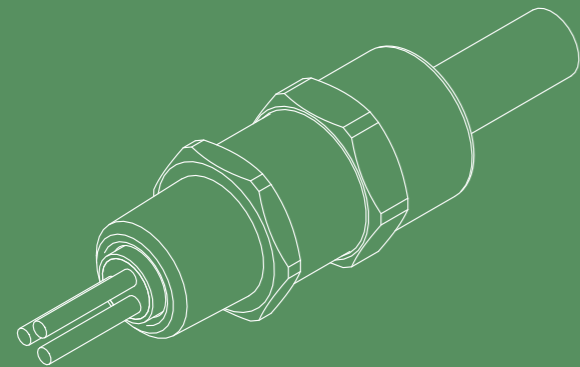


[www.ribco.it](http://www.ribco.it)

# R Cable glands

Cable glands series P are cable entry devices with the main function of clamping different type of electrical cables to a local control station located in classified area Zone 1 or 21. They can be use with armour or unarmoured cable and with rigid or flexible tube in order to increase the mechanical protection of the cable. Barrier cable glands are also available such as cable glands with female threads.

All products are certified:



# CABLE GLANDS



PM | pag. 8



PMF | pag. 10



PMM | pag. 14



PAX | pag. 44



PMFAX | pag. 46



PPMAX | pag. 50



PMS | pag. 18



PMX | pag. 20



PMFX | pag. 22



PMSAX | pag. 54



PMA | pag. 56



PMAX | pag. 58



PPMX | pag. 26



PMSX | pag. 30



PA | pag. 32



ACCESSORIES | pag. 60



PMFA | pag. 34

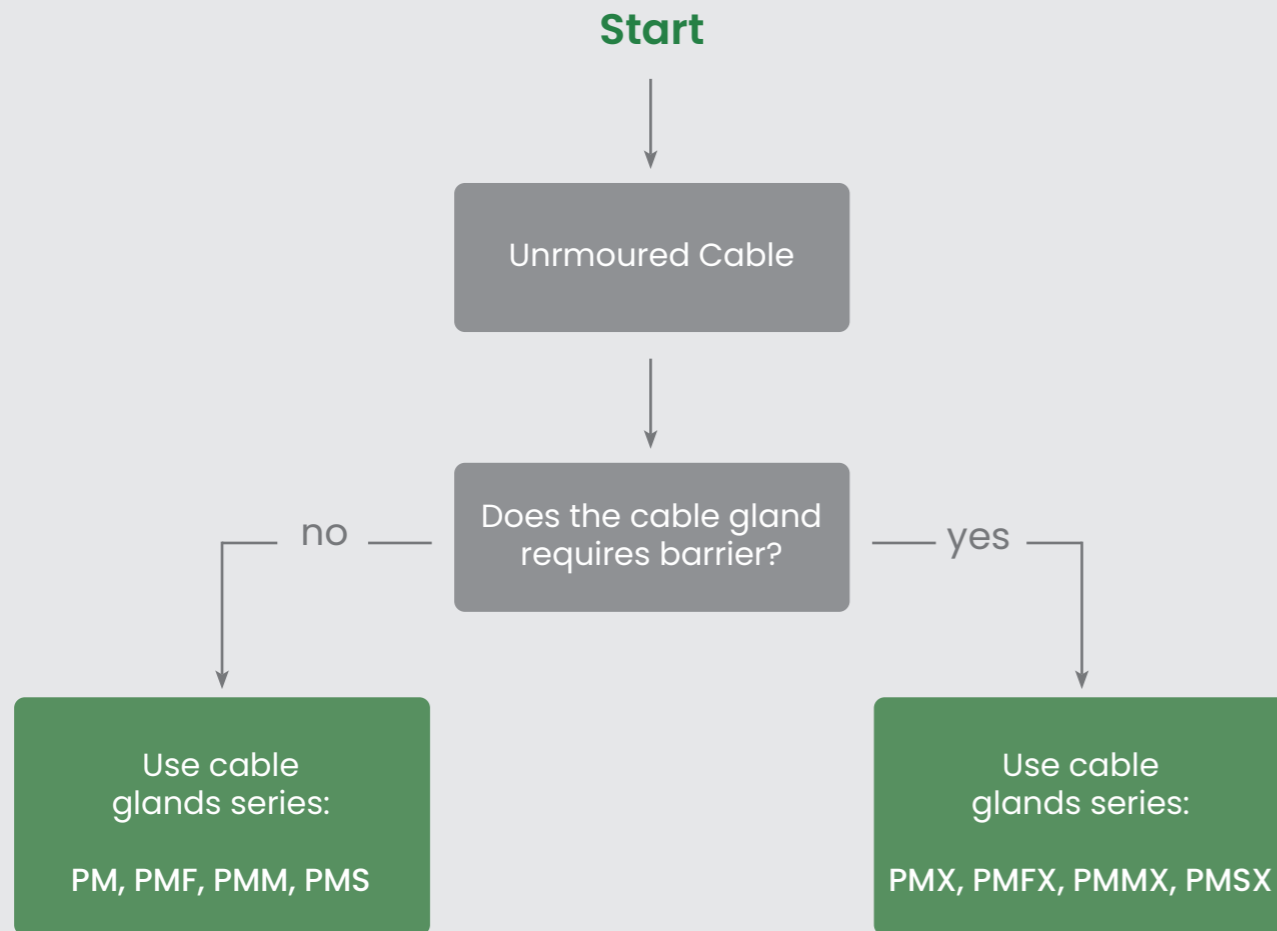


PMMA | pag. 38

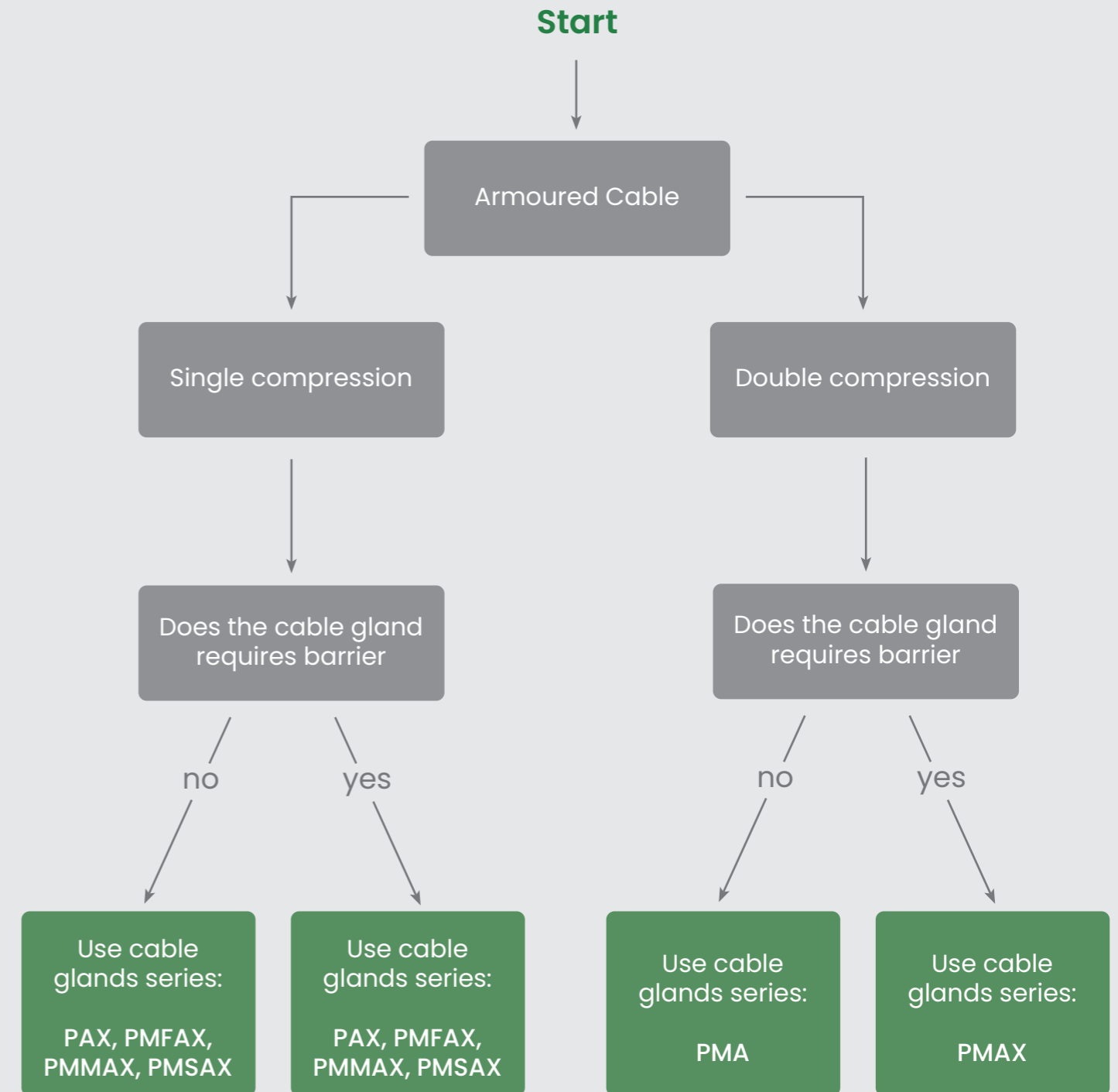


PMSA | pag. 42

## SELECTION OF CABLE GLAND - UNARMoured CABLE



## SELECTION OF CABLE GLAND - ARMoured CABLE



# UNARMoured CABLE

## PM Series

Explosion proof cable gland single compression with male thread suitable for all type of unarmoured cable

### Features

**Material used:** nickel plated brass CW614N

**Operating temperature:** -40°C up to 100°C with EPDM sealing rings

**NPT thread:** from 3/8" up to 3"

**ISO 262 thread:** from M16x1.5 up to M90x1.5

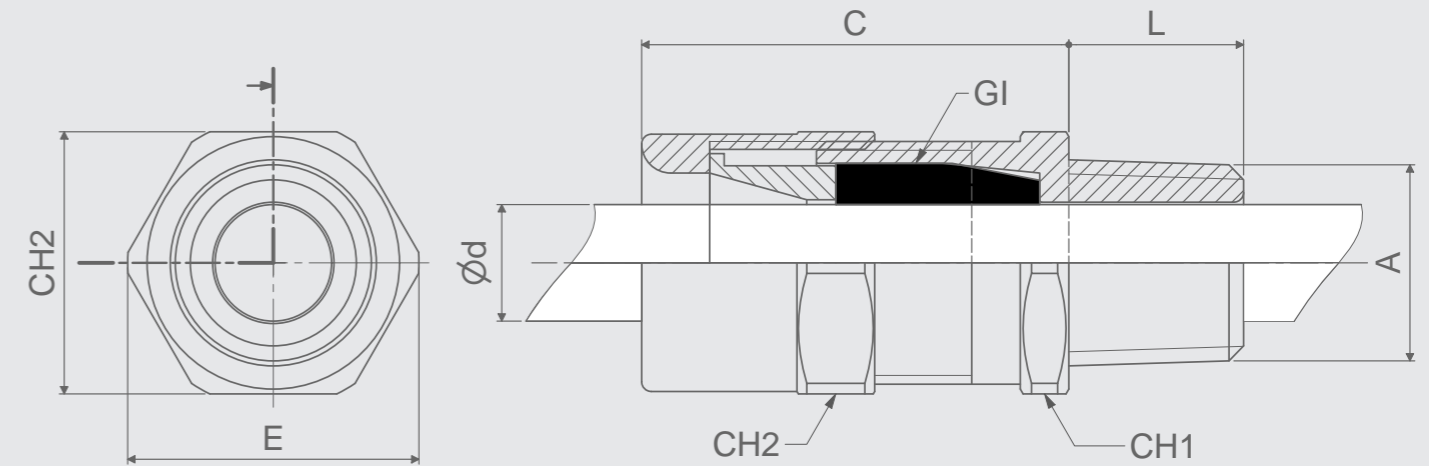
**Degree of protection:** IP66

**Unarmoured cable clamping range:** from  $\varnothing$  2mm up to  $\varnothing$  74mm

All cable glands are supplied with a full set of sealing rings (GI rings, see table) in various diameter range.



# UNARMoured CABLE



Code	A	L	C	CH1	CH2	E	$\varnothing$ d range
<b>NPT</b>							
<b>PM38B-KIT</b>	3/8" NPT	16	44	22	24	25	2 ÷ 8
<b>PM1B-KIT</b>	1/2" NPT	18	44	27	27	30	4 ÷ 12
<b>PM1EB-KIT</b>	1/2" NPT	18	44	30	30	33	5 ÷ 14
<b>PM2B-KIT</b>	3/4" NPT	18	44	31	33	35	9 ÷ 17
<b>PM3B-KIT</b>	1" NPT	23	51	41	44	46	14 ÷ 23
<b>PM4B-KIT</b>	1.1/4" NPT	23	51	46	48	51	20 ÷ 29
<b>PM5B-KIT</b>	1.1/2" NPT	23	51	56	58	62	20 ÷ 35
<b>PM6B-KIT</b>	2" NPT	23	51	64	68	76	35 ÷ 45
<b>PM7B-KIT</b>	2.1/2" NPT	28	59	78	82	90	45 ÷ 56
<b>PM8B-KIT</b>	3" NPT	28	59	94	100	104	56 ÷ 68
<b>PM9B-KIT</b>	3" NPT	28	59	102	110	112	62 ÷ 74
<b>ISO</b>							
<b>PM16B-KIT</b>	M16x1.5	16	44	22	24	25	2 ÷ 8
<b>PM20B-KIT</b>	M20x1.5	16	44	27	27	30	4 ÷ 12
<b>PM20EB-KIT</b>	M20x1.5	16	44	30	30	33	5 ÷ 14
<b>PM25B-KIT</b>	M25x1.5	16	44	31	33	35	9 ÷ 17
<b>PM32B-KIT</b>	M32x1.5	16	51	41	44	46	14 ÷ 23
<b>PM40B-KIT</b>	M40x1.5	18	51	46	48	51	20 ÷ 29
<b>PM50B-KIT</b>	M50x1.5	18	51	56	58	62	20 ÷ 35
<b>PM63B-KIT</b>	M63x1.5	18	51	70	68	76	35 ÷ 45
<b>PM75B-KIT</b>	M75x1.5	22	59	82	82	90	45 ÷ 56
<b>PM85B-KIT</b>	M85x1.5	22	59	94	100	104	56 ÷ 68
<b>PM90B-KIT</b>	M90x1.5	22	59	102	110	112	62 ÷ 74

The code for Inox AISI 316L version has the letter "S" on final. Es. **PMIS-KIT**

ATEX & IECEx Equipment Data		
<b>Gas</b>	Group II Zone 1	II 2G Ex db IIC Gb Ex eb IIC Gb
<b>Dust</b>	Group II Zone 21	II 2D Ex tb IIIC Db IP66
ATEX Certificate		IECEx Certificate
INERIS 10 ATEX 0029X		IECEx INE 14.0003X

### Options available

- Fully stainless steel AISI 316L construction
- Red silicon sealings rings with operating temperature range from -60°C up to 180°C

# UNARMoured CABLE

## PMF Series

Explosion proof cable gland single compression with rotating bushing female entry to be coupled to a rigid or flexible conduit attachment thread.

Note: even if tightened the bushing can rotate by 360°.

### Features

**Material used:** nickel plated brass CW614N

**Operating temperature:** -40°C up to 100°C with EPDM sealing rings

**NPT thread:** from 3/8" up to 3"

**ISO 262 thread:** from M16x1.5 up to M90x1.5

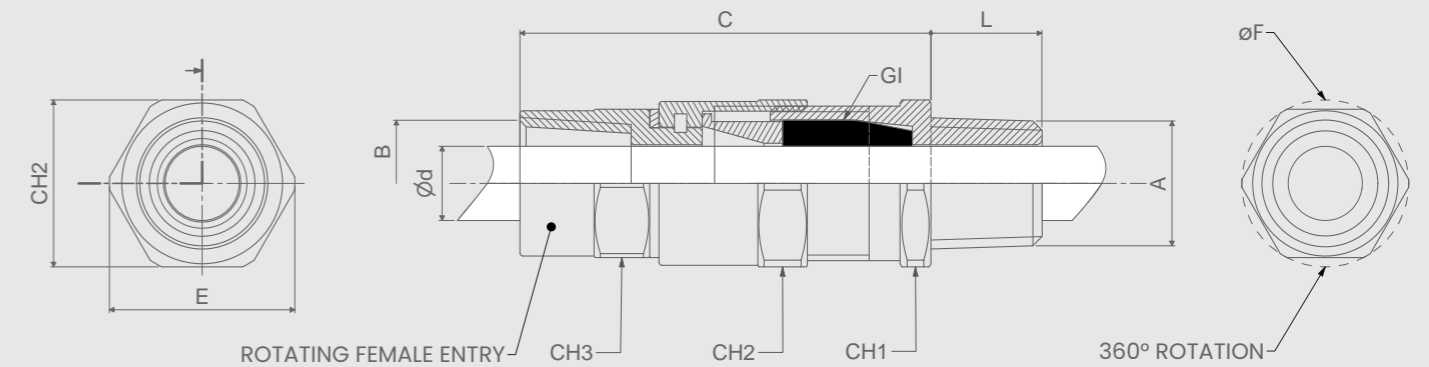
**Degree of protection:** IP66

**Unarmoured cable clamping range:** from ø 2mm up to ø 74mm

All cable glands are supplied with a full set of sealing rings (GI rings, see table) in various diameter range.



# UNARMoured CABLE



NOTE: EVEN IF TIGHTENED THE BUSHING CAN ROTATE BY 360°

Code	A	B	L	C	CH1	CH2	CH3	E	F	ød range
<b>NPT</b>										
<b>PMF38B-KIT</b>	3/8" NPT	3/8" NPT	16	66	22	24	20	25	22	2 ÷ 8
<b>PMF1B-KIT</b>	1/2" NPT	1/2" NPT	18	66	27	27	24	30	27	4 ÷ 12
<b>PMF1EB-KIT</b>	1/2" NPT	1/2" NPT	18	66	30	30	27	33	30	5 ÷ 14
<b>PMF2B-KIT</b>	3/4" NPT	3/4" NPT	18	66	31	33	32	35	36	9 ÷ 17
<b>PMF3B-KIT</b>	1" NPT	1" NPT	23	79	41	44	38	46	43	14 ÷ 23
<b>PMF4B-KIT</b>	1.1/4" NPT	1.1/4" NPT	23	79	46	48	46	51	52	20 ÷ 29
<b>PMF5B-KIT</b>	1.1/2" NPT	1.1/2" NPT	23	79	56	58	56	62	63	20 ÷ 35
<b>PMF6B-KIT</b>	2" NPT	2" NPT	23	79	64	68	68	76	76	35 ÷ 45
<b>PMF7B-KIT</b>	2.1/2" NPT	2.1/2" NPT	28	87	78	82	82	90	90	45 ÷ 56
<b>PMF8B-KIT</b>	3" NPT	3" NPT	28	87	94	100	98	104	108	56 ÷ 68
<b>ISO</b>										
<b>PMF16B-KIT</b>	M16x1.5	M16x1.5	16	66	22	24	20	25	22	2 ÷ 8
<b>PMF20B-KIT</b>	M20x1.5	M20x1.5	16	66	27	27	24	30	27	4 ÷ 12
<b>PMF20EB-KIT</b>	M20x1.5	M20x1.5	16	66	30	30	27	33	30	5 ÷ 14
<b>PMF25B-KIT</b>	M25x1.5	M25x1.5	16	66	31	33	32	35	36	9 ÷ 17
<b>PMF32B-KIT</b>	M32x1.5	M32x1.5	16	79	41	44	38	46	43	14 ÷ 23
<b>PMF40B-KIT</b>	M40x1.5	M40x1.5	18	79	46	48	46	51	52	20 ÷ 29
<b>PMF50B-KIT</b>	M50x1.5	M50x1.5	18	79	56	58	56	62	63	20 ÷ 35
<b>PMF63B-KIT</b>	M63x1.5	M63x1.5	18	79	70	68	68	76	76	35 ÷ 45
<b>PMF75B-KIT</b>	M75x1.5	M75x1.5	22	87	82	82	82	90	90	45 ÷ 56
<b>PMF85B-KIT</b>	M85x1.5	M85x1.5	22	87	94	100	93	104	103	56 ÷ 68

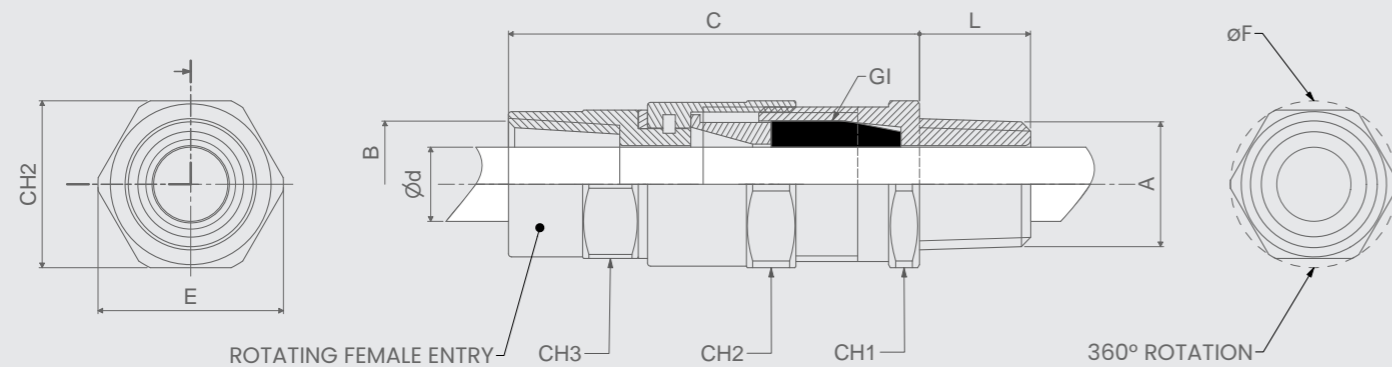
The code for Inox AISI 316L version has the letter "S" on final. Es. **PMF1S-KIT**

ATEX & IECEx Equipment Data		
<b>Gas</b>	Group II Zone 1	II 2G Ex db IIC Gb Ex eb IIC Gb
<b>Dust</b>	Group II Zone 21	II 2D Ex tb IIIC Db IP66
ATEX Certificate		IECEx Certificate
INERIS 10 ATEX 0029X		IECEx INE 14.0003X

### Options available

- Fully stainless steel AISI 316L construction
- Red silicon sealings rings with operating temperature range from -60°C up to 180°C

PMF Series - Mixed configuration



NOTE: EVEN IF TIGHTENED THE BUSHING CAN ROTATE BY 360°

Code	A	B	L	C	CH1	CH2	CH3	E	F	ød range
PMF3816B-KIT	3/8" NPT	M16x1.5	16	66	22	24	20	25	22	2 ÷ 8
PMF120B-KIT	1/2" NPT	M20x1.5	18	66	27	27	24	30	27	4 ÷ 12
PMF1E20B-KIT	1/2" NPT	M20x1.5	18	66	30	30	27	33	30	5 ÷ 14
PMF225B-KIT	3/4" NPT	M25x1.5	18	66	31	33	32	35	36	9 ÷ 17
PMF332B-KIT	1" NPT	M32x1.5	23	79	41	44	38	46	43	14 ÷ 23
PMF440B-KIT	1.1/4" NPT	M40x1.5	23	79	46	48	46	51	52	20 ÷ 29
PMF550B-KIT	1.1/2" NPT	M50x1.5	23	79	56	58	56	62	63	20 ÷ 35
PMF663B-KIT	2" NPT	M63x1.5	23	79	64	68	68	76	76	35 ÷ 45
PMF775B-KIT	2.1/2" NPT	M75x1.5	28	87	78	82	82	90	90	45 ÷ 56
PMF885B-KIT	3" NPT	M85x1.5	28	87	94	100	98	104	108	56 ÷ 68
PMF1638B-KIT	M16x1.5	3/8" NPT	16	66	22	24	20	25	22	2 ÷ 8
PMF201B-KIT	M20x1.5	1/2" NPT	16	66	27	27	24	30	27	4 ÷ 12
PMF20E1B-KIT	M20x1.5	1/2" NPT	16	66	30	30	27	33	30	5 ÷ 14
PMF252B-KIT	M25x1.5	3/4" NPT	16	66	31	33	32	35	36	9 ÷ 17
PMF323B-KIT	M32x1.5	1" NPT	16	79	41	44	38	46	43	14 ÷ 23
PMF404B-KIT	M40x1.5	1.1/4" NPT	18	79	46	48	46	51	52	20 ÷ 29
PMF505B-KIT	M50x1.5	1.1/2" NPT	18	79	56	58	56	62	63	20 ÷ 35
PMF636B-KIT	M63x1.5	2" NPT	18	79	70	68	68	76	76	35 ÷ 45
PMF757B-KIT	M75x1.5	2.1/2" NPT	22	87	82	82	82	90	90	45 ÷ 56
PMF858B-KIT	M85x1.5	3" NPT	22	87	94	100	93	104	103	56 ÷ 68

The code for Inox AISI 316L version has the letter "S" on final. Es. PMF120S-KIT

# UNARMoured CABLE

## PMM Series

Explosion proof cable gland single compression with rotating bushing male entry to be coupled to a rigid or flexible conduit attachment thread.

Note: even if tightened the bushing can rotate by 360°.

### Features

**Material used:** nickel plated brass CW614N

**Operating temperature:** -40°C up to 100°C with EPDM sealing rings

**NPT thread:** from 3/8" up to 3"

**ISO 262 thread:** from M16x1.5 up to M90x1.5

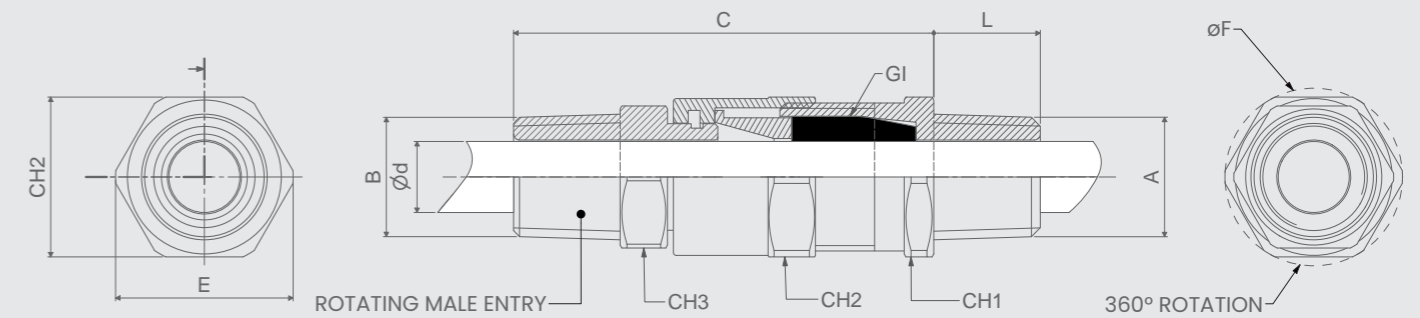
**Degree of protection:** IP66

**Unarmoured cable clamping range:** from ø 2mm up to ø 74mm

All cable glands are supplied with a full set of sealing rings (GI rings, see table) in various diameter range.



# UNARMoured CABLE



NOTE: EVEN IF TIGHTENED THE BUSHING CAN ROTATE BY 360°

Code	A	B	L	C	CH1	CH2	CH3	E	F	ød range
<b>NPT</b>										
<b>PMM38B-KIT</b>	3/8"	3/8"	16	66	22	24	20	25	22	2 ÷ 8
<b>PMM1B-KIT</b>	1/2"	1/2"	18	66	27	27	24	30	27	4 ÷ 12
<b>PMM1EB-KIT</b>	1/2"	1/2"	18	66	30	30	27	33	30	5 ÷ 14
<b>PMM2B-KIT</b>	3/4"	3/4"	18	66	31	33	32	35	36	9 ÷ 17
<b>PMM3B-KIT</b>	1"	1"	23	79	41	44	38	46	43	14 ÷ 23
<b>PMM4B-KIT</b>	1.1/4"	1.1/4"	23	79	46	48	46	51	52	20 ÷ 29
<b>PMM5B-KIT</b>	1.1/2"	1.1/2"	23	79	56	58	56	62	63	20 ÷ 35
<b>PMM6B-KIT</b>	2"	2"	23	79	64	68	68	76	76	35 ÷ 45
<b>PMM7B-KIT</b>	2.1/2"	2.1/2"	28	87	78	82	82	90	90	45 ÷ 56
<b>PMM8B-KIT</b>	3"	3"	28	87	94	100	98	104	108	56 ÷ 68
<b>ISO</b>										
<b>PMM16B-KIT</b>	M16x1.5	M16x1.5	16	66	22	24	20	25	22	2 ÷ 8
<b>PMM20B-KIT</b>	M20x1.5	M20x1.5	16	66	27	27	24	30	27	4 ÷ 12
<b>PMM20EB-KIT</b>	M20x1.5	M20x1.5	16	66	30	30	27	33	30	5 ÷ 14
<b>PMM25B-KIT</b>	M25x1.5	M25x1.5	16	66	31	33	32	35	36	9 ÷ 17
<b>PMM32B-KIT</b>	M32x1.5	M32x1.5	16	79	41	44	38	46	43	14 ÷ 23
<b>PMM40B-KIT</b>	M40x1.5	M40x1.5	18	79	46	48	46	51	52	20 ÷ 29
<b>PMM50B-KIT</b>	M50x1.5	M50x1.5	18	79	56	58	56	62	63	20 ÷ 35
<b>PMM63B-KIT</b>	M63x1.5	M63x1.5	18	79	70	68	68	76	76	35 ÷ 45
<b>PMM75B-KIT</b>	M75x1.5	M75x1.5	22	87	82	82	82	90	90	45 ÷ 56
<b>PMM85B-KIT</b>	M85x1.5	M85x1.5	22	87	94	100	93	104	103	56 ÷ 68

The code for Inox AISI 316L version has the letter "S" on final. Es. **PMMIS-KIT**

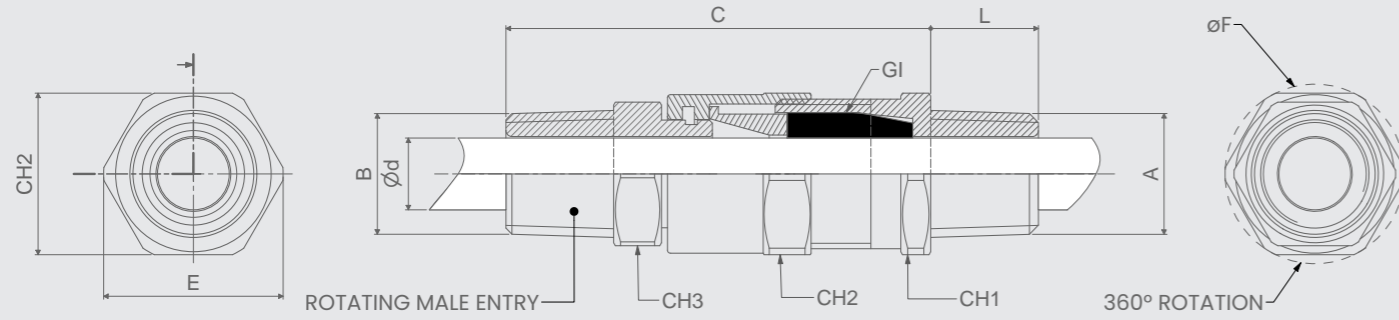
ATEX & IECEx Equipment Data		
<b>Gas</b>	Group II Zone 1	II 2G Ex db IIC Gb Ex eb IIC Gb
<b>Dust</b>	Group II Zone 21	II 2D Ex tb IIIC Db IP66
ATEX Certificate		IECEx Certificate
INERIS 10 ATEX 0029X		IECEx INE 14.0003X

### Options available

- Fully stainless steel AISI 316L construction
- Red silicon sealings rings with operating temperature range from -60°C up to 180°C



**PMM Series - Mixed configuration**



NOTE: EVEN IF TIGHTENED THE BUSHING CAN ROTATE BY 360°

All cable glands are supplied with a full set of sealing rings (GI rings, see table) in various diameter range.

Code	A	B	L	C	CH1	CH2	CH3	E	F	Ød range
<b>PMM3816B-KIT</b>	3/8" NPT	M16x1.5	16	66	22	24	20	25	22	2 ÷ 8
<b>PMM120B-KIT</b>	1/2" NPT	M20x1.5	18	66	27	27	24	30	27	4 ÷ 12
<b>PMM1E20B-KIT</b>	1/2" NPT	M20x1.5	18	66	30	30	27	33	30	5 ÷ 14
<b>PMM225B-KIT</b>	3/4" NPT	M25x1.5	18	66	31	33	32	35	36	9 ÷ 17
<b>PMM332B-KIT</b>	1" NPT	M32x1.5	23	79	41	44	38	46	43	14 ÷ 23
<b>PMM440B-KIT</b>	1.1/4" NPT	M40x1.5	23	79	46	48	46	51	52	20 ÷ 29
<b>PMM550B-KIT</b>	1.1/2" NPT	M50x1.5	23	79	56	58	56	62	63	20 ÷ 35
<b>PMM663B-KIT</b>	2" NPT	M63x1.5	23	79	64	68	68	76	76	35 ÷ 45
<b>PMM775B-KIT</b>	2.1/2" NPT	M75x1.5	28	87	78	82	82	90	90	45 ÷ 56
<b>PMM885B-KIT</b>	3" NPT	M85x1.5	28	87	94	100	98	104	108	56 ÷ 68
<b>PMM1638B-KIT</b>	M16x1.5	3/8" NPT	16	66	22	24	20	25	22	2 ÷ 8
<b>PMM201B-KIT</b>	M20x1.5	1/2" NPT	16	66	27	27	24	30	27	4 ÷ 12
<b>PMM20E1B-KIT</b>	M20x1.5	1/2" NPT	16	66	30	30	27	33	30	5 ÷ 14
<b>PMM252B-KIT</b>	M25x1.5	3/4" NPT	16	66	31	33	32	35	36	9 ÷ 17
<b>PMM323B-KIT</b>	M32x1.5	1" NPT	16	79	41	44	38	46	43	14 ÷ 23
<b>PMM404B-KIT</b>	M40x1.5	1.1/4" NPT	18	79	46	48	46	51	52	20 ÷ 29
<b>PMM505B-KIT</b>	M50x1.5	1.1/2" NPT	18	79	56	58	56	62	63	20 ÷ 35
<b>PMM636B-KIT</b>	M63x1.5	2" NPT	18	79	70	68	68	76	76	35 ÷ 45
<b>PMM757B-KIT</b>	M75x1.5	2.1/2" NPT	22	87	82	82	82	90	90	45 ÷ 56
<b>PMM858B-KIT</b>	M85x1.5	3" NPT	22	87	94	100	93	104	103	56 ÷ 68

The code for Inox AISI 316L version has the letter "S" on final. Es. **PMM120S-KIT**

## PMS Series

Explosion proof cable gland single compression with fast clamping for flexible conduit.

### Features

**Material used:** nickel plated brass CW614N

**Operating temperature:** -40°C up to 100°C with EPDM sealing rings

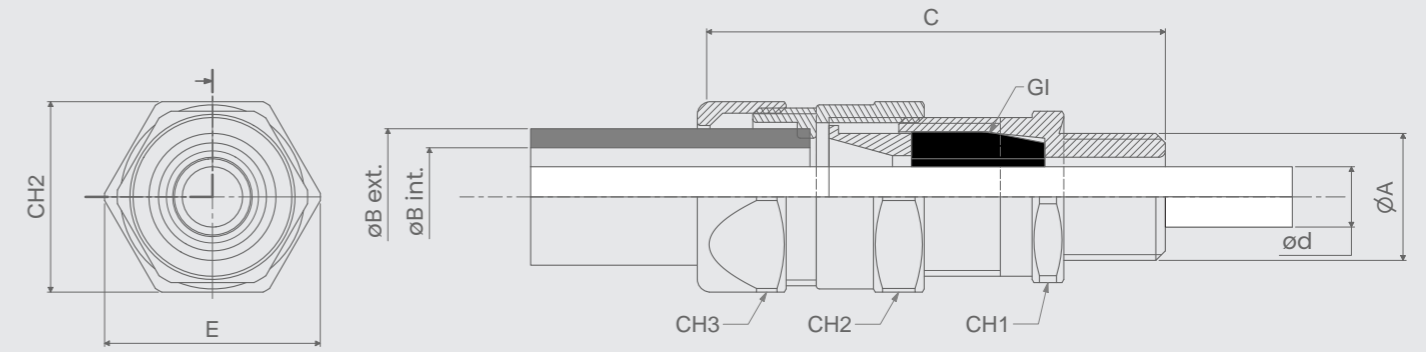
**NPT thread:** from 3/8" up to 3"

**ISO 262 thread:** from M16x1.5 up to M90x1.5

**Degree of protection:** IP66

**Unarmoured cable clamping range:** from  $\varnothing$  2mm up to  $\varnothing$  74mm

All cable glands are supplied with a full set of sealing rings (GI rings, see table) in various diameter range.



Code	A	L	C	CH1	CH2	E	ød range	øB Int.	øB Ext.	Conduit Code
<b>NPT</b>										
<b>PMS38B-KIT</b>	3/8" NPT	16	58	22	24	25	2 ÷ 8	10	10,5	DMC210
<b>PMS1B-KIT</b>	1/2" NPT	18	58	27	27	30	4 ÷ 12	15,5	15,5	DMC216
<b>PMS1EB-KIT</b>	1/2" NPT	18	58	30	30	33	5 ÷ 14	15,5	21,5	DMC216
<b>PMS2B-KIT</b>	3/4" NPT	18	58	31	33	35	9 ÷ 17	20,5	27	DMC221
<b>PMS3B-KIT</b>	1" NPT	23	67	41	44	46	14 ÷ 23	26,5	33	DMC227
<b>PMS4B-KIT</b>	1.1/4" NPT	23	67	46	48	51	20 ÷ 29	34,5	43	DMC235
<b>PMS5B-KIT</b>	1.1/2" NPT	23	67	56	58	62	20 ÷ 35	39,5	48	DMC240
<b>PMS6B-KIT</b>	2" NPT	23	67	64	68	76	35 ÷ 45	50,5	60	DMC250
<b>PMS7B-KIT</b>	2.1/2" NPT	28	76	78	82	90	45 ÷ 56	63	73	DMC263
<b>PMS8B-KIT</b>	3" NPT	28	76	94	100	104	56 ÷ 68	77	88	DMC277
<b>PMS9B-KIT</b>	3" NPT	28	76	102	110	112	62 ÷ 74	77	88	DMC277
<b>ISO</b>										
<b>PMS16B-KIT</b>	M16x1.5	16	58	22	24	25	2 ÷ 8	10	10,5	DMC210
<b>PMS20B-KIT</b>	M20x1.5	16	58	27	27	30	4 ÷ 12	15,5	15,5	DMC216
<b>PMS20EB-KIT</b>	M20x1.5	16	58	30	30	33	5 ÷ 14	15,5	21,5	DMC216
<b>PMS25B-KIT</b>	M25x1.5	16	58	31	33	35	9 ÷ 17	20,5	27	DMC221
<b>PMS32B-KIT</b>	M32x1.5	16	67	41	44	46	14 ÷ 23	26,5	33	DMC227
<b>PMS40B-KIT</b>	M40x1.5	18	67	46	48	51	20 ÷ 29	34,5	43	DMC235
<b>PMS50B-KIT</b>	M50x1.5	18	67	56	58	62	20 ÷ 35	39,5	48	DMC240
<b>PMS63B-KIT</b>	M63x1.5	18	67	70	68	76	35 ÷ 45	50,5	60	DMC250
<b>PMS75B-KIT</b>	M75x1.5	22	76	82	82	90	45 ÷ 56	63	73	DMC263
<b>PMS85B-KIT</b>	M85x1.5	22	76	94	100	104	56 ÷ 68	77	88	DMC277
<b>PMS90B-KIT</b>	M90x1.5	22	76	102	110	112	62 ÷ 74	77	88	DMC277

The code for Inox AISI 316L version has the letter "S" on final. Es. **PMS1S-KIT**

ATEX & IECEx Equipment Data		
<b>Gas</b>	Group II Zone 1	II 2G Ex db IIC Gb Ex eb IIC Gb
<b>Dust</b>	Group II Zone 21	II 2D Ex tb IIIC Db IP66
ATEX Certificate		IECEx Certificate
INERIS 10 ATEX 0029X		IECEx INE 14.0003X

### Options available

- Fully stainless steel AISI 316L construction
- Red silicon sealings rings with operating temperature range from -60°C up to 180°C

# UNARMoured CABLE

## PMX Series - Barrier version

Explosion proof barrier cable gland single compression with male thread suitable for all type of unarmoured cable.

### Features

**Resinable bushing:** with filling compound epoxide resin REPM-1

**Material used:** nickel plated brass CW614N

**Operating temperature:** -40°C up to 100°C with EPDM sealing rings

**NPT thread:** from 3/8" up to 3"

**ISO 262 thread:** from M16x1.5 up to M90x1.5

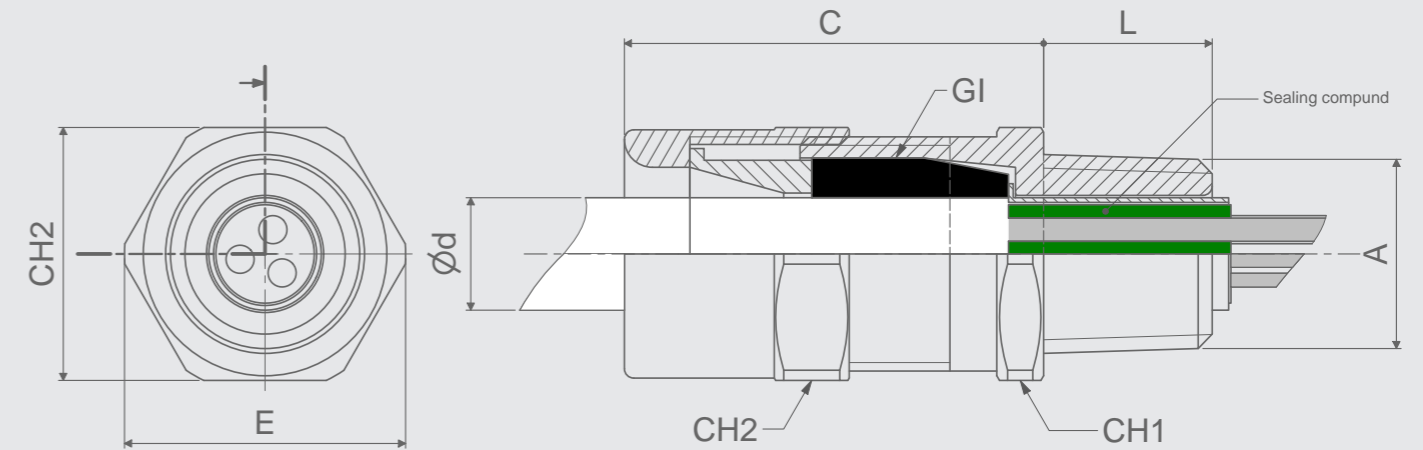
**Degree of protection:** IP66

**Unarmoured cable clamping range:** from  $\varnothing$  2mm up to  $\varnothing$  74mm

All cable glands are supplied with a full set of sealing rings (GI rings, see table) in various diameter range.



# UNARMoured CABLE



Code	A	L	C	CH1	CH2	E	$\varnothing d$ range
<b>NPT</b>							
<b>PMX38B-KIT</b>	3/8" NPT	16	44	22	24	25	2 ÷ 8
<b>PMX1B-KIT</b>	1/2" NPT	18	44	27	27	30	4 ÷ 12
<b>PMX1EB-KIT</b>	1/2" NPT	18	44	30	30	33	5 ÷ 14
<b>PMX2B-KIT</b>	3/4" NPT	18	44	31	33	35	9 ÷ 17
<b>PMX3B-KIT</b>	1" NPT	23	51	41	44	46	14 ÷ 23
<b>PMX4B-KIT</b>	1.1/4" NPT	23	51	46	48	51	20 ÷ 29
<b>PMX5B-KIT</b>	1.1/2" NPT	23	51	56	58	62	20 ÷ 35
<b>PMX6B-KIT</b>	2" NPT	23	51	64	68	76	35 ÷ 45
<b>PMX7B-KIT</b>	2.1/2" NPT	28	59	78	82	90	45 ÷ 56
<b>PMX8B-KIT</b>	3" NPT	28	59	94	100	104	56 ÷ 68
<b>PMX9B-KIT</b>	3" NPT	28	59	102	110	112	62 ÷ 74
<b>ISO</b>							
<b>PMX16B-KIT</b>	M16x1.5	16	44	22	24	25	2 ÷ 8
<b>PMX20B-KIT</b>	M20x1.5	16	44	27	27	30	4 ÷ 12
<b>PMX20EB-KIT</b>	M20x1.5	16	44	30	30	33	5 ÷ 14
<b>PMX25B-KIT</b>	M25x1.5	16	44	31	33	35	9 ÷ 17
<b>PMX32B-KIT</b>	M32x1.5	16	51	41	44	46	14 ÷ 23
<b>PMX40B-KIT</b>	M40x1.5	18	51	46	48	51	20 ÷ 29
<b>PMX50B-KIT</b>	M50x1.5	18	51	56	58	62	20 ÷ 35
<b>PMX63B-KIT</b>	M63x1.5	18	51	70	68	76	35 ÷ 45
<b>PMX75B-KIT</b>	M75x1.5	22	59	82	82	90	45 ÷ 56
<b>PMX85B-KIT</b>	M85x1.5	22	59	94	100	104	56 ÷ 68
<b>PMX90B-KIT</b>	M90x1.5	22	59	102	110	112	62 ÷ 74

The code for Inox AISI 316L version has the letter "S" on final. Es. **PMX1S-KIT**

ATEX & IECEx Equipment Data		
<b>Gas</b>	Group II Zone 1	II 2G Ex db IIC Gb Ex eb IIC Gb
<b>Dust</b>	Group II Zone 21	II 2D Ex tb IIIC Db IP66
ATEX Certificate		IECEx Certificate
INERIS 10 ATEX 0029X		IECEx INE 14.0003X

### Options available

- Fully stainless steel AISI 316L construction
- Red silicon sealings rings with operating temperature range from -60°C up to 180°C

## PMFX Series – Barrier version

Explosion proof barrier cable gland single compression with rotating bushing female entry to be coupled to a rigid or flexible conduit attachment thread.  
 Note: even if tightened the bushing can rotate by 360°.

### Features

**Resinable bushing:** with filling compound epoxide resin REPM-1

**Material used:** nickel plated brass CW614N

**Operating temperature:** -40°C up to 100°C with EPDM sealing rings

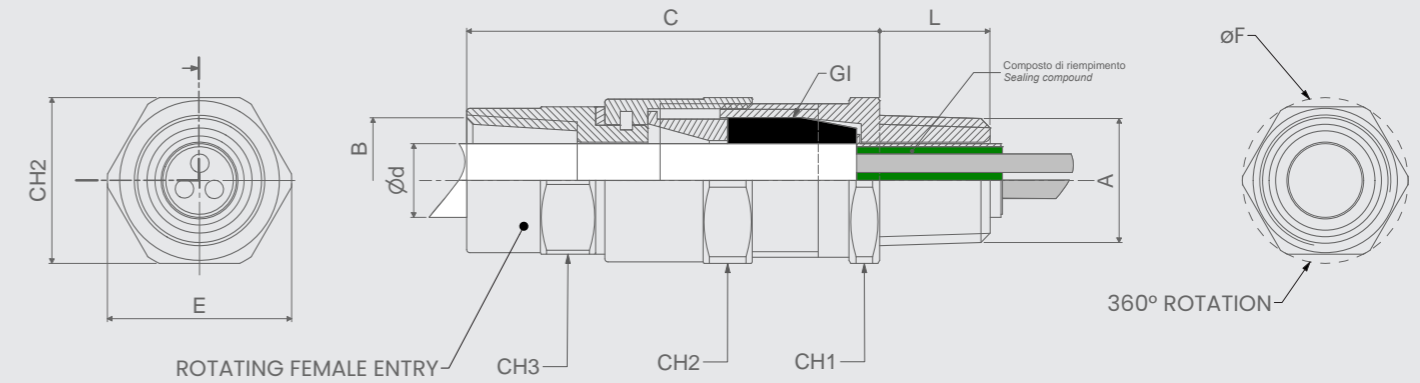
**NPT thread:** from 3/8" up to 3"

**ISO 262 thread:** from M16x1.5 up to M90x1.5

**Degree of protection:** IP66

**Unarmoured cable clamping range:** from ø 2mm up to ø 74mm

All cable glands are supplied with a full set of sealing rings (GI rings, see table) in various diameter range.



NOTE: EVEN IF TIGHTENED THE BUSHING CAN ROTATE BY 360°

Code	A	B	L	C	CH1	CH2	CH3	E	F	ød range
<b>NPT</b>										
<b>PMFX38B-KIT</b>	3/8" NPT	3/8" NPT	16	66	22	24	20	25	22	2 ÷ 8
<b>PMFX1B-KIT</b>	1/2" NPT	1/2" NPT	18	66	27	27	24	30	27	4 ÷ 12
<b>PMFX1EB-KIT</b>	1/2" NPT	1/2" NPT	18	66	30	30	27	33	30	5 ÷ 14
<b>PMFX2B-KIT</b>	3/4" NPT	3/4" NPT	18	66	31	33	32	35	36	9 ÷ 17
<b>PMFX3B-KIT</b>	1" NPT	1" NPT	23	79	41	44	38	46	43	14 ÷ 23
<b>PMFX4B-KIT</b>	1.1/4" NPT	1.1/4" NPT	23	79	46	48	46	51	52	20 ÷ 29
<b>PMFX5B-KIT</b>	1.1/2" NPT	1.1/2" NPT	23	79	56	58	56	62	63	20 ÷ 35
<b>PMFX6B-KIT</b>	2" NPT	2" NPT	23	79	64	68	68	76	76	35 ÷ 45
<b>PMFX7B-KIT</b>	2.1/2" NPT	2.1/2" NPT	28	87	78	82	82	90	90	45 ÷ 56
<b>PMFX8B-KIT</b>	3" NPT	3" NPT	28	87	94	100	98	104	108	56 ÷ 68
<b>ISO</b>										
<b>PMFX16B-KIT</b>	M16x1.5	M16x1.5	16	66	22	24	20	25	22	2 ÷ 8
<b>PMFX20B-KIT</b>	M20x1.5	M20x1.5	16	66	27	27	24	30	27	4 ÷ 12
<b>PMFX20EB-KIT</b>	M20x1.5	M20x1.5	16	66	30	30	27	33	30	5 ÷ 14
<b>PMFX25B-KIT</b>	M25x1.5	M25x1.5	16	66	31	33	32	35	36	9 ÷ 17
<b>PMFX32B-KIT</b>	M32x1.5	M32x1.5	16	79	41	44	38	46	43	14 ÷ 23
<b>PMFX40B-KIT</b>	M40x1.5	M40x1.5	18	79	46	48	46	51	52	20 ÷ 29
<b>PMFX50B-KIT</b>	M50x1.5	M50x1.5	18	79	56	58	56	62	63	20 ÷ 35
<b>PMFX63B-KIT</b>	M63x1.5	M63x1.5	18	79	70	68	68	76	76	35 ÷ 45
<b>PMFX75B-KIT</b>	M75x1.5	M75x1.5	22	87	82	82	82	90	90	45 ÷ 56
<b>PMFX85B-KIT</b>	M85x1.5	M85x1.5	22	87	94	100	93	104	103	56 ÷ 68

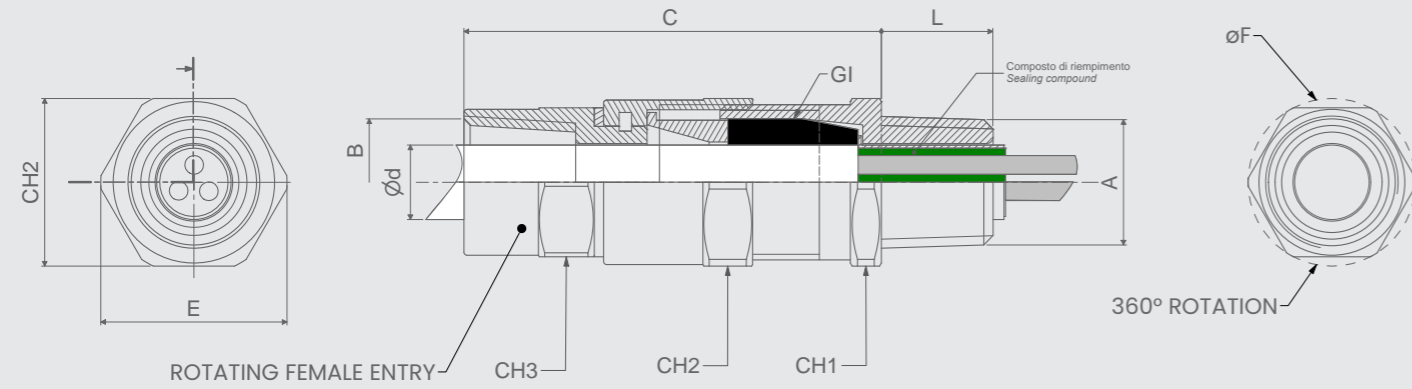
The code for Inox AISI 316L version has the letter "S" on final. Es. **PMFX1S-KIT**

ATEX & IECEx Equipment Data		
<b>Gas</b>	Group II Zone 1	II 2G Ex db IIC Gb Ex eb IIC Gb
<b>Dust</b>	Group II Zone 21	II 2D Ex tb IIIC Db IP66
ATEX Certificate		IECEx Certificate
INERIS 10 ATEX 0029X		IECEx INE 14.0003X

### Options available

- Fully stainless steel AISI 316L construction
- Red silicon sealings rings with operating temperature range from -60°C up to 180°C

**PMFX Series - Mixed configuration**



NOTE: EVEN IF TIGHTENED THE BUSHING CAN ROTATE BY 360°

All cable glands are supplied with a full set of sealing rings (GI rings, see table) in various diameter range.

Code	A	B	L	C	CH1	CH2	CH3	E	F	$\phi d$ range
<b>PMFX3816B-KIT</b>	3/8" NPT	M16x1.5	16	66	22	24	20	25	22	2 ÷ 8
<b>PMFX120B-KIT</b>	1/2" NPT	M20x1.5	18	66	27	27	24	30	27	4 ÷ 12
<b>PMFX1E20B-KIT</b>	1/2" NPT	M20x1.5	18	66	30	30	27	33	30	5 ÷ 14
<b>PMFX225B-KIT</b>	3/4" NPT	M25x1.5	18	66	31	33	32	35	36	9 ÷ 17
<b>PMFX332B-KIT</b>	1" NPT	M32x1.5	23	79	41	44	38	46	43	14 ÷ 23
<b>PMFX440B-KIT</b>	1.1/4" NPT	M40x1.5	23	79	46	48	46	51	52	20 ÷ 29
<b>PMFX550B-KIT</b>	1.1/2" NPT	M50x1.5	23	79	56	58	56	62	63	20 ÷ 35
<b>PMFX663B-KIT</b>	2" NPT	M63x1.5	23	79	64	68	68	76	76	35 ÷ 45
<b>PMFX775B-KIT</b>	2.1/2" NPT	M75x1.5	28	87	78	82	82	90	90	45 ÷ 56
<b>PMFX885B-KIT</b>	3" NPT	M85x1.5	28	87	94	100	98	104	108	56 ÷ 68
<b>PMFX1638B-KIT</b>	M16x1.5	3/8" NPT	16	66	22	24	20	25	22	2 ÷ 8
<b>PMFX201B-KIT</b>	M20x1.5	1/2" NPT	16	66	27	27	24	30	27	4 ÷ 12
<b>PMFX20E1B-KIT</b>	M20x1.5	1/2" NPT	16	66	30	30	27	33	30	5 ÷ 14
<b>PMFX252B-KIT</b>	M25x1.5	3/4" NPT	16	66	31	33	32	35	36	9 ÷ 17
<b>PMFX323B-KIT</b>	M32x1.5	1" NPT	16	79	41	44	38	46	43	14 ÷ 23
<b>PMFX404B-KIT</b>	M40x1.5	1.1/4" NPT	18	79	46	48	46	51	52	20 ÷ 29
<b>PMFX505B-KIT</b>	M50x1.5	1.1/2" NPT	18	79	56	58	56	62	63	20 ÷ 35
<b>PMFX636B-KIT</b>	M63x1.5	2" NPT	18	79	70	68	68	76	76	35 ÷ 45
<b>PMFX757B-KIT</b>	M75x1.5	2.1/2" NPT	22	87	82	82	82	90	90	45 ÷ 56
<b>PMFX858B-KIT</b>	M85x1.5	3" NPT	22	87	94	100	93	104	103	56 ÷ 68

The code for Inox AISI 316L version has the letter "S" on final. Es. **PMFX120S-KIT**

## PMMX Series – Barrier version

Explosion proof barrier cable gland single compression with rotating bushing male entry to be coupled to a rigid or flexible conduit attachment thread.

Note: even if tightened the bushing can rotate by 360°.

### Features

**Resinable bushing:** with filling compound epoxide resin REPM-1

**Material used:** nickel plated brass CW614N

**Operating temperature:** -40°C up to 100°C with EPDM sealing rings

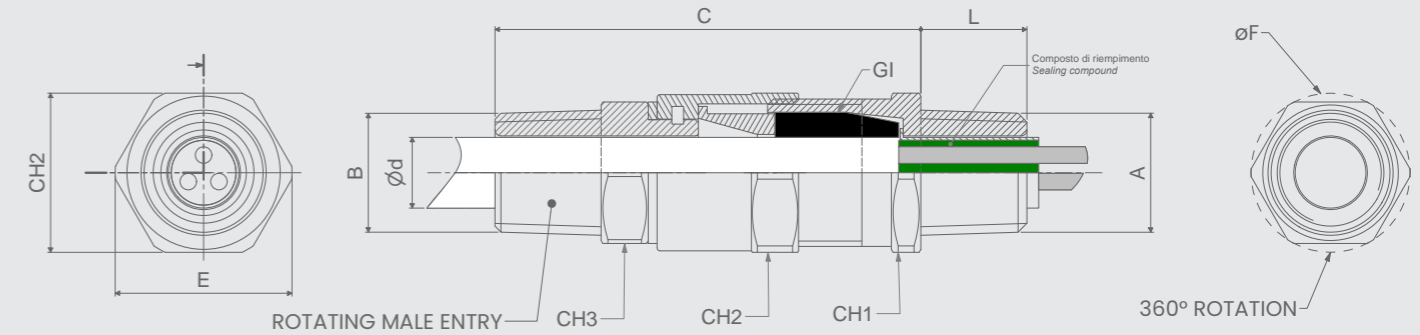
**NPT thread:** from 3/8" up to 3"

**ISO 262 thread:** from M16x1.5 up to M90x1.5

**Degree of protection:** IP66

**Unarmoured cable clamping range:** from ø 2mm up to ø 74mm

All cable glands are supplied with a full set of sealing rings (GI rings, see table) in various diameter range.



NOTE: EVEN IF TIGHTENED THE BUSHING CAN ROTATE BY 360°

Code	A	B	L	C	CH1	CH2	CH3	E	F	ød range
<b>NPT</b>										
<b>PMMX38B-KIT</b>	3/8" NPT	3/8" NPT	16	66	22	24	20	25	22	2 ÷ 8
<b>PMMX1B-KIT</b>	1/2" NPT	1/2" NPT	18	66	27	27	24	30	27	4 ÷ 12
<b>PMMX1EB-KIT</b>	1/2" NPT	1/2" NPT	18	66	30	30	27	33	30	5 ÷ 14
<b>PMMX2B-KIT</b>	3/4" NPT	3/4" NPT	18	66	31	33	32	35	36	9 ÷ 17
<b>PMMX3B-KIT</b>	1" NPT	1" NPT	23	79	41	44	38	46	43	14 ÷ 23
<b>PMMX4B-KIT</b>	1.1/4" NPT	1.1/4" NPT	23	79	46	48	46	51	52	20 ÷ 29
<b>PMMX5B-KIT</b>	1.1/2" NPT	1.1/2" NPT	23	79	56	58	56	62	63	20 ÷ 35
<b>PMMX6B-KIT</b>	2" NPT	2" NPT	23	79	64	68	68	76	76	35 ÷ 45
<b>PMMX7B-KIT</b>	2.1/2" NPT	2.1/2" NPT	28	87	78	82	82	90	90	45 ÷ 56
<b>PMMX8B-KIT</b>	3" NPT	3" NPT	28	87	94	100	98	104	108	56 ÷ 68
<b>ISO</b>										
<b>PMMX16B-KIT</b>	M16x1.5	M16x1.5	16	66	22	24	20	25	22	2 ÷ 8
<b>PMMX20B-KIT</b>	M20x1.5	M20x1.5	16	66	27	27	24	30	27	4 ÷ 12
<b>PMMX20EB-KIT</b>	M20x1.5	M20x1.5	16	66	30	30	27	33	30	5 ÷ 14
<b>PMMX25B-KIT</b>	M25x1.5	M25x1.5	16	66	31	33	32	35	36	9 ÷ 17
<b>PMMX32B-KIT</b>	M32x1.5	M32x1.5	16	79	41	44	38	46	43	14 ÷ 23
<b>PMMX40B-KIT</b>	M40x1.5	M40x1.5	18	79	46	48	46	51	52	20 ÷ 29
<b>PMMX50B-KIT</b>	M50x1.5	M50x1.5	18	79	56	58	56	62	63	20 ÷ 35
<b>PMMX63B-KIT</b>	M63x1.5	M63x1.5	18	79	70	68	68	76	76	35 ÷ 45
<b>PMMX75B-KIT</b>	M75x1.5	M75x1.5	22	87	82	82	82	90	90	45 ÷ 56
<b>PMMX85B-KIT</b>	M85x1.5	M85x1.5	22	87	94	100	93	104	103	56 ÷ 68

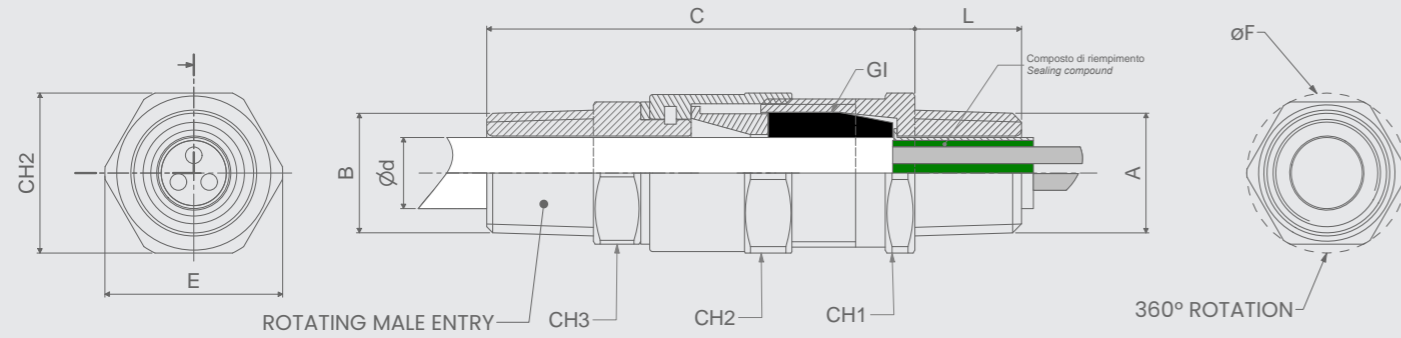
The code for Inox AISI 316L version has the letter "S" on final. Es. **PMMX1S-KIT**

ATEX & IECEx Equipment Data		
<b>Gas</b>	Group II Zone 1	II 2G Ex db IIC Gb Ex eb IIC Gb
<b>Dust</b>	Group II Zone 21	II 2D Ex tb IIIC Db IP66
ATEX Certificate		IECEx Certificate
INERIS 10 ATEX 0029X		IECEx INE 14.0003X

### Options available

- Fully stainless steel AISI 316L construction
- Red silicon sealings rings with operating temperature range from -60°C up to 180°C

**PMMX Series – Mixed configuration**



NOTE: EVEN IF TIGHTENED THE BUSHING CAN ROTATE BY 360°

All cable glands are supplied with a full set of sealing rings (GI rings, see table) in various diameter range.

Code	A	B	L	C	CH1	CH2	CH3	E	F	ød range
PMMX3816B-KIT	3/8" NPT	M16x1.5	16	66	22	24	20	25	22	2 ÷ 8
PMMX120B-KIT	1/2" NPT	M20x1.5	18	66	27	27	24	30	27	4 ÷ 12
PMMX1E20B-KIT	1/2" NPT	M20x1.5	18	66	30	30	27	33	30	5 ÷ 14
PMMX225B-KIT	3/4" NPT	M25x1.5	18	66	31	33	32	35	36	9 ÷ 17
PMMX332B-KIT	1" NPT	M32x1.5	23	79	41	44	38	46	43	14 ÷ 23
PMMX440B-KIT	1.1/4" NPT	M40x1.5	23	79	46	48	46	51	52	20 ÷ 29
PMMX550B-KIT	1.1/2" NPT	M50x1.5	23	79	56	58	56	62	63	20 ÷ 35
PMMX663B-KIT	2" NPT	M63x1.5	23	79	64	68	68	76	76	35 ÷ 45
PMMX775B-KIT	2.1/2" NPT	M75x1.5	28	87	78	82	82	90	90	45 ÷ 56
PMMX885B-KIT	3" NPT	M85x1.5	28	87	94	100	98	104	108	56 ÷ 68
PMMX1638B-KIT	M16x1.5	3/8" NPT	16	66	22	24	20	25	22	2 ÷ 8
PMMX201B-KIT	M20x1.5	1/2" NPT	16	66	27	27	24	30	27	4 ÷ 12
PMMX20E1B-KIT	M20x1.5	1/2" NPT	16	66	30	30	27	33	30	5 ÷ 14
PMMX252B-KIT	M25x1.5	3/4" NPT	16	66	31	33	32	35	36	9 ÷ 17
PMMX323B-KIT	M32x1.5	1" NPT	16	79	41	44	38	46	43	14 ÷ 23
PMMX404B-KIT	M40x1.5	1.1/4" NPT	18	79	46	48	46	51	52	20 ÷ 29
PMMX505B-KIT	M50x1.5	1.1/2" NPT	18	79	56	58	56	62	63	20 ÷ 35
PMMX636B-KIT	M63x1.5	2" NPT	18	79	70	68	68	76	76	35 ÷ 45
PMMX757B-KIT	M75x1.5	2.1/2" NPT	22	87	82	82	82	90	90	45 ÷ 56
PMMX858B-KIT	M85x1.5	3" NPT	22	87	94	100	93	104	103	56 ÷ 68

The code for Inox AISI 316L version has the letter "S" on final. Es. PMMX201S-KIT

# UNARMoured CABLE

## PMSX Series

Explosion proof cable gland single compression with fast clamping for flexible conduit.

### Features

**Resinable bushing:** with filling compound epoxide resin REPM-1

**Material used:** nickel plated brass CW614N

**Operating temperature:** -40°C up to 100°C with EPDM sealing rings

**NPT thread:** from 3/8" up to 3"

**ISO 262 thread:** from M16x1.5 up to M90x1.5

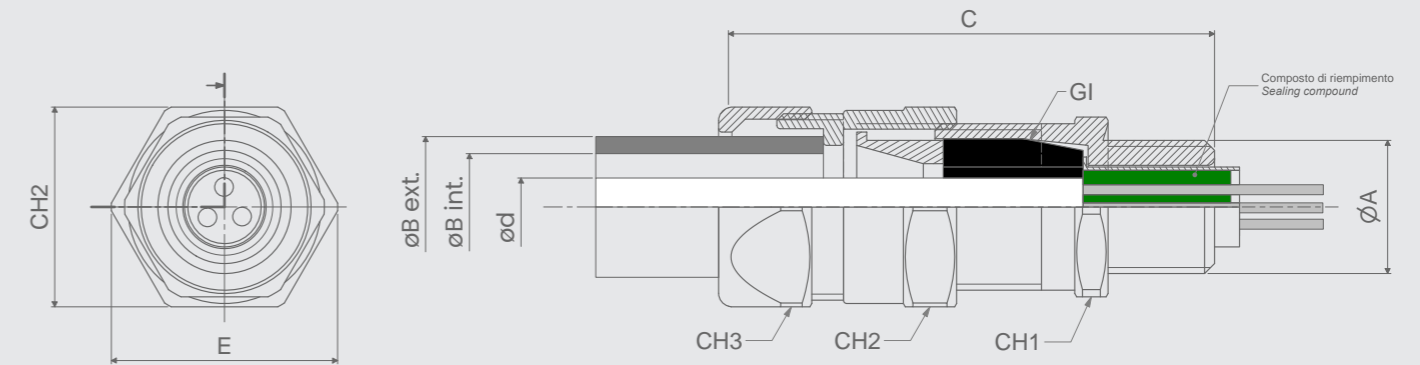
**Degree of protection:** IP66

**Unarmoured cable clamping range:** from  $\varnothing$  2mm up to  $\varnothing$  74mm

All cable glands are supplied with a full set of sealing rings (GI rings, see table) in various diameter range.



# UNARMoured CABLE



Code	A	L	C	CH1	CH2	E	ød range	øB Int.	øB Ext.	Conduit Code
<b>NPT</b>										
<b>PMSX38B-KIT</b>	3/8" NPT	16	58	22	24	25	2 ÷ 8	10	10,5	DMC210
<b>PMSX1EB-KIT</b>	1/2" NPT	18	58	27	27	30	4 ÷ 12	15,5	15,5	DMC216
<b>PMSX1B-KIT</b>	1/2" NPT	18	58	30	30	33	5 ÷ 14	15,5	21,5	DMC216
<b>PMSX2B-KIT</b>	3/4" NPT	18	58	31	33	35	9 ÷ 17	20,5	27	DMC221
<b>PMSX3B-KIT</b>	1" NPT	23	67	41	44	46	14 ÷ 23	26,5	33	DMC227
<b>PMSX4B-KIT</b>	1.1/4" NPT	23	67	46	48	51	20 ÷ 29	34,5	43	DMC235
<b>PMSX5B-KIT</b>	1.1/2" NPT	23	67	56	58	62	20 ÷ 35	39,5	48	DMC240
<b>PMSX6B-KIT</b>	2" NPT	23	67	64	68	76	35 ÷ 45	50,5	60	DMC250
<b>PMSX7B-KIT</b>	2.1/2" NPT	28	76	78	82	90	45 ÷ 56	63	73	DMC263
<b>PMSX8B-KIT</b>	3" NPT	28	76	94	100	104	56 ÷ 68	77	88	DMC277
<b>PMSX9B-KIT</b>	3" NPT	28	76	102	110	112	62 ÷ 74	77	88	DMC277
<b>ISO</b>										
<b>PMSX16B-KIT</b>	M16x1.5	16	58	22	24	25	2 ÷ 8	10	10,5	DMC210
<b>PMSX20B-KIT</b>	M20x1.5	16	58	27	27	30	4 ÷ 12	15,5	15,5	DMC216
<b>PMSX20EB-KIT</b>	M20x1.5	16	58	30	30	33	5 ÷ 14	15,5	21,5	DMC216
<b>PMSX25B-KIT</b>	M25x1.5	16	58	31	33	35	9 ÷ 17	20,5	27	DMC221
<b>PMSX32B-KIT</b>	M32x1.5	16	67	41	44	46	14 ÷ 23	26,5	33	DMC227
<b>PMSX40B-KIT</b>	M40x1.5	18	67	46	48	51	20 ÷ 29	34,5	43	DMC235
<b>PMSX50B-KIT</b>	M50x1.5	18	67	56	58	62	20 ÷ 35	39,5	48	DMC240
<b>PMSX63B-KIT</b>	M63x1.5	18	67	70	68	76	35 ÷ 45	50,5	60	DMC250
<b>PMSX75B-KIT</b>	M75x1.5	22	76	82	82	90	45 ÷ 56	63	73	DMC263
<b>PMSX85B-KIT</b>	M85x1.5	22	76	94	100	104	56 ÷ 68	77	88	DMC277
<b>PMSX90B-KIT</b>	M90x1.5	22	76	102	110	112	62 ÷ 74	77	88	DMC277

The code for Inox AISI 316L version has the letter "S" on final. Es. **PMSX1S-KIT**

ATEX & IECEx Equipment Data		
<b>Gas</b>	Group II Zone 1	II 2G Ex db IIC Gb Ex eb IIC Gb
<b>Dust</b>	Group II Zone 21	II 2D Ex tb IIIC Db IP66
ATEX Certificate		IECEx Certificate
INERIS 10 ATEX 0029X		IECEx INE 14.0003X

### Options available

- Fully stainless steel AISI 316L construction
- Red silicon sealings rings with operating temperature range from -60°C up to 180°C



## PA Series

Explosion proof cable gland single compression with male thread suitable for all type of armoured cable.

### Features

**Material used:** nickel plated brass CW614N

**Operating temperature:** -40°C up to 100°C with EPDM sealing rings

**NPT thread:** from 3/8" up to 3"

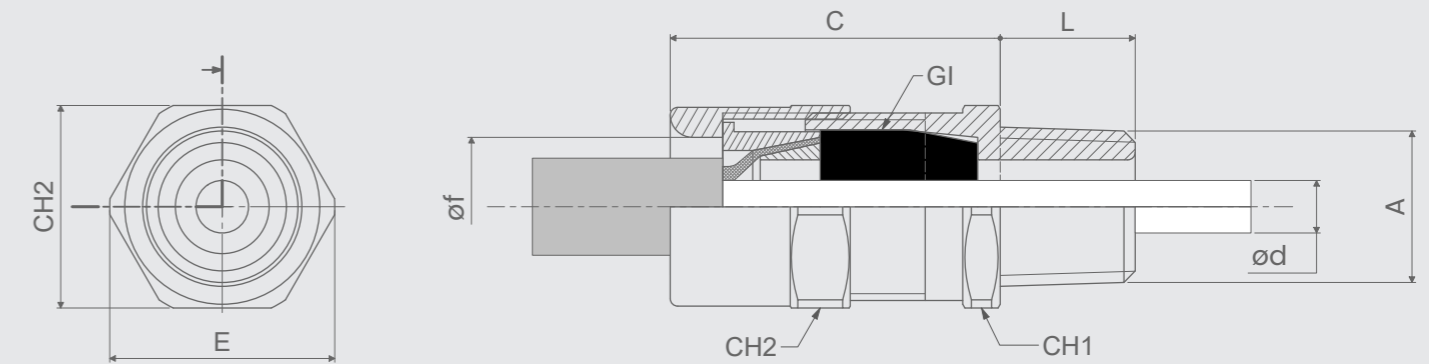
**ISO 262 thread:** from M16x1.5 up to M90x1.5

**Degree of protection:** IP66

**Unarmoured cable clamping range:** from  $\varnothing$  2mm up to  $\varnothing$  74mm

**Armoured cable clamping range:** from  $\varnothing$  5mm up to  $\varnothing$  84mm

All cable glands are supplied with a full set of sealing rings (GI rings, see table) in various diameter range.



Code	A	L	C	CH1	CH2	E	øf	ød range
<b>NPT</b>								
<b>PA38B-KIT</b>	3/8" NPT	16	44	22	24	25	13,5	2 ÷ 8
<b>PA1B-KIT</b>	1/2" NPT	18	44	27	27	30	18,5	4 ÷ 12
<b>PA1EB-KIT</b>	1/2" NPT	18	44	30	30	33	20,5	5 ÷ 14
<b>PA2B-KIT</b>	3/4" NPT	18	44	31	33	35	23,5	9 ÷ 17
<b>PA3B-KIT</b>	1" NPT	23	51	41	44	46	30,5	14 ÷ 23
<b>PA4B-KIT</b>	1.1/4" NPT	23	51	46	48	51	36	20 ÷ 29
<b>PA5B-KIT</b>	1.1/2" NPT	23	51	56	58	62	44	20 ÷ 35
<b>PA6B-KIT</b>	2" NPT	23	51	64	68	76	53	35 ÷ 45
<b>PA7B-KIT</b>	2.1/2" NPT	28	59	78	82	90	66	45 ÷ 56
<b>PA8B-KIT</b>	3" NPT	28	59	94	100	104	79	56 ÷ 68
<b>PA9B-KIT</b>	3" NPT	28	59	102	110	112	85	62 ÷ 74
<b>ISO</b>								
<b>PA16B-KIT</b>	M16x1.5	16	44	22	24	25	13,5	2 ÷ 8
<b>PA20B-KIT</b>	M20x1.5	16	44	27	27	30	18,5	4 ÷ 12
<b>PA20EB-KIT</b>	M20x1.5	16	44	30	30	33	20,5	5 ÷ 14
<b>PA25B-KIT</b>	M25x1.5	16	44	31	33	35	23,5	9 ÷ 17
<b>PA32B-KIT</b>	M32x1.5	16	51	41	44	46	30,5	14 ÷ 23
<b>PA40B-KIT</b>	M40x1.5	18	51	46	48	51	36	20 ÷ 29
<b>PA50B-KIT</b>	M50x1.5	18	51	56	58	62	44	20 ÷ 35
<b>PA63B-KIT</b>	M63x1.5	18	51	70	68	76	53	35 ÷ 45
<b>PA75B-KIT</b>	M75x1.5	22	59	82	82	90	66	45 ÷ 56
<b>PA85B-KIT</b>	M85x1.5	22	59	94	100	104	79	56 ÷ 68
<b>PA90B-KIT</b>	M90x1.5	22	59	102	110	112	85	62 ÷ 74

The code for Inox AISI 316L version has the letter "S" on final. Es. **PA1S-KIT**

ATEX & IECEx Equipment Data		
<b>Gas</b>	Group II Zone 1	II 2G Ex db IIC Gb Ex eb IIC Gb
<b>Dust</b>	Group II Zone 21	II 2D Ex tb IIIC Db IP66
ATEX Certificate		IECEx Certificate
INERIS 10 ATEX 0029X		IECEx INE 14.0003X

### Options available

- Fully stainless steel AISI 316L construction
- Red silicon sealings rings with operating temperature range from -60°C up to 180°C

## PMFA Series

Explosion proof barrier cable gland single compression with rotating bushing female entry to be coupled to a rigid or flexible conduit attachment thread.

Note: even if tightened the bushing can rotate by 360°.

### Features

**Material used:** nickel plated brass CW614N

**Operating temperature:** -40°C up to 100°C with EPDM sealing rings

**NPT thread:** from 3/8" up to 3"

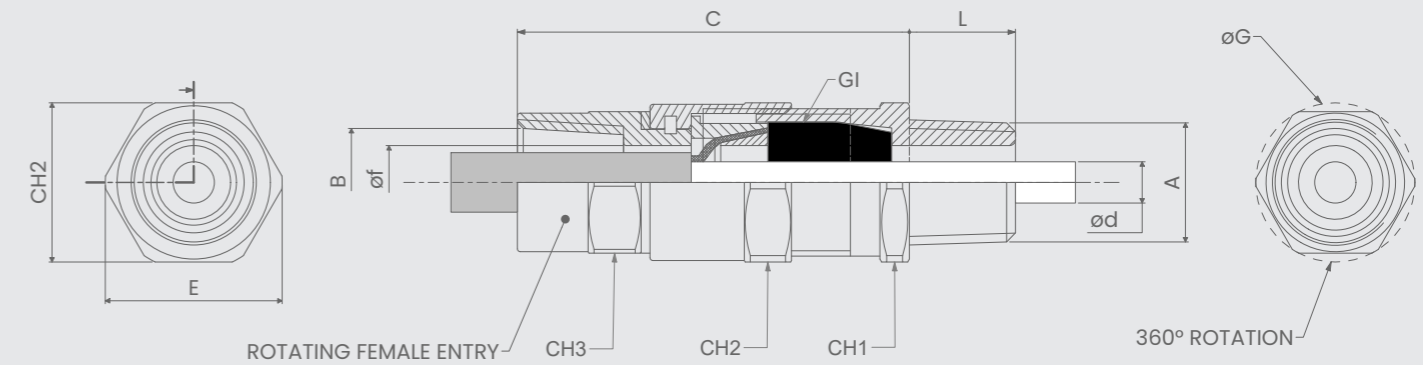
**ISO 262 thread:** from M16x1.5 up to M90x1.5

**Degree of protection:** IP66

**Unarmoured cable clamping range:** from ø 2mm up to ø 74mm

**Armoured cable clamping range:** from ø 5mm up to ø 84mm

All cable glands are supplied with a full set of sealing rings (GI rings, see table) in various diameter range.



Code	A	B	L	C	CH1	CH2	CH3	E	G	ød	ød range
<b>NPT</b>											
<b>PMFA38B-KIT</b>	3/8" NPT	3/8" NPT	16	66	22	24	20	25	22	8,5	2 ÷ 8
<b>PMFA1B-KIT</b>	1/2" NPT	1/2" NPT	18	66	27	27	24	30	27	12,5	4 ÷ 12
<b>PMFA1EB-KIT</b>	1/2" NPT	1/2" NPT	18	66	30	30	27	33	30	14,5	5 ÷ 14
<b>PMFA2B-KIT</b>	3/4" NPT	3/4" NPT	18	66	31	33	32	35	36	17,5	9 ÷ 17
<b>PMFA3B-KIT</b>	1" NPT	1" NPT	23	79	41	44	38	46	43	23,5	14 ÷ 23
<b>PMFA4B-KIT</b>	1.1/4" NPT	1.1/4" NPT	23	79	46	48	46	51	52	29,5	20 ÷ 29
<b>PMFA5B-KIT</b>	1.1/2" NPT	1.1/2" NPT	23	79	56	58	56	62	63	35,5	20 ÷ 35
<b>PMFA6B-KIT</b>	2" NPT	2" NPT	23	79	64	68	68	76	76	45,5	35 ÷ 45
<b>PMFA7B-KIT</b>	2.1/2" NPT	2.1/2" NPT	28	87	78	82	82	90	90	57	45 ÷ 56
<b>PMFA8B-KIT</b>	3" NPT	3" NPT	28	87	94	100	98	104	108	75	56 ÷ 68
<b>ISO</b>											
<b>PMFA16B-KIT</b>	M16x1.5	M16x1.5	16	66	22	24	20	25	22	8,5	2 ÷ 8
<b>PMFA20B-KIT</b>	M20x1.5	M20x1.5	16	66	27	27	24	30	27	12,5	4 ÷ 12
<b>PMFA20EB-KIT</b>	M20x1.5	M20x1.5	16	66	30	30	27	33	30	14,5	5 ÷ 14
<b>PMFA25B-KIT</b>	M25x1.5	M25x1.5	16	66	31	33	32	35	36	17,5	9 ÷ 17
<b>PMFA32B-KIT</b>	M32x1.5	M32x1.5	16	79	41	44	38	46	43	23,5	14 ÷ 23
<b>PMFA40B-KIT</b>	M40x1.5	M40x1.5	18	79	46	48	46	51	52	29,5	20 ÷ 29
<b>PMFA50B-KIT</b>	M50x1.5	M50x1.5	18	79	56	58	56	62	63	35,5	20 ÷ 35
<b>PMFA63B-KIT</b>	M63x1.5	M63x1.5	18	79	70	68	68	76	76	45,5	35 ÷ 45
<b>PMFA75B-KIT</b>	M75x1.5	M75x1.5	22	87	82	82	82	90	90	57	45 ÷ 56
<b>PMFA85B-KIT</b>	M85x1.5	M85x1.5	22	87	94	100	93	104	103	69	56 ÷ 68

The code for Inox AISI 316L version has the letter "S" on final. Es. **PMFA1S-KIT**

ATEX & IECEx Equipment Data		
<b>Gas</b>	Group II Zone 1	II 2G Ex db IIC Gb Ex eb IIC Gb
<b>Dust</b>	Group II Zone 21	II 2D Ex tb IIIC Db IP66

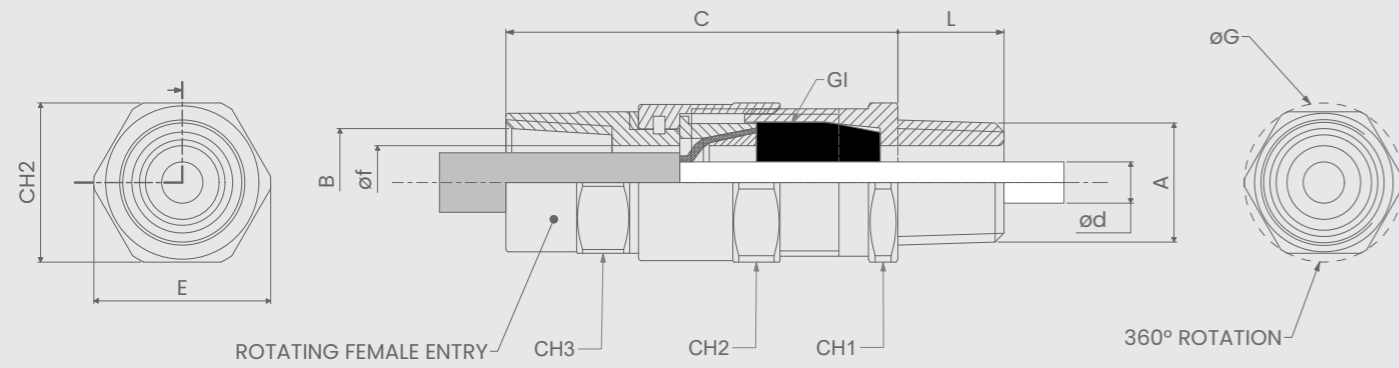
  

ATEX Certificate	IECEx Certificate
INERIS 10 ATEX 0029X	IECEx INE 14.0003X

### Options available

- Fully stainless steel AISI 316L construction
- Red silicon sealings rings with operating temperature range from -60°C up to 180°C

PMFA Series - Mixed configuration



All cable glands are supplied with a full set of sealing rings (GI rings, see table) in various diameter range.

Code	A	B	L	C	CH1	CH2	CH3	E	G	øf	ød range
PMFA3816B-KIT	3/8" NPT	M16x1.5	16	66	22	24	20	25	22	8,5	2 ÷ 8
PMFA120B-KIT	1/2" NPT	M20x1.5	18	66	27	27	24	30	27	12,5	4 ÷ 12
PMFA1E20B-KIT	1/2" NPT	M20x1.5	18	66	30	30	27	33	30	14,5	5 ÷ 14
PMFA225B-KIT	3/4" NPT	M25x1.5	18	66	31	33	32	35	36	17,5	9 ÷ 17
PMFA332B-KIT	1" NPT	M32x1.5	23	79	41	44	38	46	43	23,5	14 ÷ 23
PMFA440B-KIT	1.1/4" NPT	M40x1.5	23	79	46	48	46	51	52	29,5	20 ÷ 29
PMFA550B-KIT	1.1/2" NPT	M50x1.5	23	79	56	58	56	62	63	35,5	20 ÷ 35
PMFA663B-KIT	2" NPT	M63x1.5	23	79	64	68	68	76	76	45,5	35 ÷ 45
PMFA775B-KIT	2.1/2" NPT	M75x1.5	28	87	78	82	82	90	90	57	45 ÷ 56
PMFA885B-KIT	3" NPT	M85x1.5	28	87	94	100	98	104	108	75	56 ÷ 68
PMFA1638B-KIT	M16x1.5	3/8" NPT	16	66	22	24	20	25	22	8,5	2 ÷ 8
PMFA201B-KIT	M20x1.5	1/2" NPT	16	66	27	27	24	30	27	12,5	4 ÷ 12
PMFA20E1B-KIT	M20x1.5	1/2" NPT	16	66	30	30	27	33	30	14,5	5 ÷ 14
PMFA252B-KIT	M25x1.5	3/4" NPT	16	66	31	33	32	35	36	17,5	9 ÷ 17
PMFA323B-KIT	M32x1.5	1" NPT	16	79	41	44	38	46	43	23,5	14 ÷ 23
PMFA404B-KIT	M40x1.5	1.1/4" NPT	18	79	46	48	46	51	52	29,5	20 ÷ 29
PMFA505B-KIT	M50x1.5	1.1/2" NPT	18	79	56	58	56	62	63	35,5	20 ÷ 35
PMFA636B-KIT	M63x1.5	2" NPT	18	79	70	68	68	76	76	45,5	35 ÷ 45
PMFA757B-KIT	M75x1.5	2.1/2" NPT	22	87	82	82	82	90	90	57	45 ÷ 56
PMFA858B-KIT	M85x1.5	3" NPT	22	87	94	100	93	104	103	69	56 ÷ 68

The code for Inox AISI 316L version has the letter "S" on final. Es. PMF120S-KIT

## PMMA Series

Explosion proof barrier cable gland single compression with rotating bushing male entry to be coupled to a rigid or flexible conduit attachment thread.

Note: even if tightened the bushing can rotate by 360°.

### Features

**Material used:** nickel plated brass CW614N

**Operating temperature:** -40°C up to 100°C with EPDM sealing rings

**NPT thread:** from 3/8" up to 3"

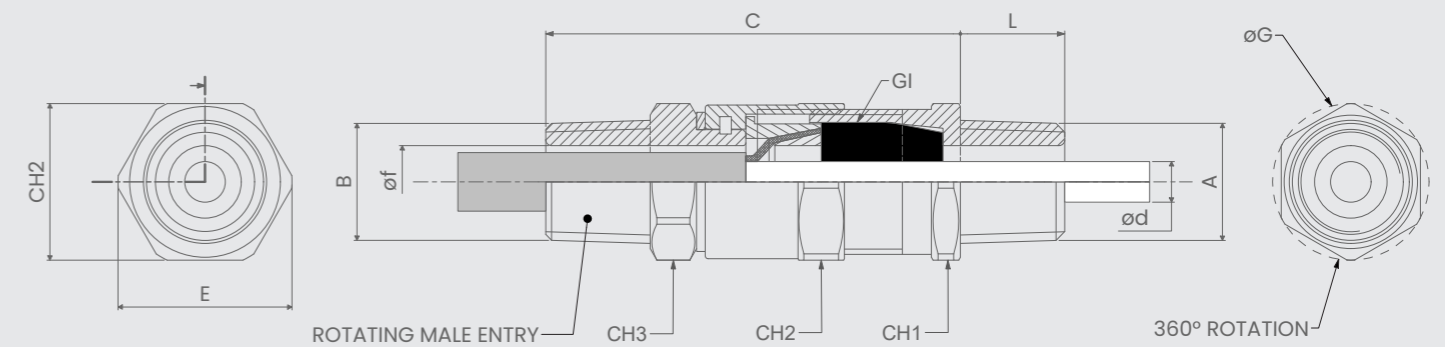
**ISO 262 thread:** from M16x1.5 up to M90x1.5

**Degree of protection:** IP66

**Unarmoured cable clamping range:** from ø 2mm up to ø 74mm

**Armoured cable clamping range:** from ø 5mm up to ø 84mm

All cable glands are supplied with a full set of sealing rings (GI rings, see table) in various diameter range.



NOTE: EVEN IF TIGHTENED THE BUSHING CAN ROTATE BY 360°

Code	A	B	L	C	CH1	CH2	CH3	E	G	øf	ød range
<b>NPT</b>											
<b>PMMA38B-KIT</b>	3/8" NPT	3/8" NPT	16	66	22	24	20	25	22	8,5	2 ÷ 8
<b>PMMA1B-KIT</b>	1/2" NPT	1/2" NPT	18	66	27	27	24	30	27	12,5	4 ÷ 12
<b>PMMA1EB-KIT</b>	1/2" NPT	1/2" NPT	18	66	30	30	27	33	30	14,5	5 ÷ 14
<b>PMMA2B-KIT</b>	3/4" NPT	3/4" NPT	18	66	31	33	32	35	36	17,5	9 ÷ 17
<b>PMMA3B-KIT</b>	1" NPT	1" NPT	23	79	41	44	38	46	43	23,5	14 ÷ 23
<b>PMMA4B-KIT</b>	1.1/4" NPT	1.1/4" NPT	23	79	46	48	46	51	52	29,5	20 ÷ 29
<b>PMMA5B-KIT</b>	1.1/2" NPT	1.1/2" NPT	23	79	56	58	56	62	63	35,5	20 ÷ 35
<b>PMMA6B-KIT</b>	2" NPT	2" NPT	23	79	64	68	68	76	76	45,5	35 ÷ 45
<b>PMMA7B-KIT</b>	2.1/2" NPT	2.1/2" NPT	28	87	78	82	82	90	90	57	45 ÷ 56
<b>PMMA8B-KIT</b>	3" NPT	3" NPT	28	87	94	100	98	104	108	75	56 ÷ 68
<b>ISO</b>											
<b>PMMA16B-KIT</b>	M16x1.5	M16x1.5	16	66	22	24	20	25	22	8,5	2 ÷ 8
<b>PMMA20B-KIT</b>	M20x1.5	M20x1.5	16	66	27	27	24	30	27	12,5	4 ÷ 12
<b>PMMA20EB-KIT</b>	M20x1.5	M20x1.5	16	66	30	30	27	33	30	14,5	5 ÷ 14
<b>PMMA25B-KIT</b>	M25x1.5	M25x1.5	16	66	31	33	32	35	36	17,5	9 ÷ 17
<b>PMMA32B-KIT</b>	M32x1.5	M32x1.5	16	79	41	44	38	46	43	23,5	14 ÷ 23
<b>PMMA40B-KIT</b>	M40x1.5	M40x1.5	18	79	46	48	46	51	52	29,5	20 ÷ 29
<b>PMMA50B-KIT</b>	M50x1.5	M50x1.5	18	79	56	58	56	62	63	35,5	20 ÷ 35
<b>PMMA63B-KIT</b>	M63x1.5	M63x1.5	18	79	70	68	68	76	76	45,5	35 ÷ 45
<b>PMMA75B-KIT</b>	M75x1.5	M75x1.5	22	87	82	82	82	90	90	57	45 ÷ 56
<b>PMMA85B-KIT</b>	M85x1.5	M85x1.5	22	87	94	100	93	104	103	75	56 ÷ 68

The code for Inox AISI 316L version has the letter "S" on final. Es. **PMMA1S-KIT**

### ATEX & IECEx Equipment Data

<b>Gas</b>	Group II Zone 1	II 2G Ex db IIC Gb Ex eb IIC Gb
<b>Dust</b>	Group II Zone 21	II 2D Ex tb IIIC Db IP66

### ATEX Certificate

INERIS 10 ATEX 0029X

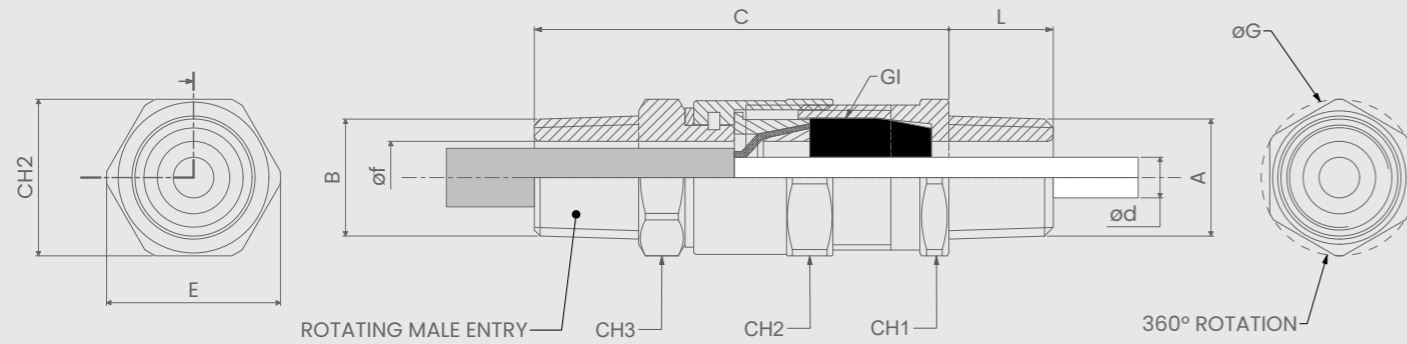
### IECEx Certificate

IECEx INE 14.0003X

### Options available

- Fully stainless steel AISI 316L construction
- Red silicon sealings rings with operating temperature range from -60°C up to 180°C

PMMA Series - Mixed configuration



NOTE: EVEN IF TIGHTENED THE BUSHING CAN ROTATE BY 360°

Code	A	B	L	C	CH1	CH2	CH3	E	G	øf	ød range
PMMA3816B-KIT	3/8" NPT	M16x1.5	16	66	22	24	20	25	22	8,5	2 ÷ 8
PMMA120B-KIT	1/2" NPT	M20x1.5	18	66	27	27	24	30	27	12,5	4 ÷ 12
PMMA1E20B-KIT	1/2" NPT	M20x1.5	18	66	30	30	27	33	30	14,5	5 ÷ 14
PMMA225B-KIT	3/4" NPT	M25x1.5	18	66	31	33	32	35	36	17,5	9 ÷ 17
PMMA332B-KIT	1" NPT	M32x1.5	23	79	41	44	38	46	43	23,5	14 ÷ 23
PMMA440B-KIT	1.1/4" NPT	M40x1.5	23	79	46	48	46	51	52	29,5	20 ÷ 29
PMMA550B-KIT	1.1/2" NPT	M50x1.5	23	79	56	58	56	62	63	35,5	20 ÷ 35
PMMA663B-KIT	2" NPT	M63x1.5	23	79	64	68	68	76	76	45,5	35 ÷ 45
PMMA775B-KIT	2.1/2" NPT	M75x1.5	28	87	78	82	82	90	90	57	45 ÷ 56
PMMA885B-KIT	3" NPT	M85x1.5	28	87	94	100	98	104	108	75	56 ÷ 68
PMMA1638B-KIT	M16x1.5	3/8" NPT	16	66	22	24	20	25	22	8,5	2 ÷ 8
PMMA201B-KIT	M20x1.5	1/2" NPT	16	66	27	27	24	30	27	12,5	4 ÷ 12
PMMA20E1B-KIT	M20x1.5	1/2" NPT	16	66	30	30	27	33	30	14,5	5 ÷ 14
PMMA252B-KIT	M25x1.5	3/4" NPT	16	66	31	33	32	35	36	17,5	9 ÷ 17
PMMA323B-KIT	M32x1.5	1" NPT	16	79	41	44	38	46	43	23,5	14 ÷ 23
PMMA404B-KIT	M40x1.5	1.1/4" NPT	18	79	46	48	46	51	52	29,5	20 ÷ 29
PMMA505B-KIT	M50x1.5	1.1/2" NPT	18	79	56	58	56	62	63	35,5	20 ÷ 35
PMMA636B-KIT	M63x1.5	2" NPT	18	79	70	68	68	76	76	45,5	35 ÷ 45
PMMA757B-KIT	M75x1.5	2.1/2" NPT	22	87	82	82	82	90	90	57	45 ÷ 56
PMMA858B-KIT	M85x1.5	3" NPT	22	87	94	100	93	104	103	75	56 ÷ 68

The code for Inox AISI 316L version has the letter "S" on final. Es. PMM120S-KIT

## PMSA Series

Explosion proof cable gland single compression with fast clamping for flexible conduit.

### Features

**Material used:** nickel plated brass CW614N

**Operating temperature:** -40°C up to 100°C with EPDM sealing rings

**NPT thread:** from 3/8" up to 3"

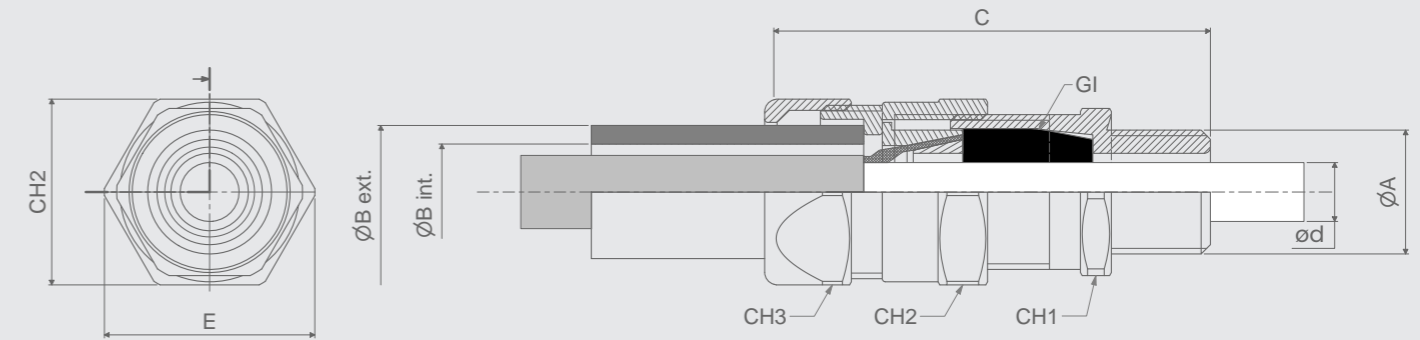
**ISO 262 thread:** from M16x1.5 up to M90x1.5

**Degree of protection:** IP66

**Unarmoured cable clamping range:** from  $\varnothing$  2mm up to  $\varnothing$  74mm

**Armoured cable clamping range:** from  $\varnothing$  5mm up to  $\varnothing$  84mm

All cable glands are supplied with a full set of sealing rings (GI rings, see table) in various diameter range.



Code	A	L	C	CH1	CH2	E	ød range	øB Int.	øB Ext.	Conduit Code
<b>NPT</b>										
<b>PMSA38B-KIT</b>	3/8" NPT	16	58	22	24	25	2 ÷ 8	10	10,5	DMC210
<b>PMSA1B-KIT</b>	1/2" NPT	18	58	27	27	30	4 ÷ 12	15,5	15,5	DMC216
<b>PMSA1EB-KIT</b>	1/2" NPT	18	58	30	30	33	5 ÷ 14	15,5	21,5	DMC216
<b>PMSA2B-KIT</b>	3/4" NPT	18	58	31	33	35	9 ÷ 17	20,5	27	DMC221
<b>PMSA3B-KIT</b>	1" NPT	23	67	41	44	46	14 ÷ 23	26,5	33	DMC227
<b>PMSA4B-KIT</b>	1.1/4" NPT	23	67	46	48	51	20 ÷ 29	34,5	43	DMC235
<b>PMSA5B-KIT</b>	1.1/2" NPT	23	67	56	58	62	20 ÷ 35	39,5	48	DMC240
<b>PMSA6B-KIT</b>	2" NPT	23	67	64	68	76	35 ÷ 45	50,5	60	DMC250
<b>PMSA7B-KIT</b>	2.1/2" NPT	28	76	78	82	90	45 ÷ 56	63	73	DMC263
<b>PMSA8B-KIT</b>	3" NPT	28	76	94	100	104	56 ÷ 68	77	88	DMC277
<b>PMSA9B-KIT</b>	3" NPT	28	76	102	110	112	62 ÷ 74	77	88	DMC277
<b>ISO</b>										
<b>PMSA16B-KIT</b>	M16x1.5	16	58	22	24	25	2 ÷ 8	10	10,5	DMC210
<b>PMSA20B-KIT</b>	M20x1.5	16	58	27	27	30	4 ÷ 12	15,5	15,5	DMC216
<b>PMSA20EB-KIT</b>	M20x1.5	16	58	30	30	33	5 ÷ 14	15,5	21,5	DMC216
<b>PMSA25B-KIT</b>	M25x1.5	16	58	31	33	35	9 ÷ 17	20,5	27	DMC221
<b>PMSA32B-KIT</b>	M32x1.5	16	67	41	44	46	14 ÷ 23	26,5	33	DMC227
<b>PMSA40B-KIT</b>	M40x1.5	18	67	46	48	51	20 ÷ 29	34,5	43	DMC235
<b>PMSA50B-KIT</b>	M50x1.5	18	67	56	58	62	20 ÷ 35	39,5	48	DMC240
<b>PMSA63B-KIT</b>	M63x1.5	18	67	70	68	76	35 ÷ 45	50,5	60	DMC250
<b>PMSA75B-KIT</b>	M75x1.5	22	76	82	82	90	45 ÷ 56	63	73	DMC263
<b>PMSA85B-KIT</b>	M85x1.5	22	76	94	100	104	56 ÷ 68	77	88	DMC277
<b>PMSA90B-KIT</b>	M90x1.5	22	76	102	110	112	62 ÷ 74	77	88	DMC277

The code for Inox AISI 316L version has the letter "S" on final. Es. **PMSAIS-KIT**

ATEX & IECEx Equipment Data		
<b>Gas</b>	Group II Zone 1	II 2G Ex db IIC Gb Ex eb IIC Gb
<b>Dust</b>	Group II Zone 21	II 2D Ex tb IIIC Db IP66

ATEX Certificate	IECEx Certificate
INERIS 10 ATEX 0029X	IECEx INE 14.0003X

### Options available

- Fully stainless steel AISI 316L construction
- Red silicon sealings rings with operating temperature range from -60°C up to 180°C

## PAX Series – Barrier version

Explosion proof cable gland single compression with male thread suitable for all type of armoured cable.

### Features

**Resinable bushing:** with filling compound epoxide resin REPM-1

**Material used:** nickel plated brass CW614N

**Operating temperature:** -40°C up to 100°C with EPDM sealing rings

**NPT thread:** from 3/8" up to 3"

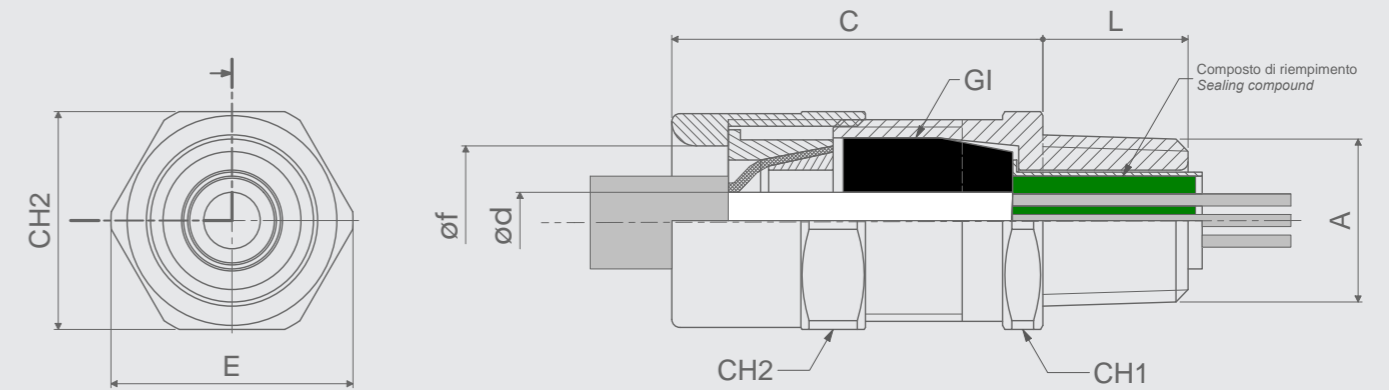
**ISO 262 thread:** from M16x1.5 up to M90x1.5

**Degree of protection:** IP66

**Unarmoured cable clamping range:** from  $\varnothing$  2mm up to  $\varnothing$  74mm

**Armoured cable clamping range:** from  $\varnothing$  5mm up to  $\varnothing$  84mm

All cable glands are supplied with a full set of sealing rings (GI rings, see table) in various diameter range.



Code	A	L	C	CH1	CH2	E	$\varnothing$ f	$\varnothing$ d range
<b>NPT</b>								
PAX38B-KIT	3/8" NPT	16	44	22	24	25	13,5	2 ÷ 8
PAX1B-KIT	1/2" NPT	18	44	27	27	30	18,5	4 ÷ 12
PAX1EB-KIT	1/2" NPT	18	44	30	30	33	20,5	5 ÷ 14
PAX2B-KIT	3/4" NPT	18	44	31	33	35	23,5	9 ÷ 17
PAX3B-KIT	1" NPT	23	51	41	44	46	30,5	14 ÷ 23
PAX4B-KIT	1.1/4" NPT	23	51	46	48	51	36	20 ÷ 29
PAX5B-KIT	1.1/2" NPT	23	51	56	58	62	44	20 ÷ 35
PAX6B-KIT	2" NPT	23	51	64	68	76	53	35 ÷ 45
PAX7B-KIT	2.1/2" NPT	28	59	78	82	90	66	45 ÷ 56
PAX8B-KIT	3" NPT	28	59	94	100	104	79	56 ÷ 68
PAX9B-KIT	3" NPT	28	59	102	110	112	85	62 ÷ 74
<b>ISO</b>								
PAX16B-KIT	M16x1.5	16	44	22	24	25	13,5	2 ÷ 8
PAX20B-KIT	M20x1.5	16	44	27	27	30	18,5	4 ÷ 12
PAX20EB-KIT	M20x1.5	16	44	30	30	33	20,5	5 ÷ 14
PAX25B-KIT	M25x1.5	16	44	31	33	35	23,5	9 ÷ 17
PAX32B-KIT	M32x1.5	16	51	41	44	46	30,5	14 ÷ 23
PAX40B-KIT	M40x1.5	18	51	46	48	51	36	20 ÷ 29
PAX50B-KIT	M50x1.5	18	51	56	58	62	44	20 ÷ 35
PAX63B-KIT	M63x1.5	18	51	70	68	76	53	35 ÷ 45
PAX75B-KIT	M75x1.5	22	59	82	82	90	66	45 ÷ 56
PAX85B-KIT	M85x1.5	22	59	94	100	104	79	56 ÷ 68
PAX90B-KIT	M90x1.5	22	59	102	110	112	85	62 ÷ 74

The code for Inox AISI 316L version has the letter "S" on final. Es. PAXIS-KIT

ATEX & IECEx Equipment Data		
<b>Gas</b>	Group II Zone 1	II 2G Ex db IIC Gb Ex eb IIC Gb
<b>Dust</b>	Group II Zone 21	II 2D Ex tb IIIC Db IP66
ATEX Certificate		IECEx Certificate
INERIS 10 ATEX 0029X		IECEx INE 14.0003X

### Options available

- Fully stainless steel AISI 316L construction
- Red silicon sealings rings with operating temperature range from -60°C up to 180°C

## PMFAX Series - Barrier version

Explosion proof barrier cable gland single compression with rotating bushing female entry to be coupled to a rigid or flexible conduit attachment thread.

Note: even if tightened the bushing can rotate by 360°.

### Features

**Resinable bushing:** with filling compound epoxide resin REPM-1

**Material used:** nickel plated brass CW614N

**Operating temperature:** -40°C up to 100°C with EPDM sealing rings

**NPT thread:** from 3/8" up to 3"

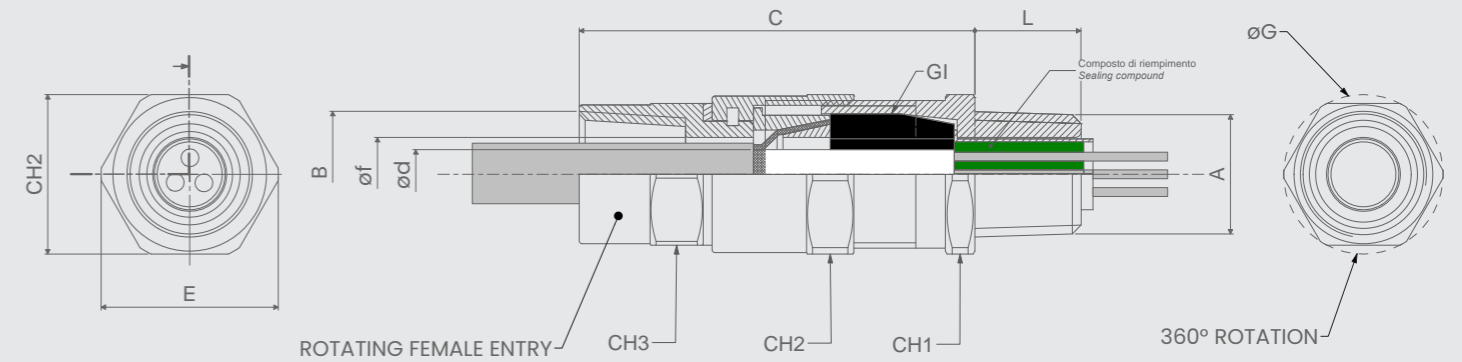
**ISO 262 thread:** from M16x1.5 up to M90x1.5

**Degree of protection:** IP66

**Unarmoured cable clamping range:** from ø 2mm up to ø 74mm

**Armoured cable clamping range:** from ø 5mm up to ø 84mm

All cable glands are supplied with a full set of sealing rings (GI rings, see table) in various diameter range.



Code	A	B	L	C	CH1	CH2	CH3	E	G	øf	ød range
<b>NPT</b>											
<b>PMFAX38B-KIT</b>	3/8" NPT	3/8" NPT	16	66	22	24	20	25	22	8,5	2 ÷ 8
<b>PMFAX1B-KIT</b>	1/2" NPT	1/2" NPT	18	66	27	27	24	30	27	12,5	4 ÷ 12
<b>PMFAX1EB-KIT</b>	1/2" NPT	1/2" NPT	18	66	30	30	27	33	30	14,5	5 ÷ 14
<b>PMFAX2B-KIT</b>	3/4" NPT	3/4" NPT	18	66	31	33	32	35	36	17,5	9 ÷ 17
<b>PMFAX3B-KIT</b>	1" NPT	1" NPT	23	79	41	44	38	46	43	23,5	14 ÷ 23
<b>PMFAX4B-KIT</b>	1.1/4" NPT	1.1/4" NPT	23	79	46	48	46	51	52	29,5	20 ÷ 29
<b>PMFAX5B-KIT</b>	1.1/2" NPT	1.1/2" NPT	23	79	56	58	56	62	63	35,5	20 ÷ 35
<b>PMFAX6B-KIT</b>	2" NPT	2" NPT	23	79	64	68	68	76	76	45,5	35 ÷ 45
<b>PMFAX7B-KIT</b>	2.1/2" NPT	2.1/2" NPT	28	87	78	82	82	90	90	57	45 ÷ 56
<b>PMFAX8B-KIT</b>	3" NPT	3" NPT	28	87	94	100	98	104	108	75	56 ÷ 68
<b>ISO</b>											
<b>PMFAX16B-KIT</b>	M16x1.5	M16x1.5	16	66	22	24	20	25	22	8,5	2 ÷ 8
<b>PMFAX20B-KIT</b>	M20x1.5	M20x1.5	16	66	27	27	24	30	27	12,5	4 ÷ 12
<b>PMFAX20EB-KIT</b>	M20x1.5	M20x1.5	16	66	30	30	27	33	30	14,5	5 ÷ 14
<b>PMFAX25B-KIT</b>	M25x1.5	M25x1.5	16	66	31	33	32	35	36	17,5	9 ÷ 17
<b>PMFAX32B-KIT</b>	M32x1.5	M32x1.5	16	79	41	44	38	46	43	23,5	14 ÷ 23
<b>PMFAX40B-KIT</b>	M40x1.5	M40x1.5	18	79	46	48	46	51	52	29,5	20 ÷ 29
<b>PMFAX50B-KIT</b>	M50x1.5	M50x1.5	18	79	56	58	56	62	63	35,5	20 ÷ 35
<b>PMFAX63B-KIT</b>	M63x1.5	M63x1.5	18	79	70	68	68	76	76	45,5	35 ÷ 45
<b>PMFAX75B-KIT</b>	M75x1.5	M75x1.5	22	87	82	82	82	90	90	57	45 ÷ 56
<b>PMFAX85B-KIT</b>	M85x1.5	M85x1.5	22	87	94	100	93	104	103	69	56 ÷ 68

The code for Inox AISI 316L version has the letter "S" on final. Es. **PMFAXIS-KIT**

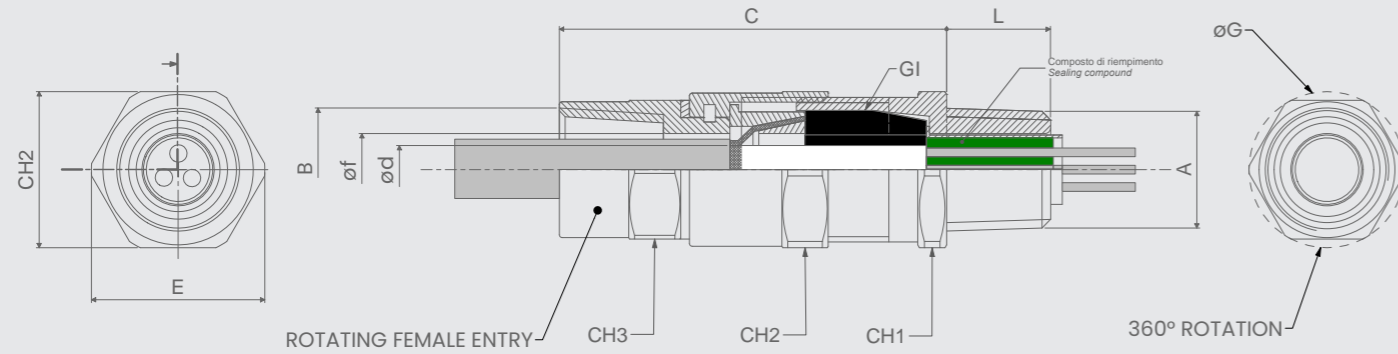
ATEX & IECEx Equipment Data		
<b>Gas</b>	Group II Zone 1	II 2G Ex db IIC Gb Ex eb IIC Gb
<b>Dust</b>	Group II Zone 21	II 2D Ex tb IIIC Db IP66
ATEX Certificate		IECEx Certificate
INERIS 10 ATEX 0029X		IECEx INE 14.0003X

### Options available

- Fully stainless steel AISI 316L construction
- Red silicon sealings rings with operating temperature range from -60°C up to 180°C



**PMFAX Series – Barrier version, Mixed configuration**



Code	A	B	L	C	CH1	CH2	CH3	E	G	øf	ød range
<b>PMFAX3816B-KIT</b>	3/8" NPT	M16x1.5	16	66	22	24	20	25	22	8,5	2 ÷ 8
<b>PMFAX120B-KIT</b>	1/2" NPT	M20x1.5	18	66	27	27	24	30	27	12,5	4 ÷ 12
<b>PMFAX1E20B-KIT</b>	1/2" NPT	M20x1.5	18	66	30	30	27	33	30	14,5	5 ÷ 14
<b>PMFAX225B-KIT</b>	3/4" NPT	M25x1.5	18	66	31	33	32	35	36	17,5	9 ÷ 17
<b>PMFAX332B-KIT</b>	1" NPT	M32x1.5	23	79	41	44	38	46	43	23,5	14 ÷ 23
<b>PMFAX440B-KIT</b>	1.1/4" NPT	M40x1.5	23	79	46	48	46	51	52	29,5	20 ÷ 29
<b>PMFAX550B-KIT</b>	1.1/2" NPT	M50x1.5	23	79	56	58	56	62	63	35,5	20 ÷ 35
<b>PMFAX663B-KIT</b>	2" NPT	M63x1.5	23	79	64	68	68	76	76	45,5	35 ÷ 45
<b>PMFAX775B-KIT</b>	2.1/2" NPT	M75x1.5	28	87	78	82	82	90	90	57	45 ÷ 56
<b>PMFAX885B-KIT</b>	3" NPT	M85x1.5	28	87	94	100	98	104	108	75	56 ÷ 68
<b>PMFAX1638B-KIT</b>	M16x1.5	3/8" NPT	16	66	22	24	20	25	22	8,5	2 ÷ 8
<b>PMFAX201B-KIT</b>	M20x1.5	1/2" NPT	16	66	27	27	24	30	27	12,5	4 ÷ 12
<b>PMFAX20E1B-KIT</b>	M20x1.5	1/2" NPT	16	66	30	30	27	33	30	14,5	5 ÷ 14
<b>PMFAX252B-KIT</b>	M25x1.5	3/4" NPT	16	66	31	33	32	35	36	17,5	9 ÷ 17
<b>PMFAX323B-KIT</b>	M32x1.5	1" NPT	16	79	41	44	38	46	43	23,5	14 ÷ 23
<b>PMFAX404B-KIT</b>	M40x1.5	1.1/4" NPT	18	79	46	48	46	51	52	29,5	20 ÷ 29
<b>PMFAX505B-KIT</b>	M50x1.5	1.1/2" NPT	18	79	56	58	56	62	63	35,5	20 ÷ 35
<b>PMFAX636B-KIT</b>	M63x1.5	2" NPT	18	79	70	68	68	76	76	45,5	35 ÷ 45
<b>PMFAX757B-KIT</b>	M75x1.5	2.1/2" NPT	22	87	82	82	82	90	90	57	45 ÷ 56
<b>PMFAX858B-KIT</b>	M85x1.5	3" NPT	22	87	94	100	93	104	103	75	56 ÷ 68

The code for Inox AISI 316L version has the letter "S" on final. Es. **PMFAX120S-KIT**

## PMMAX Series - Barrier version

Explosion proof barrier cable gland single compression with rotating male entry to be coupled to a rigid or flexible conduit attachment thread.

Note: even if tightened the bushing can rotate by 360°.

### Features

**Resinable bushing:** with filling compound epoxide resin REPM-1

**Material used:** nickel plated brass CW614N

**Operating temperature:** -40°C up to 100°C with EPDM sealing rings

**NPT thread:** from 3/8" up to 3"

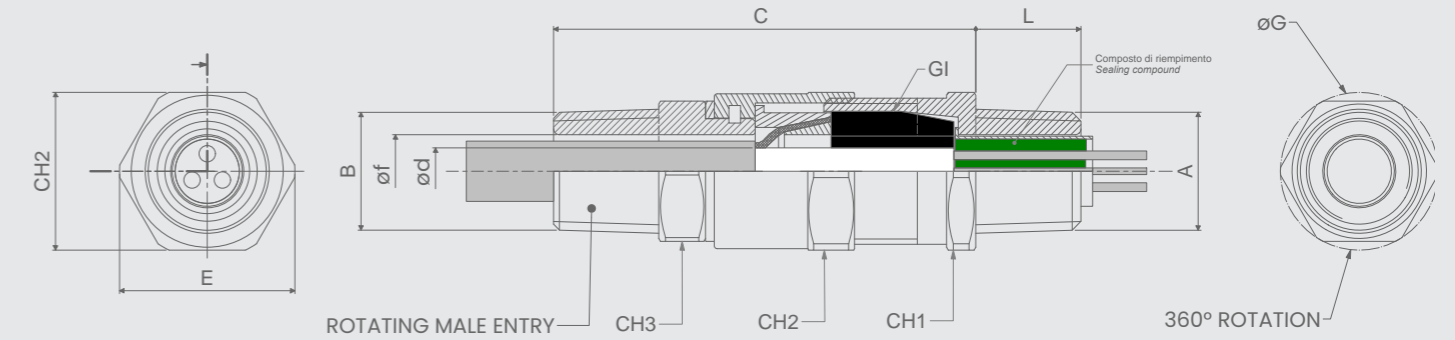
**ISO 262 thread:** from M16x1.5 up to M90x1.5

**Degree of protection:** IP66

**Unarmoured cable clamping range:** from ø 2mm up to ø 74mm

**Armoured cable clamping range:** from ø 5mm up to ø 84mm

All cable glands are supplied with a full set of sealing rings (GI rings, see table) in various diameter range.



NOTE: EVEN IF TIGHTENED THE BUSHING CAN ROTATE BY 360°

Code	A	B	L	C	CH1	CH2	CH3	E	G	øf	ød range
<b>NPT</b>											
<b>PMMAX38B-KIT</b>	3/8" NPT	3/8" NPT	16	66	22	24	20	25	22	8,5	2 ÷ 8
<b>PMMAX1B-KIT</b>	1/2" NPT	1/2" NPT	18	66	27	27	24	30	27	12,5	4 ÷ 12
<b>PMMAX1EB-KIT</b>	1/2" NPT	1/2" NPT	18	66	30	30	27	33	30	14,5	5 ÷ 14
<b>PMMAX2B-KIT</b>	3/4" NPT	3/4" NPT	18	66	31	33	32	35	36	17,5	9 ÷ 17
<b>PMMAX3B-KIT</b>	1" NPT	1" NPT	23	79	41	44	38	46	43	23,5	14 ÷ 23
<b>PMMAX4B-KIT</b>	1.1/4" NPT	1.1/4" NPT	23	79	46	48	46	51	52	29,5	20 ÷ 29
<b>PMMAX5B-KIT</b>	1.1/2" NPT	1.1/2" NPT	23	79	56	58	56	62	63	35,5	20 ÷ 35
<b>PMMAX6B-KIT</b>	2" NPT	2" NPT	23	79	64	68	68	76	76	45,5	35 ÷ 45
<b>PMMAX7B-KIT</b>	2.1/2" NPT	2.1/2" NPT	28	87	78	82	82	90	90	57	45 ÷ 56
<b>PMMAX8B-KIT</b>	3" NPT	3" NPT	28	87	94	100	98	104	108	75	56 ÷ 68
<b>ISO</b>											
<b>PMMAX16B-KIT</b>	M16x1.5	M16x1.5	16	66	22	24	20	25	22	8,5	2 ÷ 8
<b>PMMAX20B-KIT</b>	M20x1.5	M20x1.5	16	66	27	27	24	30	27	12,5	4 ÷ 12
<b>PMMAX20EB-KIT</b>	M20x1.5	M20x1.5	16	66	30	30	27	33	30	14,5	5 ÷ 14
<b>PMMAX25B-KIT</b>	M25x1.5	M25x1.5	16	66	31	33	32	35	36	17,5	9 ÷ 17
<b>PMMAX32B-KIT</b>	M32x1.5	M32x1.5	16	79	41	44	38	46	43	23,5	14 ÷ 23
<b>PMMAX40B-KIT</b>	M40x1.5	M40x1.5	18	79	46	48	46	51	52	29,5	20 ÷ 29
<b>PMMAX50B-KIT</b>	M50x1.5	M50x1.5	18	79	56	58	56	62	63	35,5	20 ÷ 35
<b>PMMAX63B-KIT</b>	M63x1.5	M63x1.5	18	79	70	68	68	76	76	45,5	35 ÷ 45
<b>PMMAX75B-KIT</b>	M75x1.5	M75x1.5	22	87	82	82	82	90	90	57	45 ÷ 56
<b>PMMAX85B-KIT</b>	M85x1.5	M85x1.5	22	87	94	100	93	104	103	75	56 ÷ 68

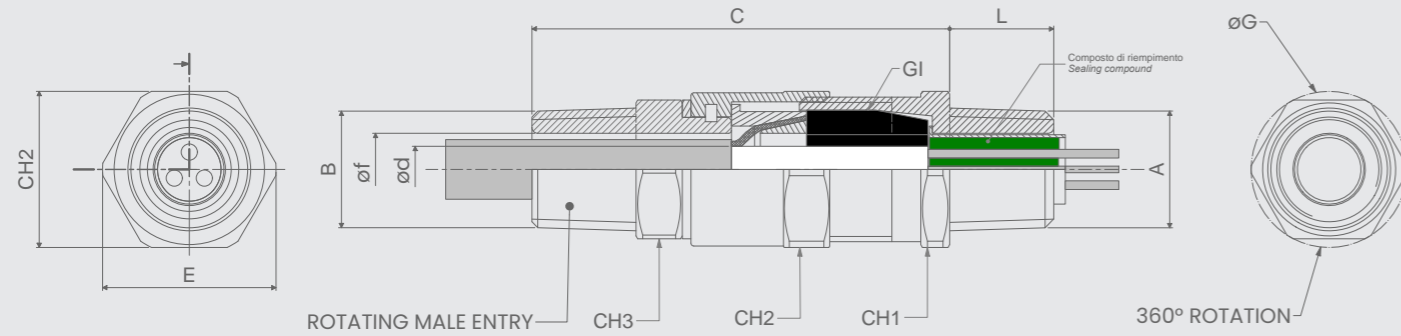
The code for Inox AISI 316L version has the letter "S" on final. Es. **PMMXIS-KIT**

ATEX & IECEx Equipment Data		
<b>Gas</b>	Group II Zone 1	II 2G Ex db IIC Gb Ex eb IIC Gb
<b>Dust</b>	Group II Zone 21	II 2D Ex tb IIIC Db IP66
ATEX Certificate		IECEx Certificate
INERIS 10 ATEX 0029X		IECEx INE 14.0003X

### Options available

- Fully stainless steel AISI 316L construction
- Red silicon sealings rings with operating temperature range from -60°C up to 180°C

**PMMAX Series - Mixed configuration, Mixed configuration**



NOTE: EVEN IF TIGHTENED THE BUSHING CAN ROTATE BY 360°

Code	A	B	L	C	CH1	CH2	CH3	E	G	øf	ød range
<b>PMMAX3816B-KIT</b>	3/8" NPT	M16x1.5	16	66	22	24	20	25	22	8,5	2 ÷ 8
<b>PMMAX120B-KIT</b>	1/2" NPT	M20x1.5	18	66	27	27	24	30	27	12,5	4 ÷ 12
<b>PMMAX1E20B-KIT</b>	1/2" NPT	M20x1.5	18	66	30	30	27	33	30	14,5	5 ÷ 14
<b>PMMAX225B-KIT</b>	3/4" NPT	M25x1.5	18	66	31	33	32	35	36	17,5	9 ÷ 17
<b>PMMAX332B-KIT</b>	1" NPT	M32x1.5	23	79	41	44	38	46	43	23,5	14 ÷ 23
<b>PMMAX440B-KIT</b>	1.1/4" NPT	M40x1.5	23	79	46	48	46	51	52	29,5	20 ÷ 29
<b>PMMAX550B-KIT</b>	1.1/2" NPT	M50x1.5	23	79	56	58	56	62	63	35,5	20 ÷ 35
<b>PMMAX663B-KIT</b>	2" NPT	M63x1.5	23	79	64	68	68	76	76	45,5	35 ÷ 45
<b>PMMAX775B-KIT</b>	2.1/2" NPT	M75x1.5	28	87	78	82	82	90	90	57	45 ÷ 56
<b>PMMAX885B-KIT</b>	3" NPT	M85x1.5	28	87	94	100	98	104	108	75	56 ÷ 68
<b>PMMAX1638B-KIT</b>	M16x1.5	3/8" NPT	16	66	22	24	20	25	22	8,5	2 ÷ 8
<b>PMMAX201B-KIT</b>	M20x1.5	1/2" NPT	16	66	27	27	24	30	27	12,5	4 ÷ 12
<b>PMMAX20E1B-KIT</b>	M20x1.5	1/2" NPT	16	66	30	30	27	33	30	14,5	5 ÷ 14
<b>PMMAX252B-KIT</b>	M25x1.5	3/4" NPT	16	66	31	33	32	35	36	17,5	9 ÷ 17
<b>PMMAX323B-KIT</b>	M32x1.5	1" NPT	16	79	41	44	38	46	43	23,5	14 ÷ 23
<b>PMMAX404B-KIT</b>	M40x1.5	1.1/4" NPT	18	79	46	48	46	51	52	29,5	20 ÷ 29
<b>PMMAX505B-KIT</b>	M50x1.5	1.1/2" NPT	18	79	56	58	56	62	63	35,5	20 ÷ 35
<b>PMMAX636B-KIT</b>	M63x1.5	2" NPT	18	79	70	68	68	76	76	45,5	35 ÷ 45
<b>PMMAX757B-KIT</b>	M75x1.5	2.1/2" NPT	22	87	82	82	82	90	90	57	45 ÷ 56
<b>PMMAX858B-KIT</b>	M85x1.5	3" NPT	22	87	94	100	93	104	103	75	56 ÷ 68

The code for Inox AISI 316L version has the letter "S" on final. Es. **PMMAX120S-KIT**

## PMSAX Series - Barrier version

Explosion proof cable gland single compression with fast clamping for flexible conduit.

### Features

**Resinable bushing:** with filling compound epoxide resin REPM-1

**Material used:** nickel plated brass CW614N

**Operating temperature:** -40°C up to 100°C with EPDM sealing rings

**NPT thread:** from 3/8" up to 3"

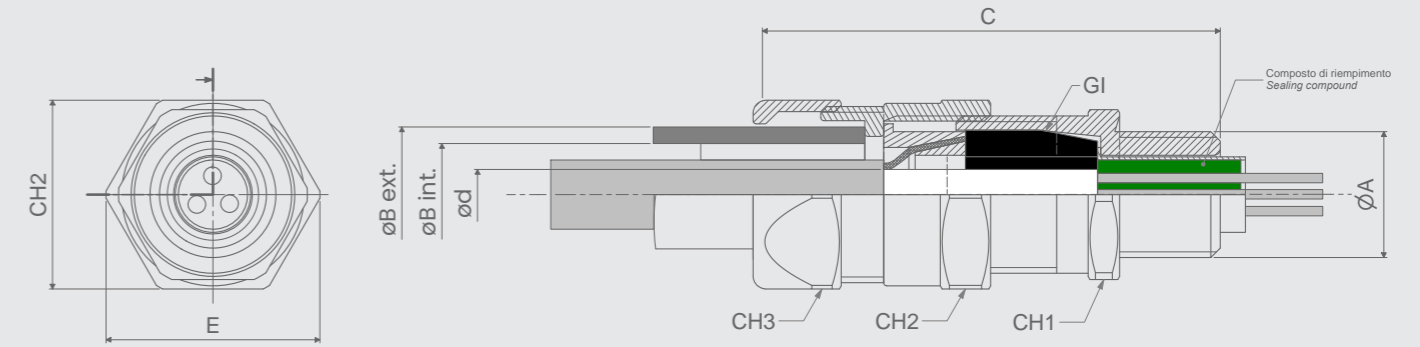
**ISO 262 thread:** from M16x1.5 up to M90x1.5

**Degree of protection:** IP66

**Unarmoured cable clamping range:** from  $\varnothing$  2mm up to  $\varnothing$  74mm

**Armoured cable clamping range:** from  $\varnothing$  5mm up to  $\varnothing$  84mm

All cable glands are supplied with a full set of sealing rings (GI rings, see table) in various diameter range.



Code	A	L	C	CH1	CH2	E	ød range	øB Int.	øB Ext.	Conduit Code
<b>NPT</b>										
<b>PMSAX38B-KIT</b>	3/8" NPT	16	58	22	24	25	2 ÷ 8	10	10,5	DMC210
<b>PMSAX1B-KIT</b>	1/2" NPT	18	58	27	27	30	4 ÷ 12	15,5	15,5	DMC216
<b>PMSAX1EB-KIT</b>	1/2" NPT	18	58	30	30	33	5 ÷ 14	15,5	21,5	DMC216
<b>PMSAX2B-KIT</b>	3/4" NPT	18	58	31	33	35	9 ÷ 17	20,5	27	DMC221
<b>PMSAX3B-KIT</b>	1" NPT	23	67	41	44	46	14 ÷ 23	26,5	33	DMC227
<b>PMSAX4B-KIT</b>	1.1/4" NPT	23	67	46	48	51	20 ÷ 29	34,5	43	DMC235
<b>PMSAX5B-KIT</b>	1.1/2" NPT	23	67	56	58	62	20 ÷ 35	39,5	48	DMC240
<b>PMSAX6B-KIT</b>	2" NPT	23	67	64	68	76	35 ÷ 45	50,5	60	DMC250
<b>PMSAX7B-KIT</b>	2.1/2" NPT	28	76	78	82	90	45 ÷ 56	63	73	DMC263
<b>PMSAX8B-KIT</b>	3" NPT	28	76	94	100	104	56 ÷ 68	77	88	DMC277
<b>PMSAX9B-KIT</b>	3" NPT	28	76	102	110	112	62 ÷ 74	77	88	DMC277
<b>ISO</b>										
<b>PMSAX16B-KIT</b>	M16x1.5	16	58	22	24	25	2 ÷ 8	10	10,5	DMC210
<b>PMSAX20B-KIT</b>	M20x1.5	16	58	27	27	30	4 ÷ 12	15,5	15,5	DMC216
<b>PMSAX20EB-KIT</b>	M20x1.5	16	58	30	30	33	5 ÷ 14	15,5	21,5	DMC216
<b>PMSAX25B-KIT</b>	M25x1.5	16	58	31	33	35	9 ÷ 17	20,5	27	DMC221
<b>PMSAX32B-KIT</b>	M32x1.5	16	67	41	44	46	14 ÷ 23	26,5	33	DMC227
<b>PMSAX40B-KIT</b>	M40x1.5	18	67	46	48	51	20 ÷ 29	34,5	43	DMC235
<b>PMSAX50B-KIT</b>	M50x1.5	18	67	56	58	62	20 ÷ 35	39,5	48	DMC240
<b>PMSAX63B-KIT</b>	M63x1.5	18	67	70	68	76	35 ÷ 45	50,5	60	DMC250
<b>PMSAX75B-KIT</b>	M75x1.5	22	76	82	82	90	45 ÷ 56	63	73	DMC263
<b>PMSAX85B-KIT</b>	M85x1.5	22	76	94	100	104	56 ÷ 68	77	88	DMC277
<b>PMSAX90B-KIT</b>	M90x1.5	22	76	102	110	112	62 ÷ 74	77	88	DMC277

The code for Inox AISI 316L version has the letter "S" on final. Es. **PMSAXIS-KIT**

ATEX & IECEx Equipment Data		
<b>Gas</b>	Group II Zone 1	II 2G Ex db IIC Gb Ex eb IIC Gb
<b>Dust</b>	Group II Zone 21	II 2D Ex tb IIIC Db IP66
ATEX Certificate		IECEx Certificate
INERIS IO ATEX 0029X		IECEx INE 14.0003X

### Options available

- Fully stainless steel AISI 316L construction
- Red silicon sealings rings with operating temperature range from -60°C up to 180°C

# ARMoured CABLE

## PMA Series

Explosion proof cable gland double compression with male thread suitable for all type of armoured cable.

### Features

**Double sealing:** internal and external sealing rings

**Material used:** nickel plated brass CW614N

**Operating temperature:** -40°C up to 100°C with EPDM sealing rings

**NPT thread:** from 3/8" up to 3"

**ISO 262 thread:** from M16x1.5 up to M90x1.5

**Degree of protection:** IP66

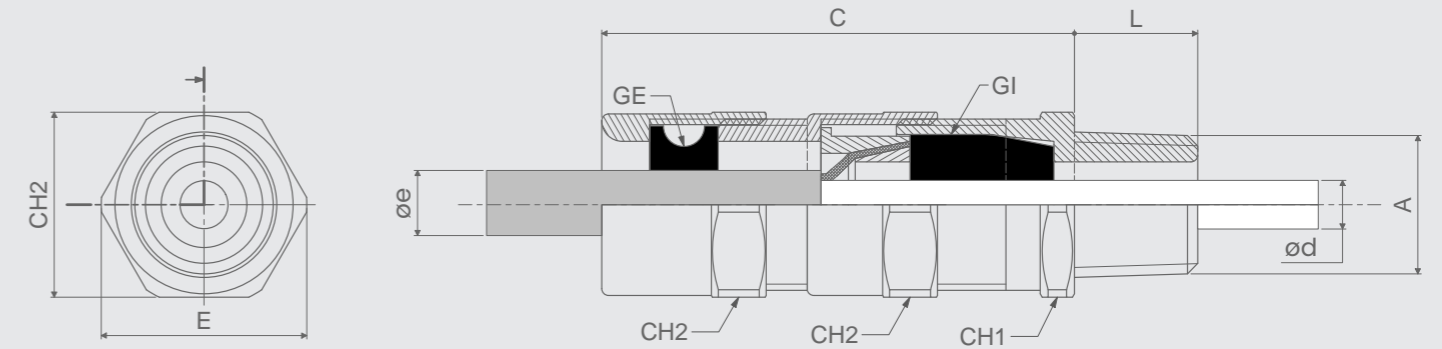
**Unarmoured cable clamping range:** from ø 2mm up to ø 74mm

**Armoured cable clamping range:** from ø 5mm up to ø 84mm

All cable glands are supplied with a full set of sealing rings (GI rings, see table) in various diameter range.



# ARMoured CABLE



Code	A	L	C	CH1	CH2	E	ød range	øe range
<b>NPT</b>								
<b>PMA38B-KIT</b>	3/8" NPT	16	69	22	24	25	2 ÷ 8	5 ÷ 13
<b>PMA1B-KIT</b>	1/2" NPT	18	69	27	27	30	4 ÷ 12	6 ÷ 18
<b>PMA1EB-KIT</b>	1/2" NPT	18	69	30	30	33	5 ÷ 14	9 ÷ 19
<b>PMA2B-KIT</b>	3/4" NPT	18	69	31	33	35	9 ÷ 17	13 ÷ 23
<b>PMA3B-KIT</b>	1" NPT	23	81	41	44	46	14 ÷ 23	18 ÷ 30
<b>PMA4B-KIT</b>	1.1/4" NPT	23	81	46	48	51	20 ÷ 29	24 ÷ 35
<b>PMA5B-KIT</b>	1.1/2" NPT	23	81	56	58	62	20 ÷ 35	26 ÷ 43
<b>PMA6B-KIT</b>	2" NPT	23	81	64	68	76	35 ÷ 45	42 ÷ 52
<b>PMA7B-KIT</b>	2.1/2" NPT	28	95	78	82	90	45 ÷ 56	52 ÷ 65
<b>PMA8B-KIT</b>	3" NPT	28	95	94	100	104	56 ÷ 68	65 ÷ 78
<b>PMA9B-KIT</b>	3" NPT	28	95	102	110	112	62 ÷ 74	71 ÷ 84
<b>ISO</b>								
<b>PMA16B-KIT</b>	M16x1.5	16	69	22	24	25	2 ÷ 8	5 ÷ 13
<b>PMA20B-KIT</b>	M20x1.5	16	69	27	27	30	4 ÷ 12	6 ÷ 18
<b>PMA20EB-KIT</b>	M20x1.5	16	69	30	30	33	5 ÷ 14	9 ÷ 19
<b>PMA25B-KIT</b>	M25x1.5	16	69	31	33	35	9 ÷ 17	13 ÷ 23
<b>PMA32B-KIT</b>	M32x1.5	16	81	41	44	46	14 ÷ 23	18 ÷ 30
<b>PMA40B-KIT</b>	M40x1.5	18	81	46	48	51	20 ÷ 29	24 ÷ 35
<b>PMA50B-KIT</b>	M50x1.5	18	81	56	58	62	20 ÷ 35	26 ÷ 43
<b>PMA63B-KIT</b>	M63x1.5	18	81	70	68	76	35 ÷ 45	42 ÷ 52
<b>PMA75B-KIT</b>	M75x1.5	22	95	82	82	90	45 ÷ 56	52 ÷ 65
<b>PMA85B-KIT</b>	M85x1.5	22	95	94	100	104	56 ÷ 68	65 ÷ 78
<b>PMA90B-KIT</b>	M90x1.5	22	95	102	110	112	62 ÷ 74	71 ÷ 84

ATEX & IECEx Equipment Data		
<b>Gas</b>	Group II Zone 1	II 2G Ex db IIC Gb Ex eb IIC Gb
<b>Dust</b>	Group II Zone 21	II 2D Ex tb IIIC Db IP66
ATEX Certificate		IECEx Certificate
INERIS 10 ATEX 0029X		IECEx INE 14.0003X

### Options available

- Fully stainless steel AISI 316L construction
- Red silicon sealings rings with operating temperature range from -60°C up to 180°C

The code for Inox AISI 316L version has the letter "S" on final. Es. **PMAIS-KIT**

## PMAX Series - Barrier version

Explosion proof cable gland double compression with male thread suitable for all type of armoured cable.

### Features

**Resinable bushing:** with filling compound epoxide resin REPM-1

**Double sealing:** internal and external sealing rings

**Material used:** nickel plated brass CW614N

**Operating temperature:** -40°C up to 100°C with EPDM sealing rings

**NPT thread:** from 3/8" up to 3"

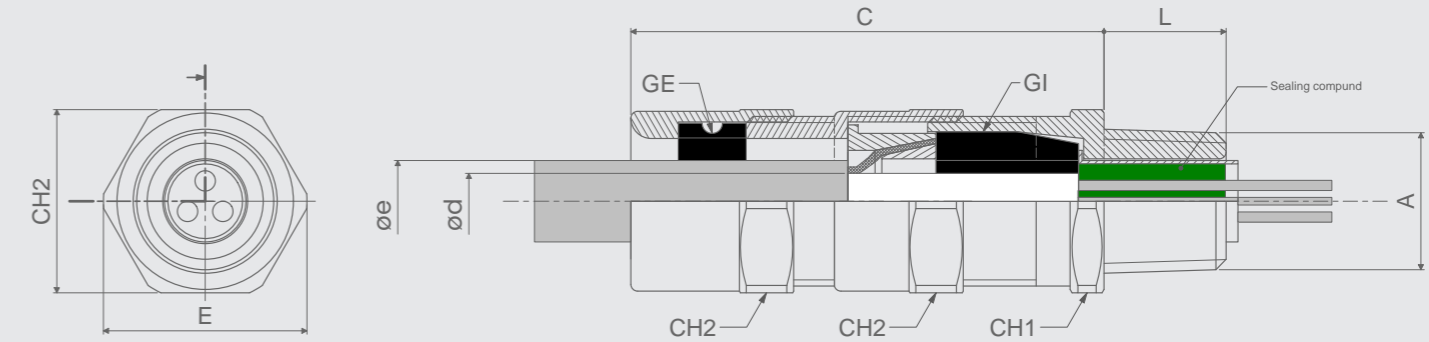
**ISO 262 thread:** from M16x1.5 up to M90x1.5

**Degree of protection:** IP66

**Unarmoured cable clamping range:** from  $\varnothing$  2mm up to  $\varnothing$  74mm

**Armoured cable clamping range:** from  $\varnothing$  5mm up to  $\varnothing$  84mm

All cable glands are supplied with a full set of sealing rings (GI rings, see table) in various diameter range.



Code	A	L	C	CH1	CH2	E	$\varnothing d$ range	$\varnothing e$ range
<b>NPT</b>								
<b>PMAX38B-KIT</b>	3/8" NPT	16	69	22	24	25	2 ÷ 8	5 ÷ 13
<b>PMAX1B-KIT</b>	1/2" NPT	18	69	27	27	30	4 ÷ 12	6 ÷ 18
<b>PMAX1EB-KIT</b>	1/2" NPT	18	69	30	30	33	5 ÷ 14	9 ÷ 19
<b>PMAX2B-KIT</b>	3/4" NPT	18	69	31	33	35	9 ÷ 17	13 ÷ 23
<b>PMAX3B-KIT</b>	1" NPT	23	81	41	44	46	14 ÷ 23	18 ÷ 30
<b>PMAX4B-KIT</b>	1.1/4" NPT	23	81	46	48	51	20 ÷ 29	24 ÷ 35
<b>PMAX5B-KIT</b>	1.1/2" NPT	23	81	56	58	62	20 ÷ 35	26 ÷ 43
<b>PMAX6B-KIT</b>	2" NPT	23	81	64	68	76	35 ÷ 45	42 ÷ 52
<b>PMAX7B-KIT</b>	2.1/2" NPT	28	95	78	82	90	45 ÷ 56	52 ÷ 65
<b>PMAX8B-KIT</b>	3" NPT	28	95	94	100	104	56 ÷ 68	65 ÷ 78
<b>PMAX9B-KIT</b>	3" NPT	28	95	102	110	112	62 ÷ 74	71 ÷ 84
<b>ISO</b>								
<b>PMAX16B-KIT</b>	M16x1.5	16	69	22	24	25	2 ÷ 8	5 ÷ 13
<b>PMAX20B-KIT</b>	M20x1.5	16	69	27	27	30	4 ÷ 12	6 ÷ 18
<b>PMAX20EB-KIT</b>	M20x1.5	16	69	30	30	33	5 ÷ 14	9 ÷ 19
<b>PMAX25B-KIT</b>	M25x1.5	16	69	31	33	35	9 ÷ 17	13 ÷ 23
<b>PMAX32B-KIT</b>	M32x1.5	16	81	41	44	46	14 ÷ 23	18 ÷ 30
<b>PMAX40B-KIT</b>	M40x1.5	18	81	46	48	51	20 ÷ 29	24 ÷ 35
<b>PMAX50B-KIT</b>	M50x1.5	18	81	56	58	62	20 ÷ 35	26 ÷ 43
<b>PMAX63B-KIT</b>	M63x1.5	18	81	70	68	76	35 ÷ 45	42 ÷ 52
<b>PMAX75B-KIT</b>	M75x1.5	22	95	82	82	90	45 ÷ 56	52 ÷ 65
<b>PMAX85B-KIT</b>	M85x1.5	22	95	94	100	104	56 ÷ 68	65 ÷ 78
<b>PMAX90B-KIT</b>	M90x1.5	22	95	102	110	112	62 ÷ 74	71 ÷ 84

ATEX & IECEx Equipment Data		
<b>Gas</b>	Group II Zone 1	II 2G Ex db IIC Gb Ex eb IIC Gb
<b>Dust</b>	Group II Zone 21	II 2D Ex tb IIIC Db IP66
ATEX Certificate		IECEx Certificate
INERIS 10 ATEX 0029X		IECEx INE 14.0003X

### Options available

- Fully stainless steel AISI 316L construction
- Red silicon sealings rings with operating temperature range from -60°C up to 180°C

The code for Inox AISI 316L version has the letter "S" on final. Es. **PMAIS-KIT**

**EXTERNAL SHROUDS SERIES SPM**

The shrouds for cableglands are made in black PVC and they are used to prevent deposits of dust or other substances on the surface of the cablegland and cable entry.

Code	NPT Dimensions	ISO Dimensions
SPM16	3/8"	M16x1.5
SPM1	1/2"	M20x1.5
SPM2	3/4"	M25x1.5
SPM3	1"	M32x1.5
SPM4	1.1/4"	M40x1.5
SPM5	1.1/2"	M50x1.5
SPM6	2"	M63x1.5
SPM7	2.1/2"	M75x1.5
SPM8	3"	M85x1.5
SPM9	3"	M90x1.5



**EXTERNAL BLUE SHROUDS SERIES SPMBU**

The shrouds for cableglands are made in blue PVC and they are used to prevent deposits of dust or other substances on the surface of the cablegland and cable entry.

Code	NPT Dimensions	ISO Dimensions
SPM16BU	3/8"	M16x1.5
SPM1BU	1/2"	M20x1.5
SPM2BU	3/4"	M25x1.5
SPM3BU	1"	M32x1.5
SPM4BU	1.1/4"	M40x1.5
SPM5BU	1.1/2"	M50x1.5
SPM6BU	2"	M63x1.5
SPM7BU	2.1/2"	M75x1.5
SPM8BU	3"	M85x1.5
SPM9BU	3"	M90x1.5



**LOCKNUT SERIES DL**

The locknuts are used to hold the cable gland, adaptors or plugs up to the walls of the equipment. Ensure the restraining to the entry of enclosure.

Code	ISO Dimensions	Code	NPT Dimensions
DL16B	M16x1.5	DL38B	3/8"
DL20B	M20x1.5	DL1B	1/2"
DL25B	M25x1.5	DL2B	3/4"
DL32B	M32x1.5	DL3B	1"
DL40B	M40x1.5	DL4B	1.1/4"
DL50B	M50x1.5	DL5B	1.1/2"
DL63B	M63x1.5	DL6B	2"
DL75B	M75x1.5	DL7B	2.1/2"
DL85B	M85x1.5	DL8B	3"
DL90B	M90x1.5	DL9B	3"



Also available in AISI 316L. Code with "s" on final. Example DL20S

**EARTHING TAG SERIES ET**

The earthing tags are installed between the cable gland and the electrical equipment

Code	ISO Dimensions	Code	NPT Dimensions
ET16B	M16x1.5	ET38B	3/8"
ET20B	M20x1.5	ET1B	1/2"
ET25B	M25x1.5	ET2B	3/4"
ET32B	M32x1.5	ET3B	1"
ET40B	M40x1.5	ET4B	1.1/4"
ET50B	M50x1.5	ET5B	1.1/2"
ET63B	M63x1.5	ET6B	2"
ET75B	M75x1.5	ET7B	2.1/2"
ET85B	M85x1.5	ET8B	3"
ET90B	M90x1.5	ET9B	3"



Also available in AISI 316L. Code with "s" on final. Example ET20S

**LOCKNUT SERIES DLC**

The locknuts are used to hold the cable gland, adaptors or plugs up to the walls of the equipment. Ensure the restraining to the entry of enclosure.

Code	ISO Dimensions	Code	NPT Dimensions
<b>DLC16B</b>	M16x1.5	<b>DLC38B</b>	3/8"
<b>DLC20B</b>	M20x1.5	<b>DLC1B</b>	1/2"
<b>DLC25B</b>	M25x1.5	<b>DLC2B</b>	3/4"
<b>DLC32B</b>	M32x1.5	<b>DLC3B</b>	1"
<b>DLC40B</b>	M40x1.5	<b>DLC4B</b>	1.1/4"
<b>DLC50B</b>	M50x1.5	<b>DLC5B</b>	1.1/2"
<b>DLC63B</b>	M63x1.5	<b>DLC6B</b>	2"
<b>DLC75B</b>	M75x1.5	<b>DLC7B</b>	2.1/2"
<b>DLC85B</b>	M85x1.5	<b>DLC8B</b>	3"
<b>DLC90B</b>	M90x1.5	<b>DLC9B</b>	3"



Also available in AISI 316L. Code with "s" on final. Example DLC20S

**GASKET SERIES SW**

Used to obtain the required grade of protection of cable glands. Made in white teflon

Code	ISO Dimensions	Code	NPT Dimensions
<b>SW16T</b>	M16x1.5	<b>SW38T</b>	3/8"
<b>SW20T</b>	M20x1.5	<b>SW1T</b>	1/2"
<b>SW25T</b>	M25x1.5	<b>SW2T</b>	3/4"
<b>SW32T</b>	M32x1.5	<b>SW3T</b>	1"
<b>SW40T</b>	M40x1.5	<b>SW4T</b>	1.1/4"
<b>SW50T</b>	M50x1.5	<b>SW5T</b>	1.1/2"
<b>SW63T</b>	M63x1.5	<b>SW6T</b>	2"
<b>SW75T</b>	M75x1.5	<b>SW7T</b>	2.1/2"
<b>SW85T</b>	M85x1.5	<b>SW8T</b>	3"
<b>SW90T</b>	M90x1.5	<b>SW9T</b>	3"



**SERRATED WASHER SERIES SR**

The serrated washer are used together with lock nuts to prevent the loose of the attachment. Made in AISI 316L

Code	ISO Dimensions	Code	NPT Dimensions
<b>SR16B</b>	M16x1.5	<b>SR38B</b>	3/8"
<b>SR20B</b>	M20x1.5	<b>SR1B</b>	1/2"
<b>SR25B</b>	M25x1.5	<b>SR2B</b>	3/4"
<b>SR32B</b>	M32x1.5	<b>SR3B</b>	1"
<b>SR40B</b>	M40x1.5	<b>SR4B</b>	1.1/4"
<b>SR50B</b>	M50x1.5	<b>SR5B</b>	1.1/2"
<b>SR63B</b>	M63x1.5	<b>SR6B</b>	2"
<b>SR75B</b>	M75x1.5	<b>SR7B</b>	2.1/2"
<b>SR85B</b>	M85x1.5	<b>SR8B</b>	3"
<b>SR90B</b>	M90x1.5	<b>SR9B</b>	3"





**FILLING COMPOUND – BICOMPONENT RESIN REPM-1**

Epoxide resin with an excellent resistance grade to chemicals, heat and water. It is available in 50 ml cartridges. It is used as sealant into the cable glands bushing series PMX, PMAX, PMMX and PMFX to prevent the propagation of the flames. Operative temperature: -20°C ÷ +80°C

Cable gland dimension	N° of cable glands filled with one cartridge*
<b>M16x1.5 - 3/8"</b>	25
<b>M20x1.5 - 1/2"</b>	20
<b>M25x1.5 - 3/4"</b>	10
<b>M32x1.5 - 1"</b>	5
<b>M40x1.5 - 1.1/4"</b>	3
<b>M50x1.5 - 1.1/2"</b>	2
<b>M63x1.5 - 2"</b>	1
<b>M70x1.5 - 2.1/2"</b>	1
<b>M85x1.5 - 3"</b>	0.5
<b>M90x1.5 - 3"</b>	0.5



\*The value is purely indicative. Ther real number depends on the type and the dimension of the cable used

**MANUAL APPLICATOR FOR 50ML CARTIRIDGE SERIES APM50**

Using with REPM-1 50ml cartridges. Lightweight, easy to use applicator and easy to load. Usable with one hand. Code: APM50



**REPLACEMENT NOZZLE FOR 50ML CARTRIDGES BC-REPM-1**

Replacement nozzle for 50ml cartridges. Code: BC-REPM-1



**CONDUIT TYPE DMC**

Pliable hot deep galvanized steel conduit, reinforced clutch, recovred of smooth grey PVC heavy bore coating and well anchored to the metal conduit

Code	Flexible conduit		Inside bend radius (mm)	Res. to traction	Res. to compression	Temp. range (C°)	Suitable for cable glands series PMS/PMSX	IP Rating
	ø int (mm)	ø ext (mm)						
<b>DMC210</b>	10	15,5	50	>1000N	>1250N	-15° ÷ +70°	PMS38 / PMS16	IP67
<b>DMC216</b>	15,5	21,5	60	>1000N	>1250N	-15° ÷ +70°	PMS1 / PMS20 PMS1E / PMS20E	IP67
<b>DMC221</b>	26,5	33	90	>1000N	>1250N	-15° ÷ +70°	PMS2 / PMS25	IP67
<b>DMC227</b>	34,5	43	120	>1000N	>1250N	-15° ÷ +70°	PMS3 / PMS32	IP67
<b>DMC235</b>	39,5	48	150	>1000N	>1250N	-15° ÷ +70°	PMS4 / PMS40	IP67
<b>DMC240</b>	50,5	60	200	>1000N	>1250N	-15° ÷ +70°	PMS5 / PMS50	IP67
<b>DMC250</b>	63	73	250	>1000N	>1250N	-15° ÷ +70°	PMS6 / PMS63	IP67
<b>DMC263</b>	77	88	280	>1000N	>1250N	-15° ÷ +70°	PMS7 / PMS75	IP67
<b>DMC277</b>	77	88	400	>1000N	>1250N	-15° ÷ +70°	PMS8 / PMS85 PMS9 / PMS90	IP67

