

INSTALLATION AND USE

The units series RX & RS must be installed, in conformity of the International and European standards IEC 60079-14 & EN60079-14, by qualified and authorized personal.

Changes of the design and modifications to the units are not permitted and must be used only if in perfect conditions.

Check, before tightening, absence of foreign body (e.g. burrs, shavings, etc.) on the threaded part of the component.

Threading length always guarantees 5 engaged threads at least with a minimum length of 8 mm.

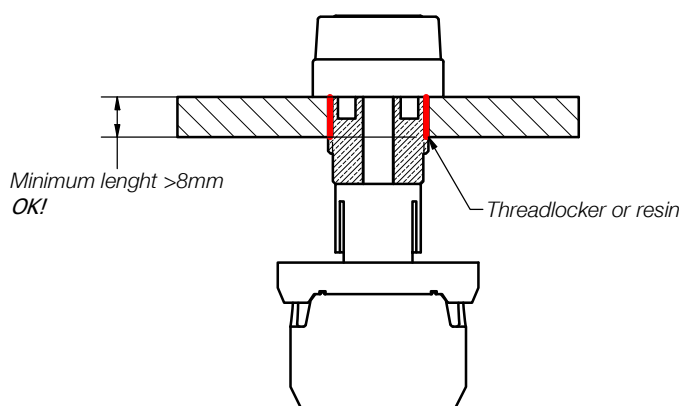
The user must respect the minimum number of engaged threads.

To guarantee the explosionproof and the IP protection of the enclosure on which the unit is installed, the units can be installed in **two different ways**:

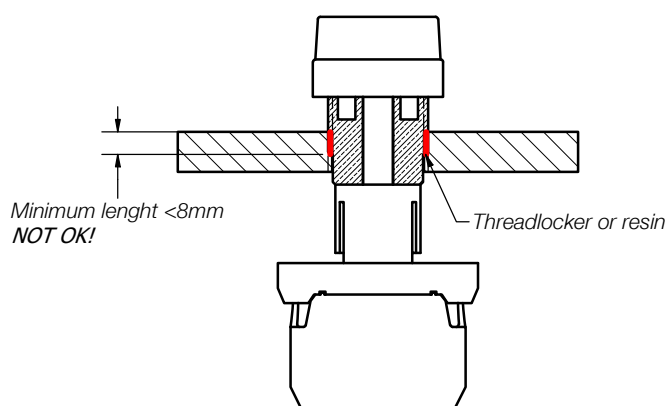
- 1 - Apply all over the circumference and for at least two thread an epoxide resin type **Huntsman Araldite AW106 / HV 953U** or a threadlocker type **Arexons System 52A72**.

WARNING: this type of installation does **NOT ALLOW** removal after assembly, this could damage the thread of the unit.

CORRECT INSTALLATION



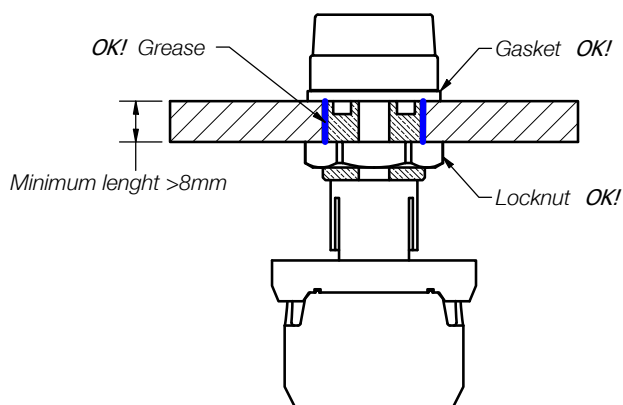
WRONG INSTALLATION



2. Use a gasket outside the enclosure, and a locknut inside the enclosure.

Use grease type **Arexons System GC300** all over the thread and guarantees 5 engaged threads at least with a minimum length of 8 mm

CORRECT INSTALLATION



WRONG INSTALLATION

