

EMERGENCY PUSH BUTTON

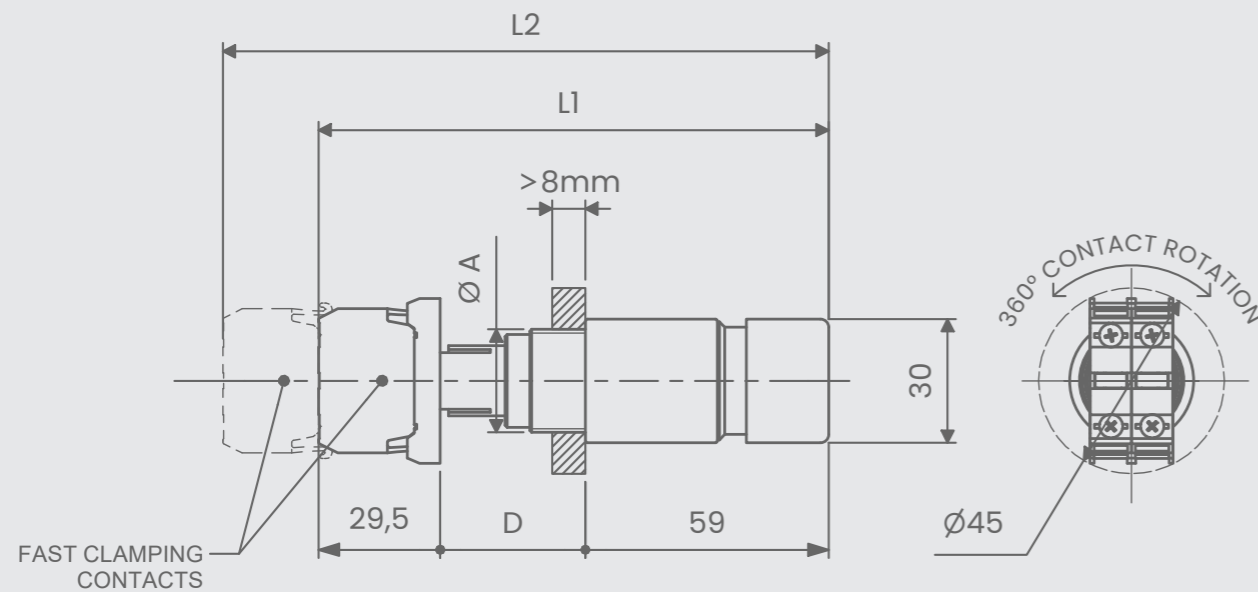


Series EFP

- Emergency push button mushroom type with pull release up to 4 simultaneous electrical contacts
- Body in nickel plated brass, ring in aluminium yellow painted and other parts in plastic PA6
- Rated insulation voltage U_i : 300V
- Rated impulse voltage U_{imp} : 2.5 kV
- Nominal voltage: 230V
- AC1 max current value: 10A
- AC15 max current value: 4A

Operating temperature	ATEX Certificate	IECEX Certificate
- 50°C ÷ + 180°C	INERIS 14 ATEX 9016U	IECEX INE 14.0055U

ATEX & IECEX Equipment Data		
Gas	Group I Zone 1	Ex II 2G Ex db IIC or IIB+H2 Gb
Dust	Group II Zone 21	Ex II 2D Ex tb IIIC Db IP66
Mine	Group I	Ex I M2 Ex db I Mb



Code	Ø A Threading	D	L1	L2	Wheight (g)
RX20EFPRD	M20x1.5 - 6g	34	136.5	141	101
RX25EFPRD	M25x1.5 - 6g	34	136.5	141	116
RS20EFPRD	M20x1.5 - 6g	40	142.5	159.5	125
RS25EFPRD	M25x1.5 - 6g	40	142.5	159.5	148

EMERGENCY PUSH BUTTON


RS SERIES	RX SERIES
Suitable for Ex d electrical enclosure IIB+H2 Internal Volume < 160,6 dm ³ IIC Internal Volume < 62,9 dm ³	Suitable for Ex d electrical enclosure IIB+H2 Internal Volume < 2 dm ³ IIC Internal Volume < 2 dm ³

ORDER CODING		
Code	Normally open contact	Normally close contact
RX20EFPRD	0 - 0 NO	0 - 0 NC
RX25EFPRD	1 - 1 NO	1 - 1 NC
RS20EFPRD	2 - 2 NO	2 - 2 NC
RS25EFPRD	3 - 3 NO	3 - 3 NC
	4 - 4 NO	4 - 4 NC

Example: RS25EFPRD11

- Body in stainless steel AISI 316L
- Ring in stainless steel AISI 316L yellow painted
- Operating temperature: -60°C ÷ +180°C

INOX VERSION



ORDER CODING		
Codice	Normally open contact	Normally close contact
RXI20EFPRD	0 - 0 NO	0 - 0 NC
RXI25EFPRD	1 - 1 NO	1 - 1 NC
RSI20EFPRD	2 - 2 NO	2 - 2 NC
RSI25EFPRD	3 - 3 NO	3 - 3 NC
	4 - 4 NO	4 - 4 NC

Example: RSI25EFPRD11