

EMERGENCY PUSH BUTTON

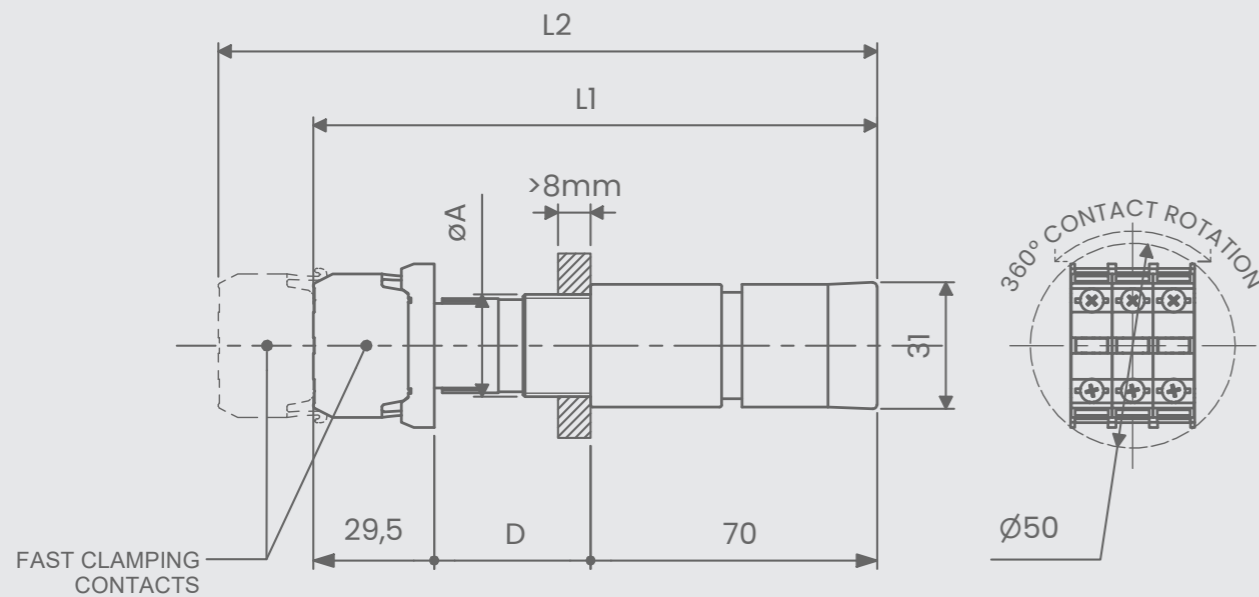


Series EFP3 UP TO 6 CONTACTS

- Emergency push button mushroom type with pull release up to 6 simultaneous electrical contacts
- Body in nickel plated brass, ring in aluminium yellow painted and other parts in plastic PA6
- Rated insulation voltage U_i : 300V
- Rated impulse voltage U_{imp} : 2.5 kV
- Nominal voltage: 230V
- AC1 max current value: 10A
- AC15 max current value: 4A

| Operating temperature | ATEX Certificate | IECEX Certificate |
|-----------------------|----------------------|--------------------|
| - 50°C ÷ + 180°C | INERIS 14 ATEX 9016U | IECEX INE 14.0055U |

| ATEX & IECEX Equipment Data | | |
|-----------------------------|------------------|------------------------------|
| Gas | Group I Zone 1 | II 2G Ex db IIC or IIB+H2 Gb |
| Dust | Group II Zone 21 | II 2D Ex tb IIIC Db IP66 |
| Mine | Group I | I M2 Ex db I Mb |



| Code | Ø A Threading | D | L1 | L2 | Wheight (g) |
|-------------------|---------------|----|-------|-------|-------------|
| RX25EFP3RD | M25x1.5 - 6g | 34 | 136.5 | 141 | 135 |
| RS25EFP3RD | M25x1.5 - 6g | 40 | 142.5 | 159.5 | 154 |

EMERGENCY PUSH BUTTON

| RS SERIES | RX SERIES |
|---|--|
| Suitable for Ex d electrical enclosure IIB+H2 Internal Volume < 160,6 dm ³ IIC Internal Volume < 62,9 dm ³ | Suitable for Ex d electrical enclosure IIB+H2 Internal Volume < 2 dm ³ IIC Internal Volume < 2 dm ³ |

| ORDER CODING | | |
|--------------|-----------------------|------------------------|
| Code | Normally open contact | Normally close contact |
| RX25EFP3RD | 0 - 0 NO | 0 - 0 NC |
| | 1 - 1 NO | 1 - 1 NC |
| | 2 - 2 NO | 2 - 2 NC |
| RS25EFP3RD | 3 - 3 NO | 3 - 3 NC |
| | 4 - 4 NO | 4 - 4 NC |
| | 5 - 5 NO | 5 - 5 NC |
| | 6 - 6 NO | 6 - 6 NC |

Example: RS25EFP3RD11

- Body in stainless steel AISI 316L
- Ring in stainless steel AISI 316L yellow painted
- Operating temperature: -60°C ÷ +180°C

INOX VERSION

| ORDER CODING | | |
|--------------|-----------------------|------------------------|
| Code | Normally open contact | Normally close contact |
| RXI25EFP3RD | 0 - 0 NO | 0 - 0 NC |
| | 1 - 1 NO | 1 - 1 NC |
| | 2 - 2 NO | 2 - 2 NC |
| RSI25EFP3RD | 3 - 3 NO | 3 - 3 NC |
| | 4 - 4 NO | 4 - 4 NC |
| | 5 - 5 NO | 5 - 5 NC |
| | 6 - 6 NO | 6 - 6 NC |

Example: RSI25EFP3RD11