

# EMERGENCY PUSH BUTTON



## Series EFR2

- Emergency push button mushroom type with rotary release up to 4 simultaneous electrical contacts
- Body in nickel plated brass, ring in aluminium yellow painted and other parts in plastic PA6
- Rated insulation voltage  $U_i$ : 300V
- Rated impulse voltage  $U_{imp}$ : 2.5 kV
- Nominal voltage: 230V
- AC1 max current value: 10A
- AC15 max current value: 4A

### Operating temperature

- 50°C ÷ + 180°C

### ATEX Certificate

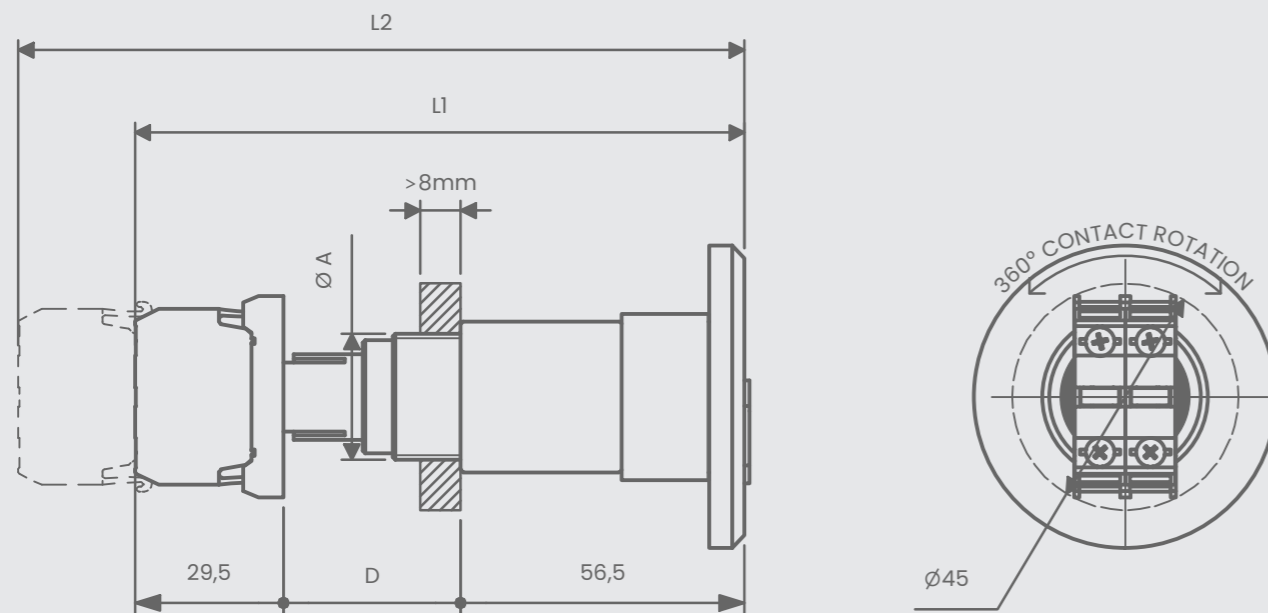
INERIS 14 ATEX 9016U

### IECEX Certificate

IECEX INE 14.0055U

### ATEX & IECEX Equipment Data

Gas	Group I Zone 1	Ex II 2G Ex db IIC or IIB+H2 Gb
Dust	Group II Zone 21	Ex II 2D Ex tb IIIC Db IP66
Mine	Group I	Ex I M2 Ex db I Mb



Code	Ø A Threading	D	L1	L2	Weight (g)
<b>RX20EFR2RD</b>	M20x1.5 - 6g	29	117.5	141	124
<b>RX25EFR2RD</b>	M25x1.5 - 6g	29	117.5	141	139
<b>RS20EFR2RD</b>	M20x1.5 - 6g	35	123.5	147	136
<b>RS25EFR2RD</b>	M25x1.5 - 6g	35	123.5	147	159

# EMERGENCY PUSH BUTTON

## RS SERIES

### Suitable for Ex d electrical enclosure

IIB+H2 Internal Volume < 160,6 dm<sup>3</sup>  
IIC Internal Volume < 62,9 dm<sup>3</sup>

## RX SERIES

### Suitable for Ex d electrical enclosure

IIB+H2 Internal Volume < 2 dm<sup>3</sup>  
IIC Internal Volume < 2 dm<sup>3</sup>

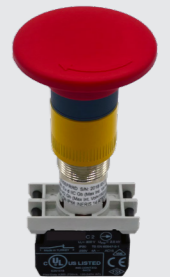
### ORDER CODING

Code	Normally open contact	Normally close contact
RX20EFR2RD	0 - 0 NO	0 - 0 NC
RX25EFR2RD	1 - 1 NO	1 - 1 NC
RS20EFR2RD	2 - 2 NO	2 - 2 NC
RS25EFR2RD	3 - 3 NO	3 - 3 NC
	4 - 4 NO	4 - 4 NC

Example: RS25EFR2RD11

- Body in stainless steel AISI 316L
- Ring in stainless steel AISI 316L yellow painted
- Operating temperature: -60°C ÷ +180°C

## INOX VERSION



### ORDER CODING

Codice	Normally open contact	Normally close contact
RXI20EFR2RD	0 - 0 NO	0 - 0 NC
RXI25EFR2RD	1 - 1 NO	1 - 1 NC
RSI20EFR2RD	2 - 2 NO	2 - 2 NC
RSI25EFR2RD	3 - 3 NO	3 - 3 NC
	4 - 4 NO	4 - 4 NC

Example: RSI25EFR2RD11