

# EMERGENCY PUSH BUTTON

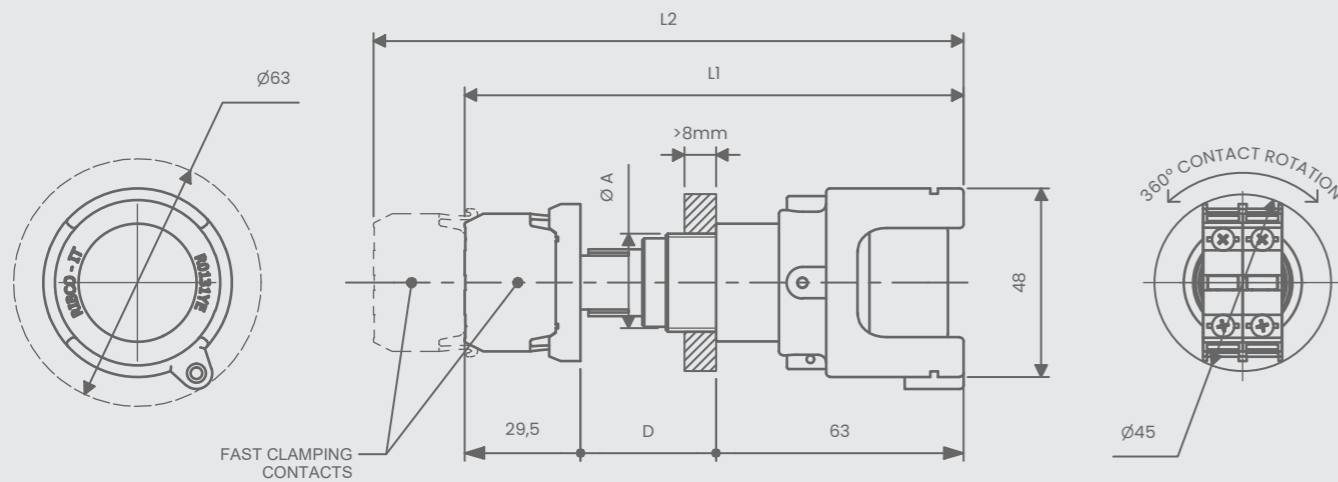


## Series EFRG

- Emergency push button mushroom type with rotary release, polycarbonate protection guard up to 4 simultaneous electrical contacts
- Body in nickel plated brass, ring in aluminium yellow painted and other parts in plastic PA6
- Rated insulation voltage  $U_i$ : 300V
- Rated impulse voltage  $U_{imp}$ : 2.5 kV
- Nominal voltage: 230V
- AC1 max current value: 10A
- AC15 max current value: 4A

Operating temperature	ATEX Certificate	IECEX Certificate
- 50°C ÷ + 180°C	INERIS 14 ATEX 9016U	IECEX INE 14.0055U

ATEX & IECEX Equipment Data		
<b>Gas</b>	Group I Zone 1	Ex II 2G Ex db IIC or IIB+H2 Gb
<b>Dust</b>	Group II Zone 21	Ex II 2D Ex tb IIIC Db IP66
<b>Mine</b>	Group I	Ex I M2 Ex db I Mb



Code	Ø A Threading	D	L1	L2	Weight (g)
<b>RX20EFRGRD</b>	M20x1.5 - 6g	28.5	121	144	215
<b>RX25EFRGRD</b>	M25x1.5 - 6g	28.5	121	144	230
<b>RS20EFRGRD</b>	M20x1.5 - 6g	34.5	127	150	226
<b>RS25EFRGRD</b>	M25x1.5 - 6g	34.5	127	150	249

# EMERGENCY PUSH BUTTON

RS SERIES	RX SERIES
<b>Suitable for Ex d electrical enclosure</b> IIB+H2 Internal Volume < 160,6 dm³ IIC Internal Volume < 62,9 dm³	<b>Suitable for Ex d electrical enclosure</b> IIB+H2 Internal Volume < 2 dm³ IIC Internal Volume < 2 dm³

ORDER CODING		
Code	Normally open contact	Normally close contact
RX20EFRGRD	0 - 0 NO	0 - 0 NC
RX25EFRGRD	1 - 1 NO	1 - 1 NC
RS20EFRGRD	2 - 2 NO	2 - 2 NC
RS25EFRGRD	3 - 3 NO	3 - 3 NC
	4 - 4 NO	4 - 4 NC

Example: RS25EFRGRD11

- Body in stainless steel AISI 316L
- Ring and protection guard in stainless steel AISI 316L yellow painted
- Operating temperature: -60°C ÷ +180°C

**INOX VERSION**

ORDER CODING		
Codice	Normally open contact	Normally close contact
RXI20EFRGRD	0 - 0 NO	0 - 0 NC
RXI25EFRGRD	1 - 1 NO	1 - 1 NC
RSI20EFRGRD	2 - 2 NO	2 - 2 NC
RSI25EFRGRD	3 - 3 NO	3 - 3 NC
	4 - 4 NO	4 - 4 NC

Example: RSI25EFRGRD11