

# EMERGENCY PUSH BUTTON



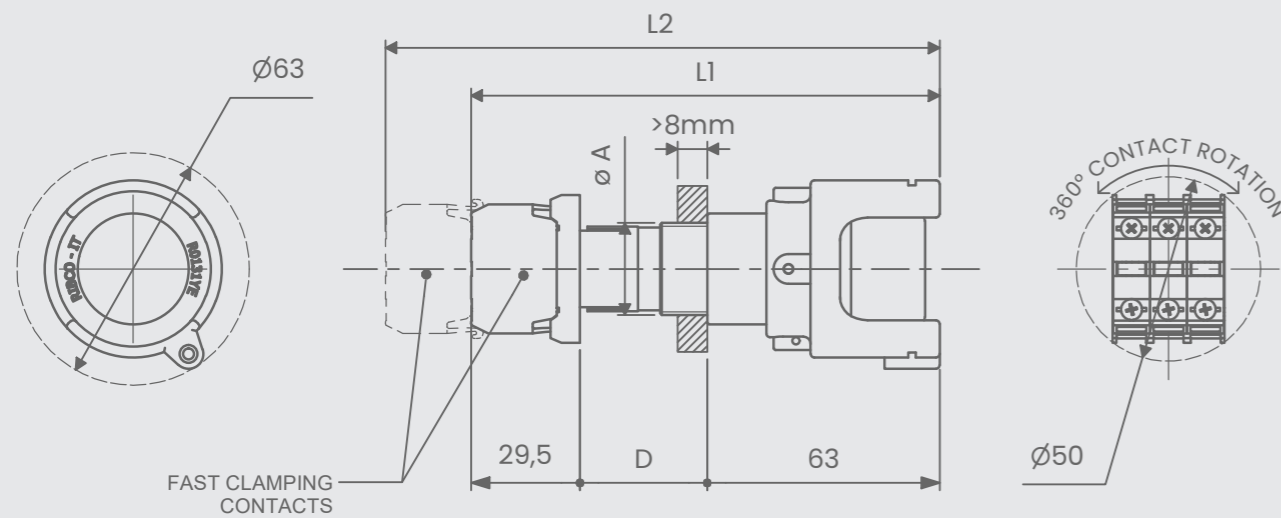
## Series EFR3G

UP TO 6 CONTACTS

- Emergency push button mushroom type with rotary release, polycarbonate protection guard up to 6 simultaneous electrical contact
- Body in nickel plated brass, ring in aluminium yellow painted and other parts in plastic PA6
- Rated insulation voltage  $U_i$ : 300V
- Rated impulse voltage  $U_{imp}$ : 2.5 kV
- Nominal voltage: 230V
- AC1 max current value: 10A
- AC15 max current value: 4A

Operating temperature	ATEX Certificate	IECEX Certificate
- 50°C ÷ + 180°C	INERIS 14 ATEX 9016U	IECEX INE 14.0055U

ATEX & IECEX Equipment Data		
Gas	Group I Zone 1	Ex II 2G Ex db IIC or IIB+H2 Gb
Dust	Group II Zone 21	Ex II 2D Ex tb IIIC Db IP66
Mine	Group I	Ex I M2 Ex db I Mb



Code	Ø A Threading	D	L1	L2	Weight (g)
RX25EFR3GRD	M25x1.5 - 6g	29	117.5	141	156
RS25EFR3GRD	M25x1.5 - 6g	35	123.5	147	175

# EMERGENCY PUSH BUTTON

RS SERIES	RX SERIES	
<b>Suitable for Ex d electrical enclosure</b> IIB+H2 Internal Volume < 160,6 dm <sup>3</sup> IIC Internal Volume < 62,9 dm <sup>3</sup>	<b>Suitable for Ex d electrical enclosure</b> IIB+H2 Internal Volume < 2 dm <sup>3</sup> IIC Internal Volume < 2 dm <sup>3</sup>	
ORDER CODING		
Code	Normally open contact	Normally close contact
RX25EFR3GRD	0 - 0 NO 1 - 1 NO 2 - 2 NO 3 - 3 NO	0 - 0 NC 1 - 1 NC 2 - 2 NC 3 - 3 NC
RS25EFR3GRD	4 - 4 NO 5 - 5 NO 6 - 6 NO	4 - 4 NC 5 - 5 NC 6 - 6 NC

Example: RS25EFR3GRD11

- Body in stainless steel AISI 316L
- Ring and protection guard in stainless steel AISI 316L yellow painted
- Operating temperature: -60°C ÷ +180°C

**INOX VERSION**

ORDER CODING		
Code	Normally open contact	Normally close contact
RXI25EFR3GRD	0 - 0 NO 1 - 1 NO 2 - 2 NO 3 - 3 NO	0 - 0 NC 1 - 1 NC 2 - 2 NC 3 - 3 NC
RSI25EFR3GRD	4 - 4 NO 5 - 5 NO 6 - 6 NO	4 - 4 NC 5 - 5 NC 6 - 6 NC

Example: RSI25EFR3GRD11