

# EMERGENCY PUSH BUTTON



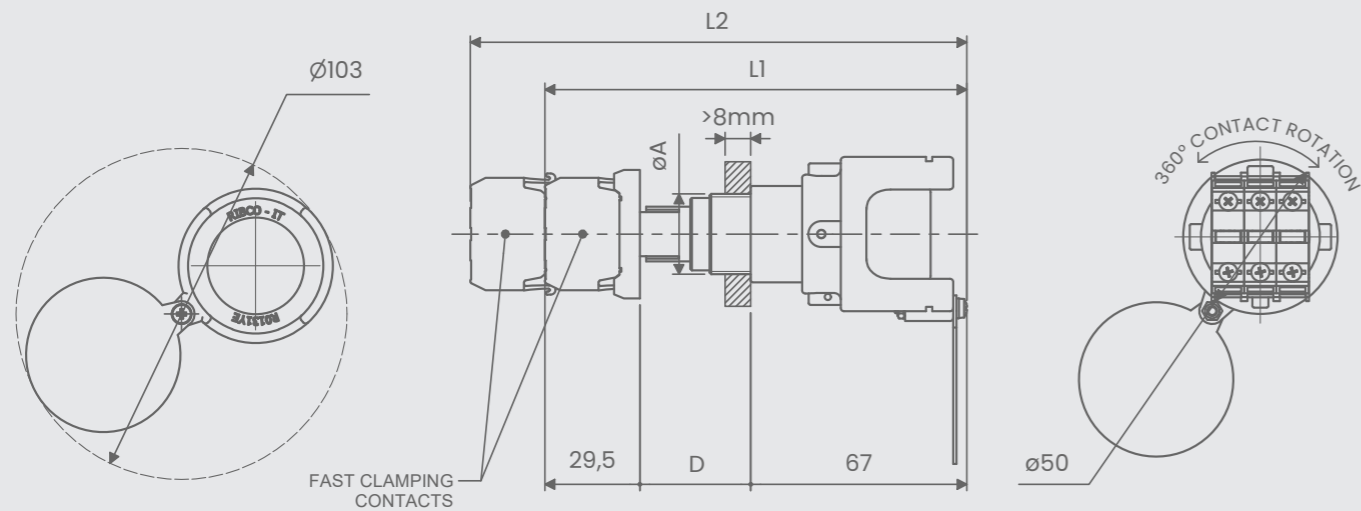
## Series EFR3GP

UP TO 6 CONTACTS

- Emergency push button mushroom type with rotary release, polycarbonate protection guard and stainless steel AISI 316L rotary plate up to 6 simultaneous electrical contacts
- Body in nickel plated brass, ring in aluminium yellow painted and other parts in plastic PA6
- Rated insulation voltage  $U_i$ : 300V
- Rated impulse voltage  $U_{imp}$ : 2.5 kV
- Nominal voltage: 230V
- AC1 max current value: 10A
- AC15 max current value: 4A

Operating temperature	ATEX Certificate	IECEX Certificate
- 50°C ÷ + 180°C	INERIS 14 ATEX 9016U	IECEX INE 14.0055U

ATEX & IECEX Equipment Data		
<b>Gas</b>	Group I Zone 1	Ex II 2G Ex db IIC or IIB+H2 Gb
<b>Dust</b>	Group II Zone 21	Ex II 2D Ex tb IIIC Db IP66
<b>Mine</b>	Group I	Ex I M2 Ex db I Mb



Code	Ø A Threading	D	L1	L2	Weight (g)
<b>RX25EFR3GPRD</b>	M25x1.5 - 6g	29	125	148	319
<b>RS25EFR3GPRD</b>	M25x1.5 - 6g	35	131	154	337

# EMERGENCY PUSH BUTTON

RS SERIES	RX SERIES
<b>Suitable for Ex d electrical enclosure</b> IIB+H2 Internal Volume < 160,6 dm <sup>3</sup> IIC Internal Volume < 62,9 dm <sup>3</sup>	<b>Suitable for Ex d electrical enclosure</b> IIB+H2 Internal Volume < 2 dm <sup>3</sup> IIC Internal Volume < 2 dm <sup>3</sup>

ORDER CODING		
Code	Normally open contact	Normally close contact
RX25EFR3GPRD	0 - 0 NO	0 - 0 NC
	1 - 1 NO	1 - 1 NC
	2 - 2 NO	2 - 2 NC
RS25EFR3GPRD	3 - 3 NO	3 - 3 NC
	4 - 4 NO	4 - 4 NC
	5 - 5 NO	5 - 5 NC
	6 - 6 NO	6 - 6 NC

Example: RS25EFR3GPRD11

- Body in stainless steel AISI 316L
- Rotary plate in stainless steel AISI 316L
- Ring and protection guard in stainless steel AISI 316L yellow painted
- Operating temperature: -60°C ÷ +180°C

## INOX VERSION



ORDER CODING		
Code	Normally open contact	Normally close contact
RXI25EFR3GPRD	0 - 0 NO	0 - 0 NC
	1 - 1 NO	1 - 1 NC
	2 - 2 NO	2 - 2 NC
RSI25EFR3GPRD	3 - 3 NO	3 - 3 NC
	4 - 4 NO	4 - 4 NC
	5 - 5 NO	5 - 5 NC
	6 - 6 NO	6 - 6 NC

Example: RSI25EFR3GPRD11