

# CAM OPERATED SWITCH

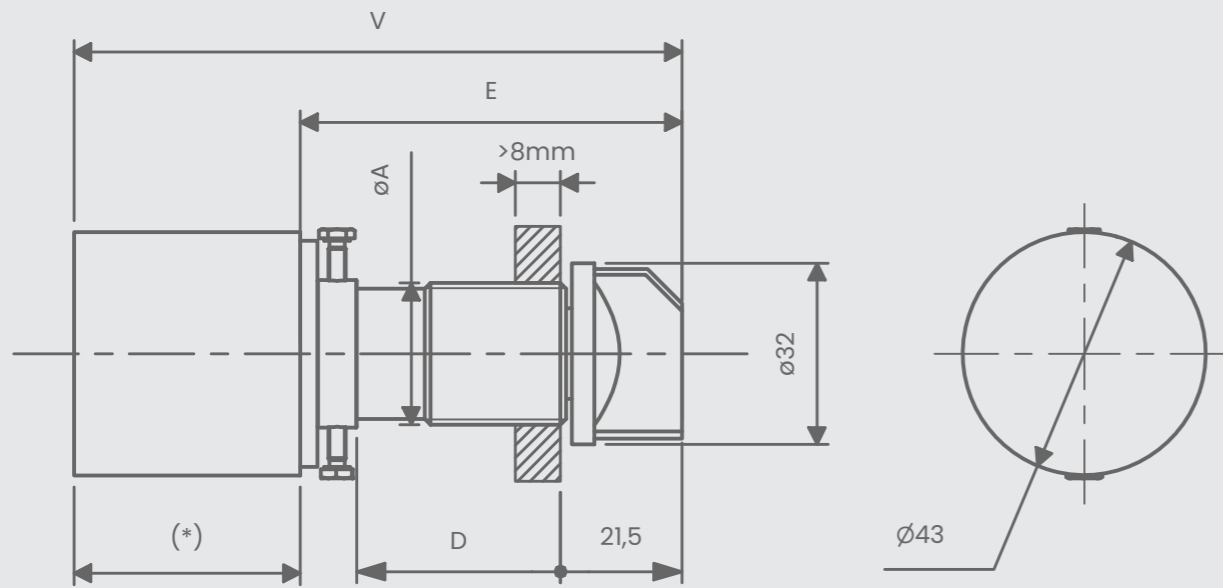


## Series M5A

- Rotary CAM switch with black plastic knob
- Body in nickel plated brass and other parts in plastic PA6
- Rate degree of protection: IP66
- Cable cross section: 1.5 ÷ 2.5 mm<sup>2</sup>
- Rated insulation voltage: 750V
- Max voltage: 660V
- Max rated operational current: 25A
- AC1 max current value: 16A
- AC3 max current value: 6A
- Max rated power for 3-phase motor 50/60Hz at 380-440V: 5,5 kW

Operating temperature	ATEX Certificate	IECEX Certificate
- 50°C ÷ + 180°C	INERIS 14 ATEX 9016U	IECEX INE 14.0055U

ATEX & IECEX Equipment Data		
<b>Gas</b>	Group I Zone 1	Ex II 2G Ex db IIC or IIB+H2 Gb
<b>Dust</b>	Group II Zone 21	Ex II 2D Ex tb IIIC Db IP66
<b>Mine</b>	Group I	Ex I M2 Ex db I Mb



\* Length changes according to the type of contact chosen

Code	ø A Threading	D	E	V	Wheight (g)
<b>RX20M5A</b>	M20x1.5 - 6g	21	52.5	81 ÷ 105.5	82
<b>RX25M5A</b>	M25x1.5 - 6g	21	52.5	81 ÷ 105.5	113
<b>RS20M5A</b>	M20x1.5 - 6g	36	67.5	96 ÷ 120.5	93
<b>RS25M5A</b>	M25x1.5 - 6g	36	67.5	96 ÷ 120.5	145

# CAM OPERATED SWITCH

RS SERIES	RX SERIES
-----------	-----------

## Suitable for Ex d electrical enclosure

IIB+H2 Internal Volume < 160,6 dm<sup>3</sup>  
IIC Internal Volume < 62,9 dm<sup>3</sup>

## Suitable for Ex d electrical enclosure

IIB+H2 Internal Volume < 2 dm<sup>3</sup>  
IIC Internal Volume < 2 dm<sup>3</sup>

ORDER CODING	
--------------	--

Code	Electrical contact
RX20M5A	K1002
RX25M5A	K1003
RS20M5A	K2003
RS25M5A	K2023
	K3004
	K3021

Example: RX25M5A-K1002