

CAM OPERATED SWITCH

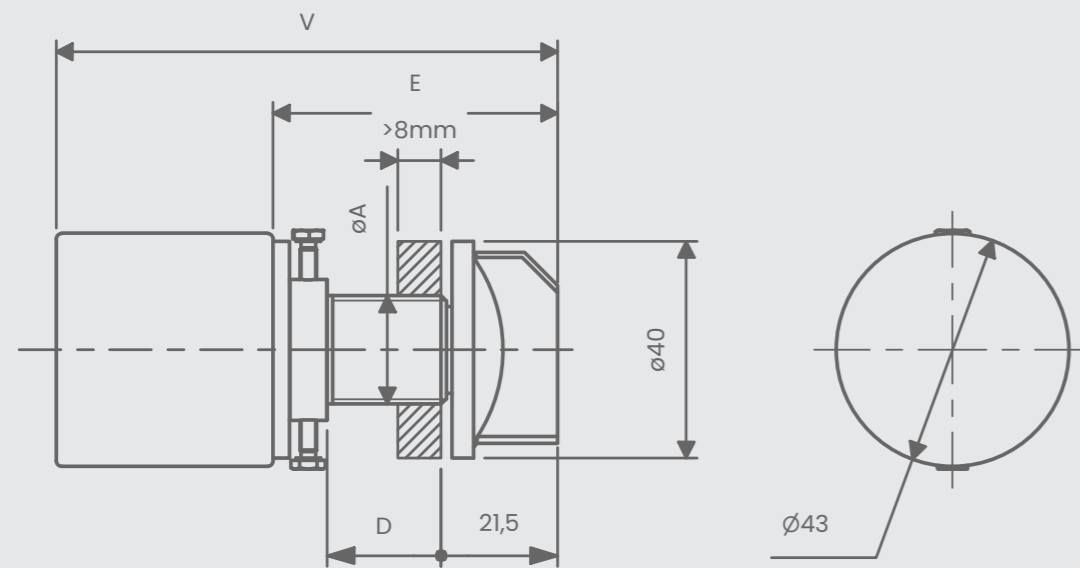


Series M5B

- Rotary CAM switch with black plastic knob
- Body in nickel plated brass and other parts in plastic PA6
- Rate degree of protection: IP66
- Cable cross section: 1.5 ÷ 2.5 mm²
- Rated insulation voltage: 750V
- Max voltage: 660V
- Max rated operational current: 25A
- AC1 max current value: 16A
- AC3 max current value: 6A
- Max rated power for 3-phase motor 50/60Hz at 380-440V: 5,5 kW

Operating temperature	ATEX Certificate	IECEX Certificate
- 50°C ÷ + 180°C	INERIS 14 ATEX 9016U	IECEX INE 14.0055U

ATEX & IECEX Equipment Data		
Gas	Group I Zone 1	Ex II 2G Ex db IIC or IIB+H2 Gb
Dust	Group II Zone 21	Ex II 2D Ex tb IIIC Db IP66
Mine	Group I	Ex I M2 Ex db I Mb



* Length changes according to the type of contact chosen

Code	Ø A Threading	D	E	V	Weight (g)
RX20M5B	M20x1.5 - 6g	22	52.5	81 ÷ 105.5	88
RX25M5B	M25x1.5 - 6g	22	52.5	81 ÷ 105.5	119
RS20M5B	M20x1.5 - 6g	37	67.5	96 ÷ 120.5	99
RS25M5B	M25x1.5 - 6g	37	67.5	96 ÷ 120.5	151

CAM OPERATED SWITCH

RS SERIES	RX SERIES
Suitable for Ex d electrical enclosure IIB+H2 Internal Volume < 160,6 dm ³ IIC Internal Volume < 62,9 dm ³	Suitable for Ex d electrical enclosure IIB+H2 Internal Volume < 2 dm ³ IIC Internal Volume < 2 dm ³

ORDER CODING		
Code		Electrical contact
RX20M5B		K1002
RX25M5B		K1003
RS20M5B	+	K2003
RS25M5B		K2023
		K3004
		K3021

Example: RX25M5B-K1002

- Body and knob in stainless steel AISI 316L
- Operating temperature: -60°C ÷ +180°C

INOX VERSION



ORDER CODING		
Codice		Electrical contact
RX120M5B		K1002
RX125M5B		K1003
RS120M5B	+	K2003
RS125M5B		K2023
		K3004
		K3021

Example: RS125M5B-K1002