

CAM OPERATED SWITCH

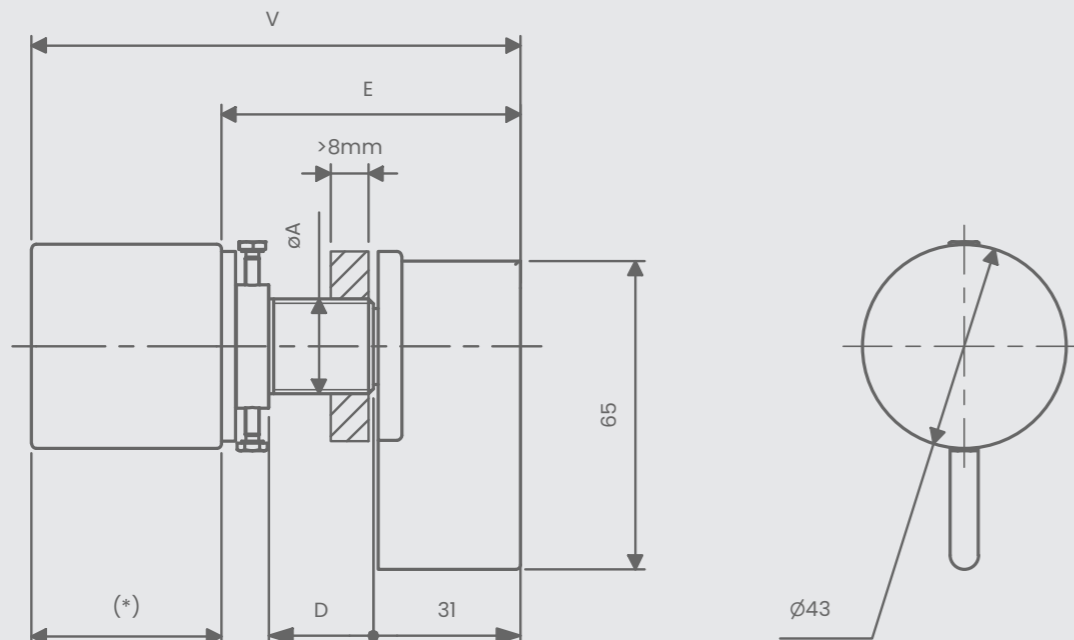


Series M5C

- Rotary CAM switch with black plastic knob
- Body in nickel plated brass and other parts in plastic PA6
- Rate degree of protection: IP66
- Cable cross section: 1.5 ÷ 2.5 mm²
- Rated insulation voltage: 750V
- Max voltage: 660V
- Max rated operational current: 25A
- AC1 max current value: 16A
- AC3 max current value: 6A
- Max rated power for 3-phase motor 50/60Hz at 380-440V: 5,5 kW

Operating temperature	ATEX Certificate	IECEX Certificate
- 50°C ÷ + 180°C	INERIS 14 ATEX 9016U	IECEX INE 14.0055U

ATEX & IECEX Equipment Data		
Gas	Group I Zone 1	II 2G Ex db IIC or IIB+H2 Gb
Dust	Group II Zone 21	II 2D Ex tb IIIC Db IP66
Mine	Group I	I M2 Ex db I Mb



Code	Ø A Threading	D	E	V	Wheight (g)
RXI20M5C	M20x1.5 - 6g	22	63	91.5 ÷ 116	88
RXI25M5C	M25x1.5 - 6g	22	63	91.5 ÷ 116	119
RSI20M5C	M20x1.5 - 6g	37	78	106 ÷ 131	99
RSI25M5C	M25x1.5 - 6g	37	78	106 ÷ 161	151

CAM OPERATED SWITCH

RS SERIES	RX SERIES
Suitable for Ex d electrical enclosure IIB+H2 Internal Volume < 160,6 dm ³ IIC Internal Volume < 62,9 dm ³	Suitable for Ex d electrical enclosure IIB+H2 Internal Volume < 2 dm ³ IIC Internal Volume < 2 dm ³
ORDER CODING	
Code	Electrical contact
RXI20M5C	K1002
RXI25M5C	K1003
RSI20M5C	K2003
RSI25M5C	K2023
	K3004
	K3021

Example: RXI25M5C-K1002