

POTENTIOMETER

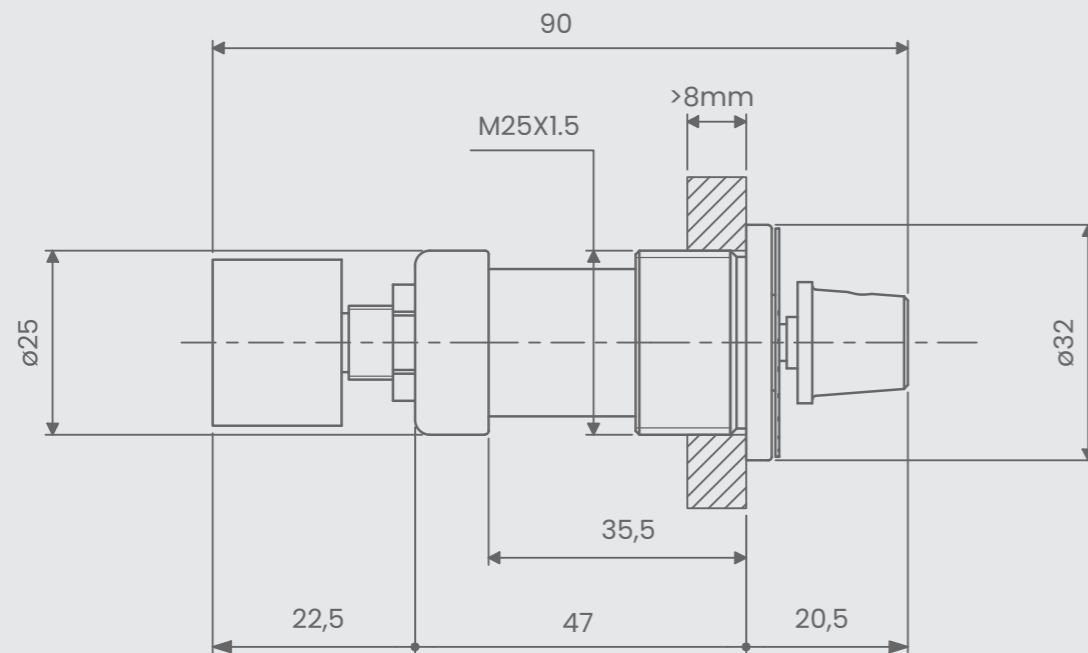


Series PT

- Potentiometer single turn
- Body in nickel plated brass
- Resistance range: 5 Ω to 20KΩ (Linear)
- Resistance values: 1.2 and 5 in each decade
- Resistance tolerance: 10%
- Linearity: 2% maximum
- Rated dissipation at 40°C: 1W
- Maximum working voltage: 200V DC
- Electrical rotation: 285° ± 5°
- Maximum wiper current: 100mA
- Insulation resistance: 1000M Ohms at 500V DC

Operating temperature	ATEX Certificate	IECEX Certificate
- 50°C ÷ + 180°C	INERIS 14 ATEX 9016U	IECEX INE 14.0055U

ATEX & IECEX Equipment Data		
Gas	Group I Zone 1	Ex II 2G Ex db IIC or IIB+H2 Gb
Dust	Group II Zone 21	Ex II 2D Ex tb IIIC Db IP66
Mine	Group I	Ex I M2 Ex db I Mb



POTENTIOMETER

RS SERIES		RX SERIES	
Suitable for Ex d electrical enclosure		Suitable for Ex d electrical enclosure	
IIB+H2 Internal Volume < 160,6 dm³ IIC Internal Volume < 62,9 dm³		IIB+H2 Internal Volume < 2 dm³ IIC Internal Volume < 2 dm³	
ORDER CODING			
Code		Electrical contact	
RS25PT	+	TW1101KA (100 Ω)	TW1103KA (10 KΩ)
		TW1201KA (200 Ω)	TW1253KA (25 KΩ)
		TW1501KA (500 Ω)	TW1503KA (50 KΩ)
		TW1102KA (100 KΩ)	TW1104KA (100 KΩ)
		TW1252KA (2.5 KΩ)	TW1254KA (250 KΩ)
		TW1502KA (5 KΩ)	

Example: RS25PT-TW110KA

- Body in stainless steel AISI 316L
- Operating temperature: -60°C ÷ +180°C

INOX VERSION

ORDER CODING			
Code		Electrical contact	
RSI25PT	+	TW1101KA (100 Ω)	TW1103KA (10 KΩ)
		TW1201KA (200 Ω)	TW1253KA (25 KΩ)
		TW1501KA (500 Ω)	TW1503KA (50 KΩ)
		TW1102KA (100 KΩ)	TW1104KA (100 KΩ)
		TW1252KA (2.5 KΩ)	TW1254KA (250 KΩ)
		TW1502KA (5 KΩ)	

Example: RSI25PT-TW110KA