

POTENTIOMETER

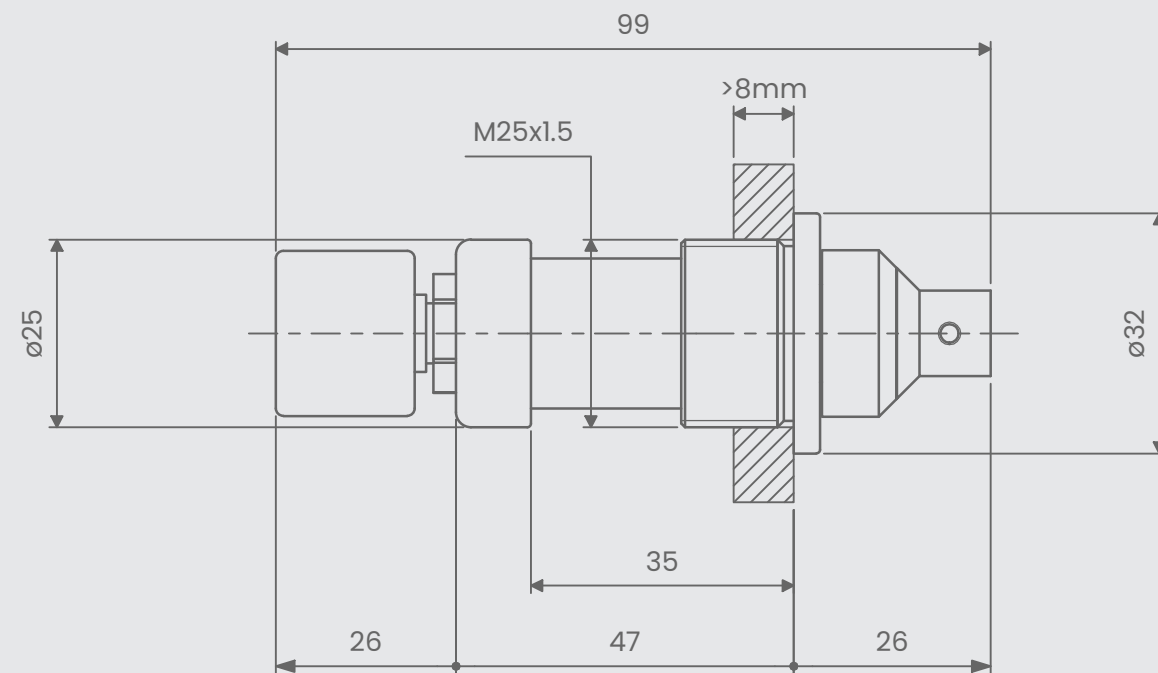


Series PMA

- Potentiometer multi turn
- Body in nickel plated brass
- Resistance range: 10 Ω to 200Ω
- Rotation: 360° ±10°
- Power rating (at 70°): 2.0W
- Shaft torque: 3.5 - 100mNm
- Standard tolerance: ±5%
- Noise: 100Ω
- Linearity: ± 0.25%
- Load life: 900h
- Rotational life (shaft revolution): 1 000 000

Operating temperature	ATEX Certificate	IECEX Certificate
- 50°C ÷ + 180°C	INERIS 14 ATEX 9016U	IECEX INE 14.0055U

ATEX & IECEX Equipment Data		
Gas	Group I Zone 1	Ex II 2G Ex db IIC or IIB+H2 Gb
Dust	Group II Zone 21	Ex II 2D Ex tb IIIC Db IP66
Mine	Group I	Ex I M2 Ex db I Mb



POTENTIOMETER

RS SERIES	RX SERIES
Suitable for Ex d electrical enclosure IIB+H2 Internal Volume < 160,6 dm³ IIC Internal Volume < 62,9 dm³	Suitable for Ex d electrical enclosure IIB+H2 Internal Volume < 2 dm³ IIC Internal Volume < 2 dm³

ORDER CODING			
Code		Electrical contact	
RS25PMA	+	534B1101JL (100 Ω)	534B1103JL (10 KΩ)
		534B1201JL (200 Ω)	534B1253JL (25 KΩ)
		534B1501JL (500 Ω)	534B1503JL (50 KΩ)
		534B1102J (1 KΩ)	534B1104JL (100 KΩ)
		534B1252JL (2.5 KΩ)	534B1254JL (250 KΩ)
		534B1502JL (5 KΩ)	

Example: RS25PMA-5341101JL

- Body in stainless steel AISI 316L
- Operating temperature: -60°C ÷ +180°C

INOX VERSION

ORDER CODING			
Code		Electrical contact	
RSI25PMA	+	534B1101JL (100 Ω)	534B1103JL (10 KΩ)
		534B1201JL (200 Ω)	534B1253JL (25 KΩ)
		534B1501JL (500 Ω)	534B1503JL (50 KΩ)
		534B1102J (1 KΩ)	534B1104JL (100 KΩ)
		534B1252JL (2.5 KΩ)	534B1254JL (250 KΩ)
		534B1502JL (5 KΩ)	

Example: RSI25PMA-5341101JL