

PUSH BUTTON WITH RUBBER MEMBRANE

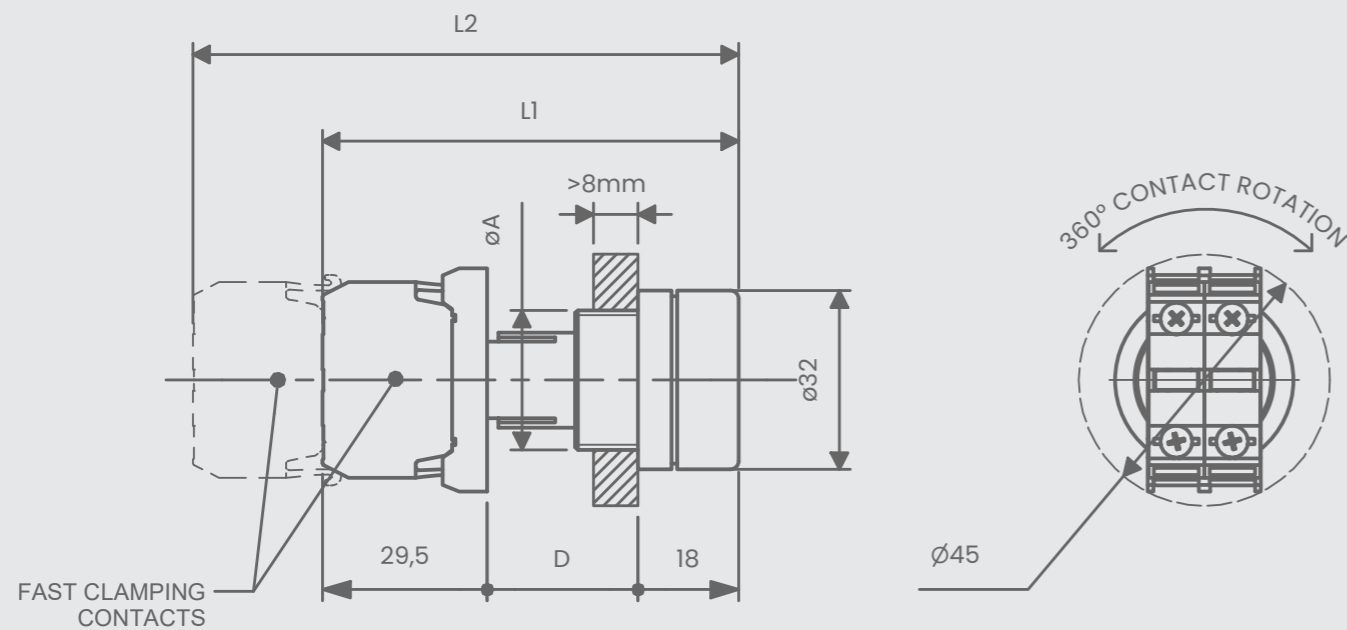


Series EPXG

- Push button spring return up to 4 simultaneous electrical contacts
- Membrane in fluorosilicone
- Body in nickel plated brass and other parts in plastic PA6
- Rated insulation voltage U_i : 300V
- Rated impulse voltage U_{imp} : 2.5 kV
- Nominal voltage: 230V
- AC1 max current value: 10A
- AC15 max current value: 4A

Operating temperature	ATEX Certificate	IECEX Certificate
- 50°C ÷ + 180°C	INERIS 14 ATEX 9016U	IECEX INE 14.0055U

ATEX & IECEX Equipment Data		
Gas	Group I Zone 1	Ex II 2G Ex db IIC or IIB+H2 Gb
Dust	Group II Zone 21	Ex II 2D Ex tb IIIC Db IP66
Mine	Group I	Ex I M2 Ex db I Mb



Code	Ø A Threading	D	L1	L2	Wheight (g)
RXK20EPXG	M20x1.5 - 6g	27	74,5	98	111
RSK20EPXG	M20x1.5 - 6g	33	80,5	104	124

PUSH BUTTON WITH RUBBER MEMBRANE

RS SERIES	RX SERIES
Suitable for Ex d electrical enclosure IIB+H2 Internal Volume < 160,6 dm ³ IIC Internal Volume < 62,9 dm ³	Suitable for Ex d electrical enclosure IIB+H2 Internal Volume < 2 dm ³ IIC Internal Volume < 2 dm ³

ORDER CODING			
Code	Button color	Normally open contact	Normally close contact
RXK20EPXG	BK ●	0 - 0 NO	0 - 0 NC
	BU ●	1 - 1 NO	1 - 1 NC
	YE ●	2 - 2 NO	2 - 2 NC
	RD ●	3 - 3 NO	3 - 3 NC
RSK20EPXG	GN ●	4 - 4 NO	4 - 4 NC
	WH ○		
	GY ●		

Example: RXK25EP3BU11

- Body and ring in stainless steel AISI 316L
- Operating temperature: -60°C ÷ +180°C

INOX VERSION

ORDER CODING			
Codice	Button color	Normally open contact	Normally close contact
RXI20EPXG	BK ●	0 - 0 NO	0 - 0 NC
	BU ●	1 - 1 NO	1 - 1 NC
	YE ●	2 - 2 NO	2 - 2 NC
	RD ●	3 - 3 NO	3 - 3 NC
RSI25EPXG	GN ●	4 - 4 NO	4 - 4 NC
	WH ○		
	GY ●		

Example: RSI25EPXBK11