

PUSH BUTTON SPRING RETURN



Series EP3

UP TO 6 CONTACTS

- Push button spring return up to 6 simultaneous electrical contacts
- Body in nickel plated brass and other parts in plastic PA6
- Rated insulation voltage U_i : 300V
- Rated impulse voltage U_{imp} : 2.5 kV
- Nominal voltage: 230V
- AC1 max current value: 10A
- AC15 max current value: 4A

Operating temperature

- 40°C ÷ + 180°C

ATEX Certificate

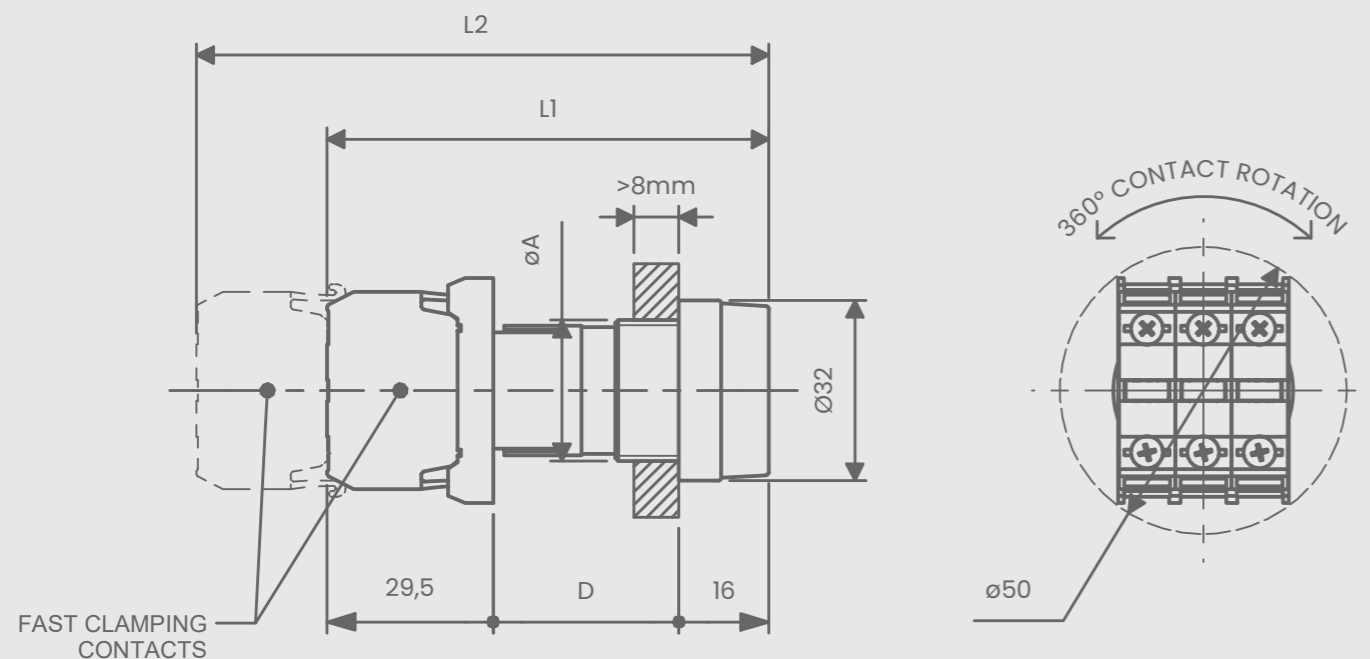
INERIS 14 ATEX 9016U

IECEX Certificate

IECEX INE 14.0055U

ATEX & IECEX Equipment Data

Gas	Group I Zone 1	Ex II 2G Ex db IIC or IIB+H2 Gb
Dust	Group II Zone 21	Ex II 2D Ex tb IIIC Db IP66
Mine	Group I	Ex I M2 Ex db I Mb



Code	Ø A Threading	D	L1	L2	Weight (g)
RX25EP3	M25x1.5 - 6g	27	72,5	96	72
RS25EP3	M25x1.5 - 6g	33	78,5	102	95

PUSH BUTTON SPRING RETURN

RS SERIES

Suitable for Ex d electrical enclosure

IIB+H2 Internal Volume < 160,6 dm³
IIC Internal Volume < 62,9 dm³

RX SERIES

Suitable for Ex d electrical enclosure

IIB+H2 Internal Volume < 2 dm³
IIC Internal Volume < 2 dm³

ORDER CODING

Code	Button color	Normally open contact	Normally close contact
RX25EP3	BK ●	0 - 0 NO	0 - 0 NC
	BU ●	1 - 1 NO	1 - 1 NC
	YE ●	2 - 2 NO	2 - 2 NC
RS25EP3	RD ●	3 - 3 NO	3 - 3 NC
	GN ●	4 - 4 NO	4 - 4 NC
	WH ○	5 - 5 NO	5 - 5 NC
	WH ○	6 - 6 NO	6 - 6 NC

Example: RX25EPWH11

- Body and ring in stainless steel AISI 316L
- Operating temperature: -60°C ÷ +180°C

INOX VERSION



ORDER CODING

Code	Button color	Normally open contact	Normally close contact
RXI25EP3	BK ●	0 - 0 NO	0 - 0 NC
	BU ●	1 - 1 NO	1 - 1 NC
	YE ●	2 - 2 NO	2 - 2 NC
RSI25EP3	RD ●	3 - 3 NO	3 - 3 NC
	GN ●	4 - 4 NO	4 - 4 NC
	WH ○	5 - 5 NO	5 - 5 NC
	WH ○	6 - 6 NO	6 - 6 NC

Example: RSI25EP3WH11