

BREATHING VALVES

VD Series

Series VD are draining and breathing devices. The devices allow the fluid passage (draining function) or the air passage (breathing function) from the internal to the external of an explosion proof enclosure.

Features

Material used: stainless steel AISI 316L

Operating temperature: -60°C up to 60°C

NPT thread: 3/8" or to 1/2"

ISO 262 thread: M16x1.5 or M20x1.5

Degree of protection: IP66



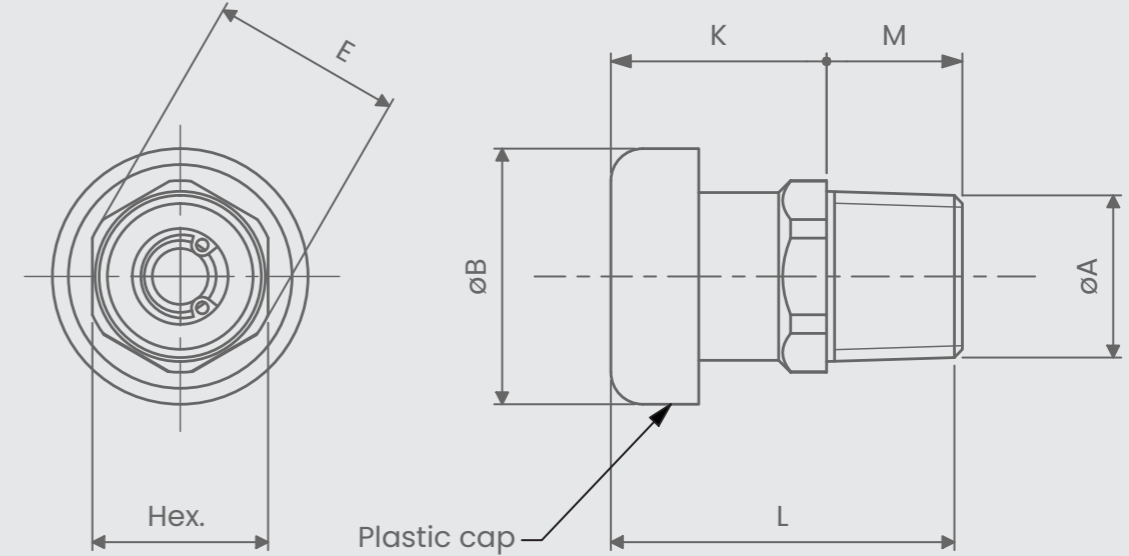
ATEX & IECEx Equipment Data		
Gas	Group II Zone 1	Ex d I Mb Ex d II (*) Gb Ex e IIC Gb
Dust	Group II Zone 21	Ex tb IIIC Db IP66 (*)
ATEX Certificate		IECEx Certificate
INERIS 14 ATEX 9014U		IECEx INE 14.0045U

(*) - **IIB + H2** when installed on Ex d enclosure with maximum intrnal volume of 160,6 dm³
 - **IIC** when installed on enclosure with maximum internal volume of 62.9 dm³

(**) - The protection index IP66 is guaranteed only when the plastic cap (VD03) is applicated on the valve and when the valve is applicated vertically. Conversely the protection index is IP64.

BREATHING VALVES

VD Series



Code	øA	øB	M	K	Hex.	E	L
VD38S	3/8" NPT	27	13	31	17	19	44
VD1S	1/2" NPT	32	17	27	22	24	44
VD16S	M16x1.5	32	13	31	22	24	44
VD20S	M20x1.5	37	17	27	27	30	44