

# REDUCER MALE / FEMALE

## RE Series

Explosion proof reducer from male to female thread.

### Features

**Material used:** nickel plated brass CW614N

**Operating temperature:** -40°C up to 100°C with EPDM sealing rings

**NPT thread:** from 3/8" up to 2"

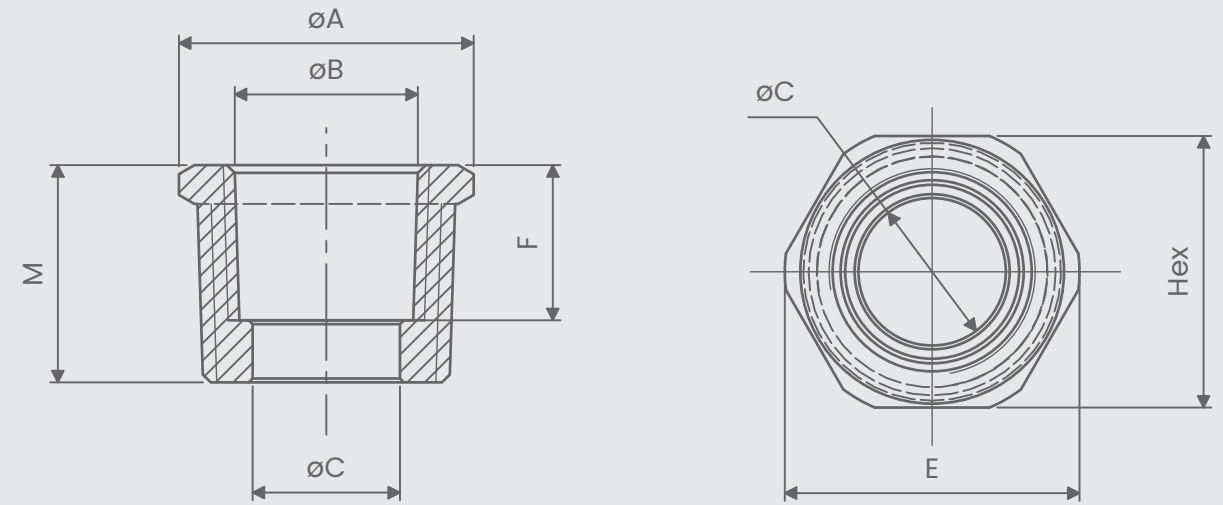
**ISO 262 thread:** from M16x1.5 up to M63x1.5

**Degree of protection:** IP66



# REDUCER MALE / FEMALE

## NPT - NPT



### ATEX & IECEx Equipment Data

<b>Gas</b>	Group II Zone 1	Ex d I Mb Ex d IIC Gb Ex e IIC Gb
<b>Dust</b>	Group II Zone 21	Ex tb IIIC Db IP66

### ATEX Certificate

INERIS 14 ATEX 0029X

### IECEx Certificate

IECEx INE 14.0038X

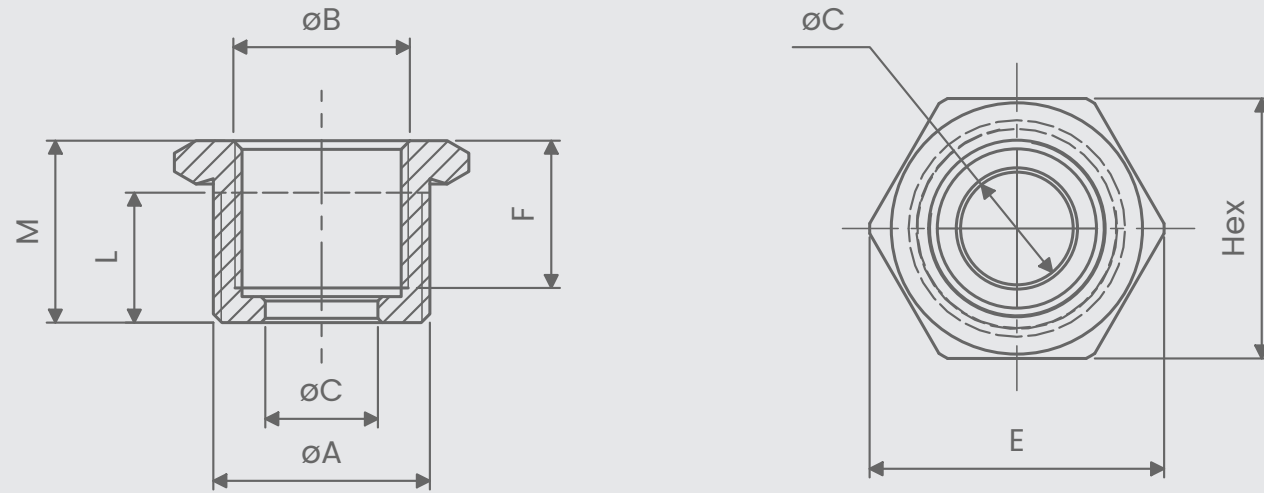
### Options available

- Stainless steel AISI 316L construction
- Aluminium construction (available on demand)
- Galvanized steel construction (available on demand)
- Red silicon sealings rings with operating temperature range from -60°C up to 180°C

Code	$\varnothing A$	$\varnothing B$	M	F	Hex	$\varnothing C$	E
<b>RE138B</b>	1/2"	3/8"	22	19	24	10	27
<b>RE21B</b>	3/4"	1/2"	23	20	28	13	31
<b>RE31B</b>	1"	1/2"	28	20	35	13	38
<b>RE32B</b>	1"	3/4"	28	20	35	19	38
<b>RE42B</b>	1.1/4"	3/4"	29	20	44	19	48
<b>RE43B</b>	1.1/4"	1"	29	25	44	25	48
<b>RE53B</b>	1.1/2"	1"	29	25	50	25	54
<b>RE54B</b>	1.1/2"	1.1/4"	29	25	50	32	54
<b>RE64B</b>	2"	1.1/4"	30	25	62	32	67
<b>RE65B</b>	2"	1.1/2"	30	25	62	38	67

# REDUCER MALE / FEMALE

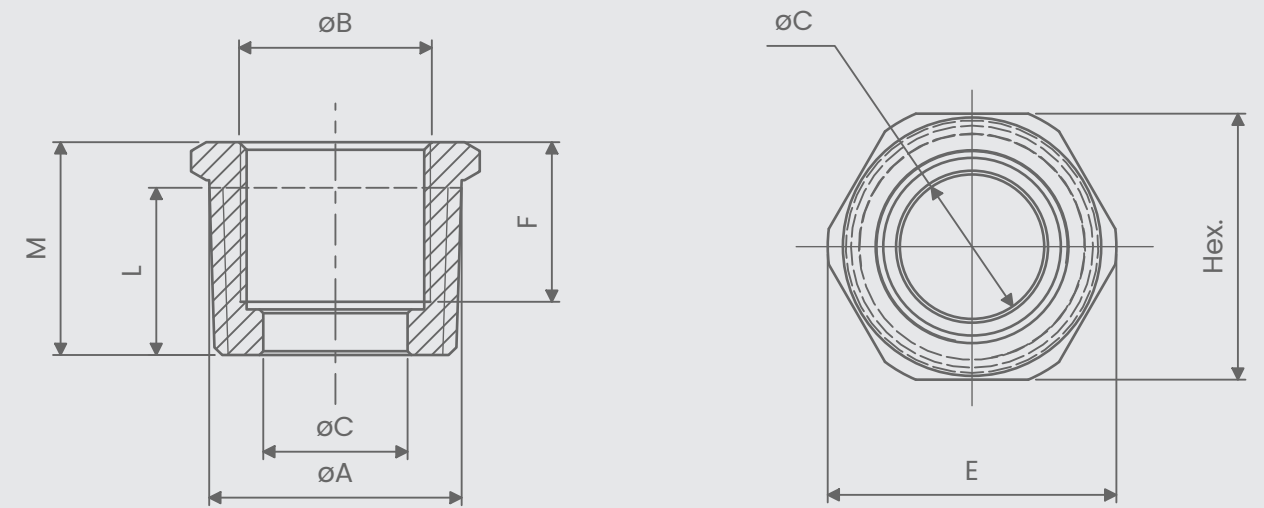
## ISO - ISO



Code	Ø A	Ø B	M	F	L	Hex	øC	E
RE2016B	M20x1.5	M16x1.5	20	16	17	26	10	28
RE2520B	M25x1.5	M20x1.5	21	17	18	30	13	34
RE3220B	M32x1.5	M20x1.5	21	17	18	38	13	42
RE3225B	M32x1.5	M25x1.5	21	17	18	38	19	42
RE4025B	M40x1.5	M25x1.5	24	20	18	46	19	50
RE4032B	M40x1.5	M32x1.5	24	20	18	46	25	50
RE5032B	M50x1.5	M32x1.5	24	20	18	56	25	60
RE5040B	M50x1.5	M40x1.5	24	20	18	56	32	60
RE6340B	M63x1.5	M40x1.5	25	20	18	70	32	75
RE6350B	M63x1.5	M50x1.5	25	20	18	70	42	75

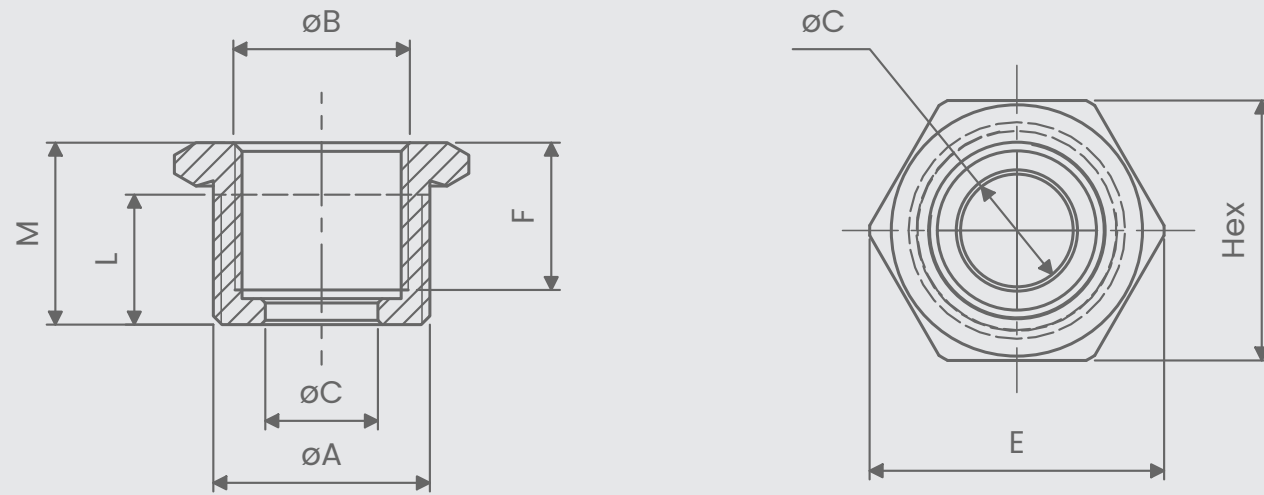
# REDUCER MALE / FEMALE

## NPT - ISO



Code	Ø A	Ø B	M	F	L	Hex	øC	E
REIN16MB	1/2"	M20x1.5	22	18	17	22	10	24
RE2N20MB	3/4"	M20x1.5	23	19	17	28	13	31
RE3N20MB	1"	M20x1.5	28	21	22	35	13	38
RE3N25MB	1"	M25x1.5	28	21	22	35	19	38
RE4N25MB	1.1/4"	M25x1.5	29	22	23	44	19	48
RE4N32MB	1.1/4"	M32x1.5	29	22	23	44	25	48
RE5N32MB	1.1/2"	M32x1.5	29	22	23	50	25	54
RE5N40MB	1.1/2"	M40x1.5	29	22	23	50	32	54
RE6N40MB	2"	M40x1.5	30	22	23	62	32	67
RE6N50MB	2"	M50x1.5	30	22	23	62	42	67

ISO - NPT



Code	Ø A	Ø B	M	F	L	Hex	øC	E
RE20M38NB	M20x1.5	3/8"	20	16	15	26	10	28
RE25M1NB	M25x1.5	1/2"	20	17	15	30	13	34
RE32M1NB	M32x1.5	1/2"	22	17	15	38	13	42
RE32M2NB	M32x1.5	3/4"	22	17	15	38	19	42
RE40M2NB	M40x1.5	3/4"	24	19	18	46	19	50
RE40M3NB	M40x1.5	1"	27	24	18	46	25	50
RE50M3NB	M50x1.5	1"	27	24	18	56	25	60
RE50M4NB	M50x1.5	1.1/4"	27	24	18	56	32	60
RE63M4NB	M63x1.5	1.1/4"	27	24	18	70	32	75
RE63M5NB	M63x1.5	1.1/2"	27	24	18	70	38	75