

REDUCER FEMALE / MALE

REB Series

Explosion proof reducer from female to male thread.

Features

Material used: nickel plated brass CW614N

Operating temperature: -40°C up to 100°C with EPDM sealing rings

NPT thread: from 3/8" up to 2"

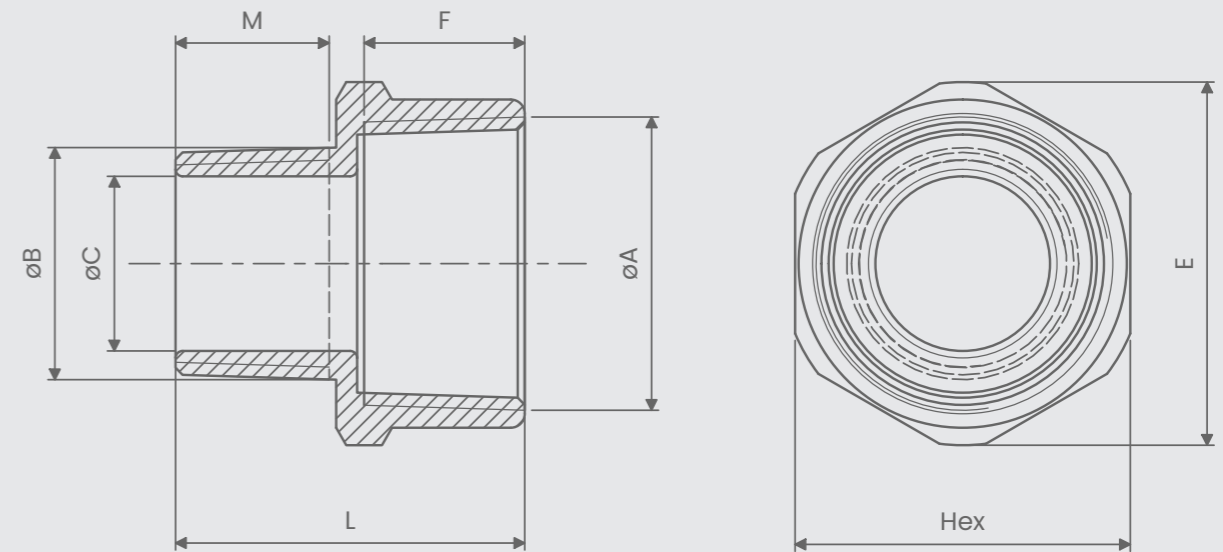
ISO 262 thread: from M16x1.5 up to M63x1.5

Degree of protection: IP66



REDUCER FEMALE / MALE

NPT - NPT



ATEX & IECEx Equipment Data

Gas	Group II Zone 1	Ex d I Mb Ex d IIC Gb Ex e IIC Gb
Dust	Group II Zone 21	Ex tb IIIC Db IP66

ATEX Certificate

INERIS 14 ATEX 0029X

IECEx Certificate

IECEx INE 14.0038X

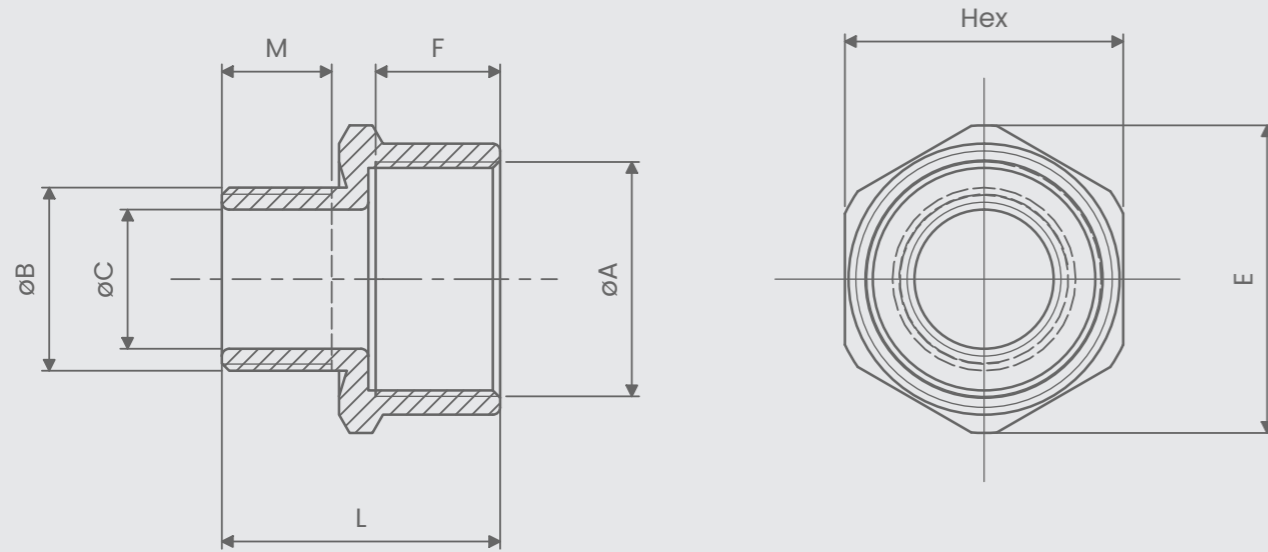
Options available

- Stainless steel AISI 316L construction
- Aluminium construction (available on demand)
- Galvanized steel construction (available on demand)
- Red silicon sealings rings with operating temperature range from -60°C up to 180°C

Code	ØA	ØB	M	F	L	ØC	Hex	E
REB138B	1/2"	3/8"	15	16	38	10	24	27
REB21B	3/4"	1/2"	17	16	40	13	30	34
REB31B	1"	1/2"	17	21	45	13	38	42
REB32B	1"	3/4"	17	19	45	19	38	42
REB43B	1.1/4"	1"	23	24	50	25	48	52
REB54B	1.1/2"	1.1/4"	23	24	50	32	52	58
REB65B	2"	1.1/2"	23	24	50	38	64	70

REDUCER FEMALE / MALE

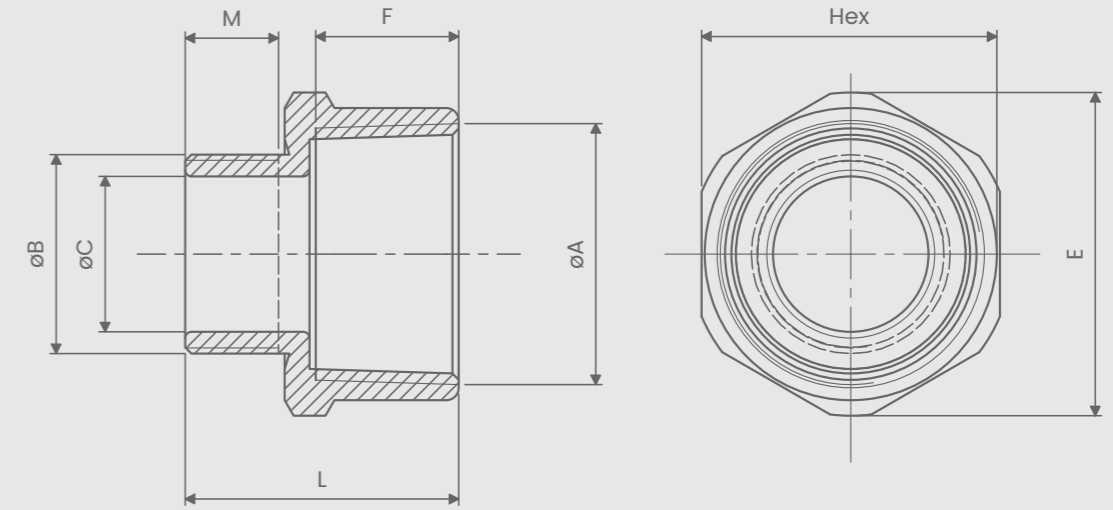
ISO - ISO



Code	$\varnothing A$	$\varnothing B$	M	F	L	Hex	$\varnothing C$	E
REB2016B	M20x1.5	M16x1.5	15	17	38	27	10	30
REB2520B	M25x1.5	M20x1.5	15	17	38	30	13	33
REB3220B	M32x1.5	M20x1.5	15	17	38	38	13	42
REB3225B	M32x1.5	M25x1.5	15	17	38	38	19	42
REB4032B	M40x1.5	M32x1.5	15	19	40	46	25	50
REB5040B	M50x1.5	M40x1.5	17	19	42	56	32	60
REB6350B	M63x1.5	M50x1.5	17	19	42	70	42	75

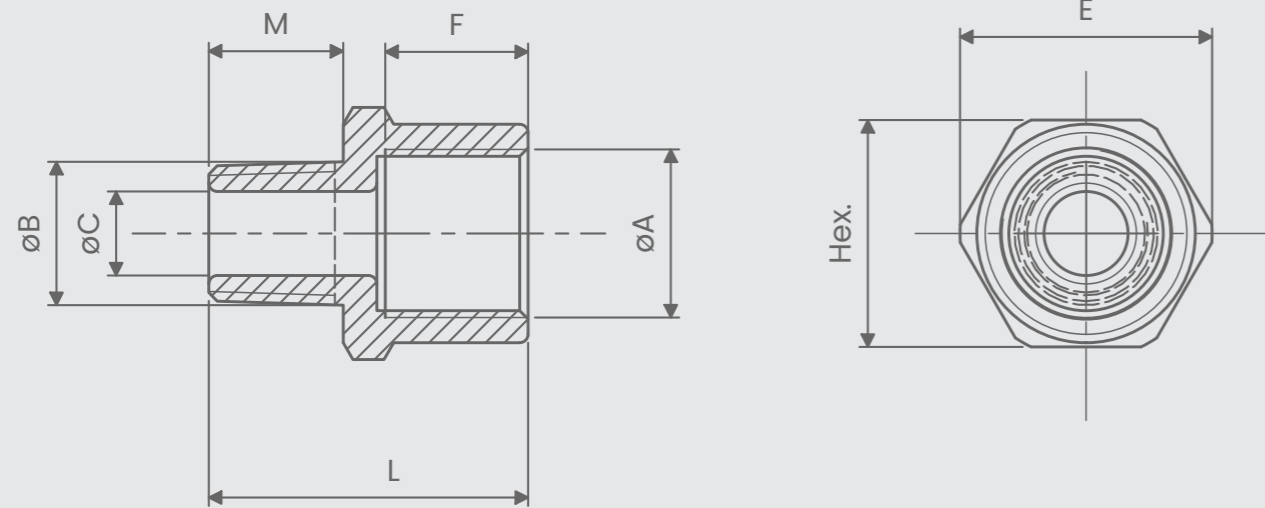
REDUCER FEMALE / MALE

NPT - ISO



Code	$\varnothing A$	$\varnothing B$	M	F	L	Hex	$\varnothing C$	E
REB38N16MB	3/8"	M16x1.5	15	16	37	24	10	27
REB1N20MB	1/2"	M20x1.5	15	18	39	27	13	30
REB2N20MB	3/4"	M20x1.5	15	18	39	30	13	33
REB3N20MB	1"	M20x1.5	15	23	44	38	13	42
REB2N25MB	3/4"	M25x1.5	15	23	39	30	19	33
REB3N25MB	1"	M25x1.5	15	23	44	38	19	42
REB3N32MB	1"	M32x1.5	15	23	44	38	25	42
REB4N32MB	1.1/4"	M32x1.5	16	24	44	48	25	52
REB4N40MB	1.1/4"	M40x1.5	18	24	46	48	32	52
REB5N40MB	1.1/2"	M40x1.5	18	24	46	56	32	61
REB5N50MB	1.1/2"	M50x1.5	18	24	46	56	38	61
REB6N50MB	2"	M50x1.5	18	24	46	70	38	76
REB6N63MB	2"	M63x1.5	18	24	46	70	50	76

ISO - NPT



Code	Ø A	Ø B	M	F	L	Hex	ØC	E
REB16M38NB	M16x1.5	3/8"	15	17	38	22	10	24
REB20M1NB	M20x1.5	1/2"	17	17	40	27	13	30
REB25M1NB	M25x1.5	1/2"	17	17	40	30	13	34
REB25M2NB	M25x1.5	3/4"	17	17	40	30	19	34
REB32M1NB	M32x1.5	1/2"	17	17	40	38	13	42
REB32M2NB	M32x1.5	3/4"	17	17	40	38	19	42
REB32M3NB	M32x1.5	1"	23	17	45	38	25	42
REB40M3NB	M40x1.5	1"	23	20	47	45	25	50
REB40M4NB	M40x1.5	1.1/4"	23	20	47	45	32	50
REB50M4NB	M50x1.5	1.1/4"	23	20	47	56	32	60
REB50M5NB	M50x1.5	1.1/2"	23	20	47	56	38	60
REB63M5NB	M63x1.5	1.1/2"	23	20	47	70	38	75
REB63M6NB	M63x1.5	2"	23	20	47	70	50	75