

# STOPPING PLUG

## PLG Series

Stopping plug with hexagon cavity on the head. Used for closing unused entries.

### Features

**Material used:** nickel plated brass CW614N

**Operating temperature:** -40°C up to 100°C with EPDM sealing rings

**NPT thread:** from 3/8" up to 3"

**ISO 262 thread:** from M16x1.5 up to M90x1.5

**Degree of protection:** IP66



### ATEX & IECEx Equipment Data

<b>Gas</b>	Group II Zone 1	Ex d I Mb Ex d IIC Gb Ex e IIC Gb
<b>Dust</b>	Group II Zone 21	Ex tb IIIC Db IP66

### ATEX Certificate

INERIS 14 ATEX 0029X

### IECEx Certificate

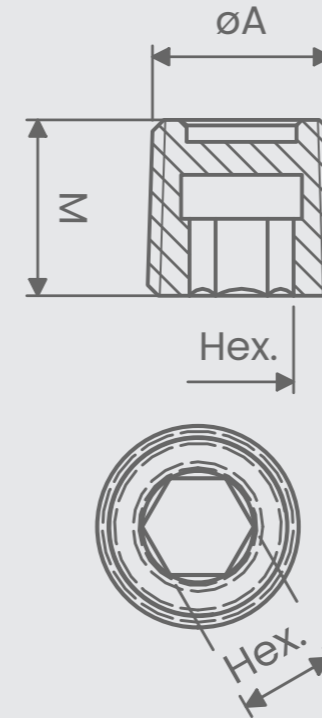
IECEx INE 14.0038X

### Options available

- Stainless steel AISI 316L construction
- Aluminium construction (available on demand)
- Galvanized steel construction (available on demand)
- Red silicon sealings rings with operating temperature range from -60°C up to 180°C

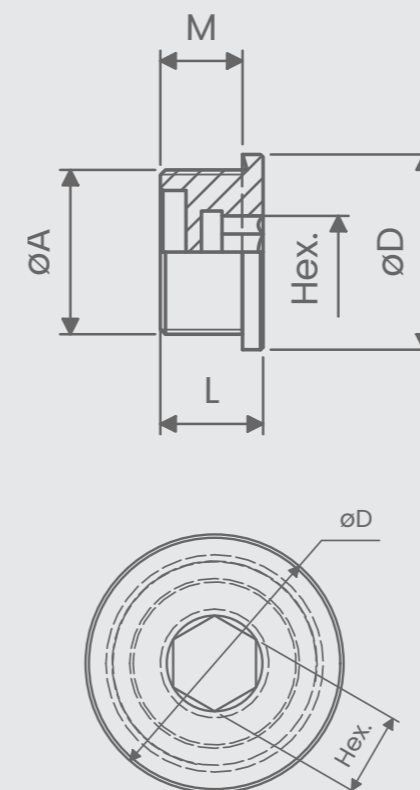
# STOPPING PLUG

## NPT



Code	øA [NPT]	M	Hex
PLG38B	3/8"	16	8
PLG1B	1/2"	18	10
PLG2B	3/4"	18	10
PLG3B	1"	22	12
PLG4B	1.1/4"	22	12
PLG5B	1.1/2"	22	12
PLG6B	2"	22	12
PLG7B	2.1/2"	29	14
PLG8B	3"	29	14

## ISO



Code	øA [NPT]	M	øD	Hex.	L
PLG16B	M16x1.5	16	22	10	20
PLG20B	M20x1.5	16	26	10	20
PLG25B	M25x1.5	16	31	10	20
PLG32B	M32x1.5	16	38	12	20
PLG40B	M40x1.5	18	50	12	23
PLG50B	M50x1.5	18	60	12	23
PLG63B	M63x1.5	18	73	12	23
PLG75B	M75x1.5	20	85	14	26
PLG80B	M80x1.5	20	90	14	26
PLG85B	M85x1.5	20	95	14	26
PLG90B	M90x1.5	20	100	14	26