

STOPPING PLUG

PLD Series

Stopping plug with hexagon cavity on the head. Used for closing unused entries on box series RI/ROI.

Features

Material used: nickel plated brass CW614N

Operating temperature: -40°C up to 100°C with EPDM sealing rings

NPT thread: from 1/2" up to 2"

ISO 262 thread: from M20x1.5 up to M63x1.5

Degree of protection: IP66



ATEX & IECEx Equipment Data

Gas	Group II Zone 1	Ex d I Mb Ex d IIC Gb Ex e IIC Gb
Dust	Group II Zone 21	Ex tb IIIC Db IP66

ATEX Certificate

INERIS 14 ATEX 0029X

IECEx Certificate

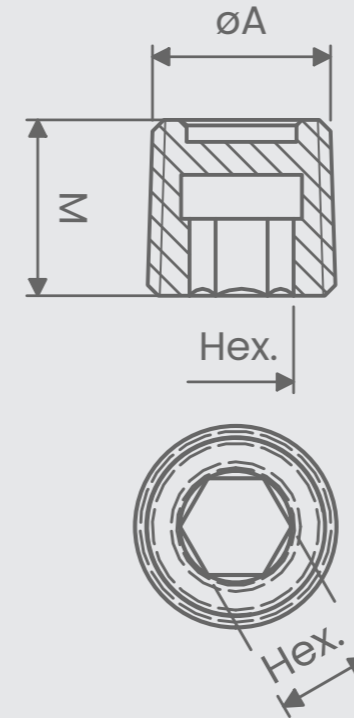
IECEx INE 14.0038X

Options available

- Stainless steel AISI 316L construction
- Aluminium construction (available on demand)
- Galvanized steel construction (available on demand)
- Red silicon sealings rings with operating temperature range from -60°C up to 180°C

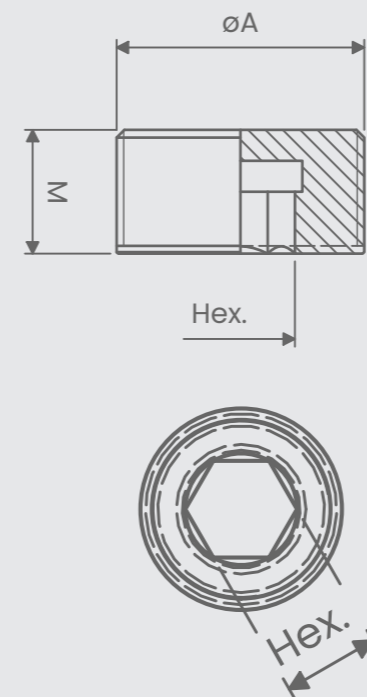
STOPPING PLUG

NPT



Code	$\varnothing A$ [NPT]	M	Hex
PLD1B	1/2"	15	10
PLD2B	3/4"	15	10
PLD3B	1"	17	12
PLD5B	1.1/2"	18	12
PLD6B	2"	20	12

ISO



Code	$\varnothing A$ [NPT]	M	Hex
PLD20B	M20x1.5	14	10
PLD25B	M25x1.5	14	10
PLG32B	M32x1.5	16	12
PLG50B	M50x1.5	16	12
PLG63B	M63x1.5	16	12