

## ELF Series

The Bends angle 90° Series ELF are used in the electrical installation in tube.

### Features

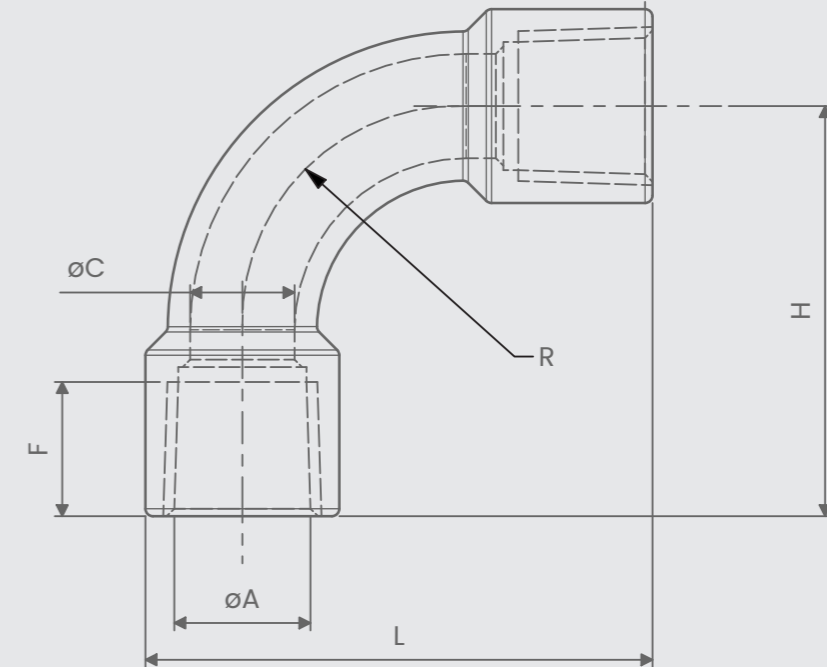
**Material used:** stainless steel AISI 316L

**Operating temperature:** -60°C up to 180°C

**NPT thread:** from 3/8" up to 3"

**ISO 262 thread:** from M16x1.5 up to M90x1.5

**Degree of protection:** IP66



### ATEX & IECEx Equipment Data

<b>Gas</b>	Group II Zone 1	Ex d I Mb Ex d IIC Gb Ex e IIC Gb
<b>Dust</b>	Group II Zone 21	Ex tb IIIC Db IP66

### ATEX Certificate

INERIS 14 ATEX 0029X

### IECEx Certificate

IECEx INE 14.0038X

### Options available

- Aluminium construction (available on demand)
- Galvanized steel construction (available on demand)

Code	ØA	F	L	ØC	R	H
ELF1S	1/2" NPT	19	68	13	33	55
ELF2S	3/4" NPT	19	71	19	33	55
ELF3S	1" NPT	24	85	25	37	65
ELF4S	1.1/4" NPT	24	98	32	47	75
ELF5S	1.1/2" NPT	24	111	38	57	85
ELF6S	2" NPT	24	133	50	72	100
ELF7S	2.1/2" NPT	32	175	60	95	135
ELF8S	3" NPT	32	210	75	120	160
ELF20S	M20x1.5	19	68	13	33	55
ELF25S	M25x1.5	19	71	19	33	55
ELF32S	M32x1.5	24	85	25	37	65
ELF40S	M40x1.5	24	99	32	47	75
ELF50S	M50x1.5	24	111	42	55	85
ELF63S	M63x1.5	24	136	55	70	100
ELF75S	M75x1.5	24	117,5	65	105	135
ELF90S	M90x1.5	24	210	80	130	160