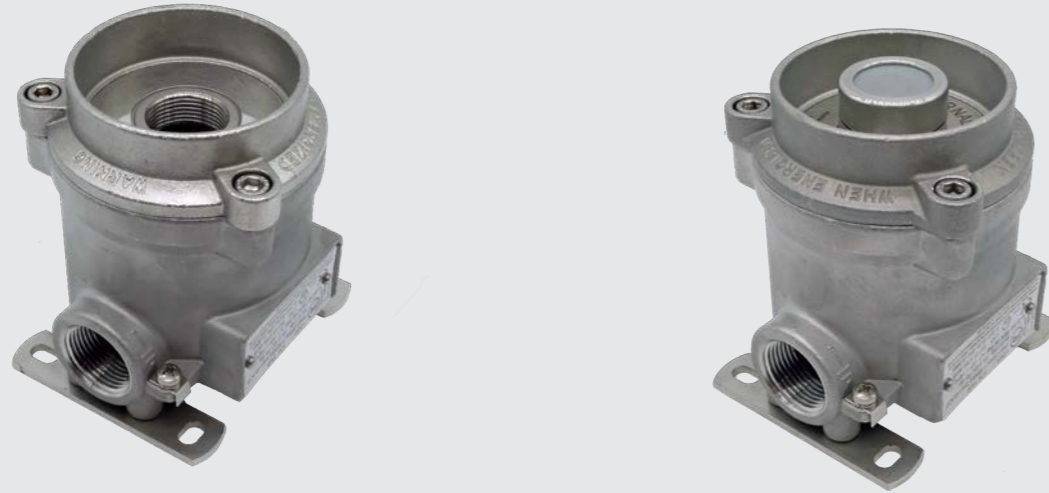


LCS 21 / 251

Pushbutton and control station with one unit.
The equipment can install different type of units like pushbutton or signalling units



Features

Material used: Stainless steel AISI 316L

Max Amb. Temperature: from -50°C up to 80°C

NPT thread: 3/4" NPT

ISO 262 thread: M25x1.5

Degree of protection: IP66

External painting: no painting

Max rated voltage: 230Vac

AC1 max current value: 10A

Cable section: 1,5 ÷ 2,5 mmq

Nominal frequency: 50/60Hz

ATEX & IECEx Equipment Data

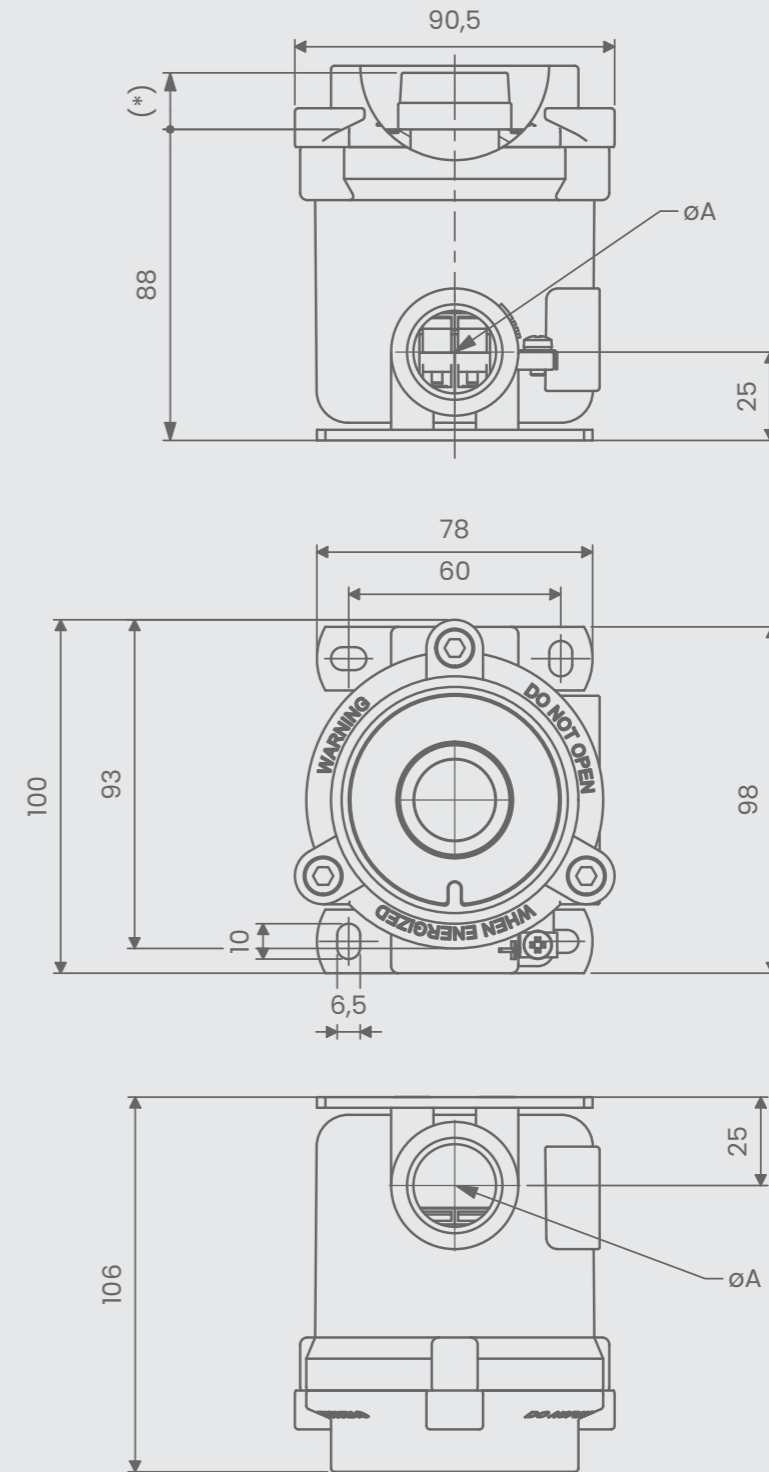
Gas	Group I Zone 1	Ex d I Mb, Ex d IIC T6 Gb
Dust	Group II Zone 21	Ex tb IIIC T 85°C Db IP66 Tamb: -20°C ÷ +40°C

ATEX Certificate

BVI 15 ATEX 0073

IECEx Certificate

IECEx EPS 15.0069



Code	ØA
LCS251	M25x1.5 - 6H
LCS21	3/4" NPT

(*) Length of unit may vary