



RIBCO

EXPLOSION PROOF
EQUIPMENT

DATASHEET 2021

Certified by



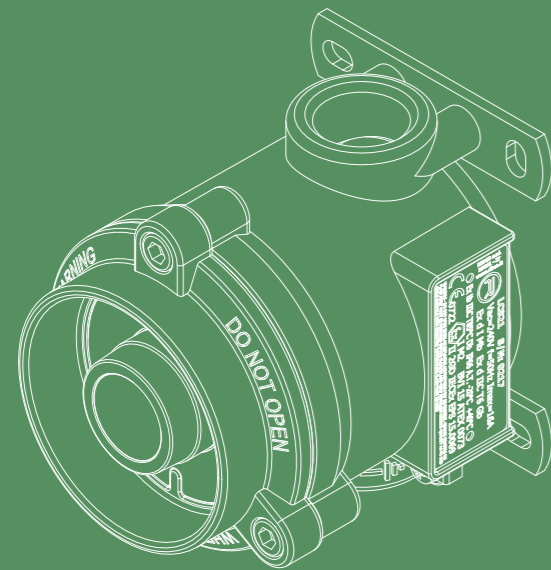
Pushbutton and control station series LCS are available in three different sizes depending on the number of units they can contain.

Suitable for classified hazardous area Zone 1 & Zone 2 & mines.

Standard material is Stainless Steel AISI 316L without any external coating. They have excellent mechanical and corrosion resistance.

Certified also for mines group I M2.

All products are certified:





LCS1

pag. 6



LCS3

pag. 8

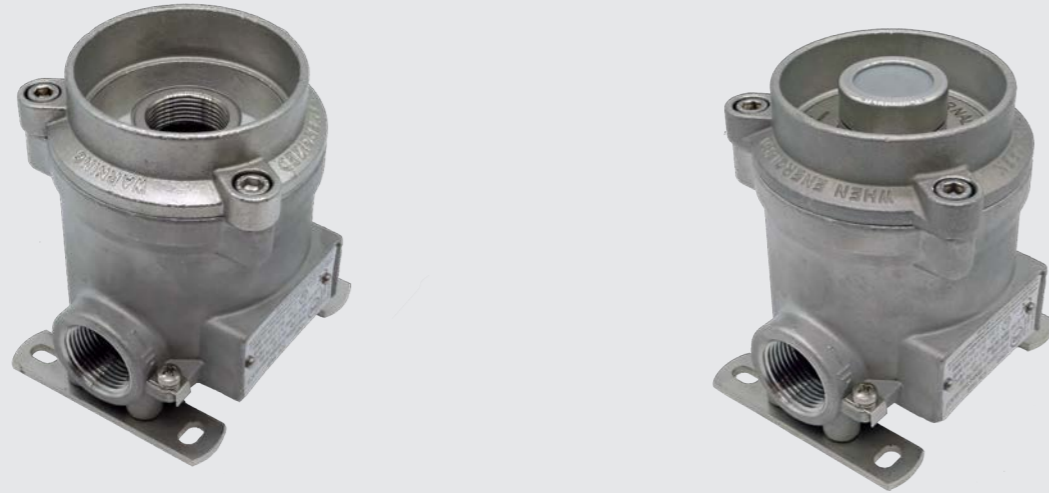


LCS3A

pag. 10

LCS 21 / 251

Pushbutton and control station with one unit.
The equipment can install different type of units like pushbutton or signalling units



Features

Material used: Stainless steel AISI 316L

Max Amb. Temperature: from -50°C up to 80°C

NPT thread: 3/4" NPT

ISO 262 thread: M25x1.5

Degree of protection: IP66

External painting: no painting

Max rated voltage: 230Vac

AC1 max current value: 10A

Cable section: 1,5 ÷ 2,5 mmq

Nominal frequency: 50/60Hz

ATEX & IECEx Equipment Data

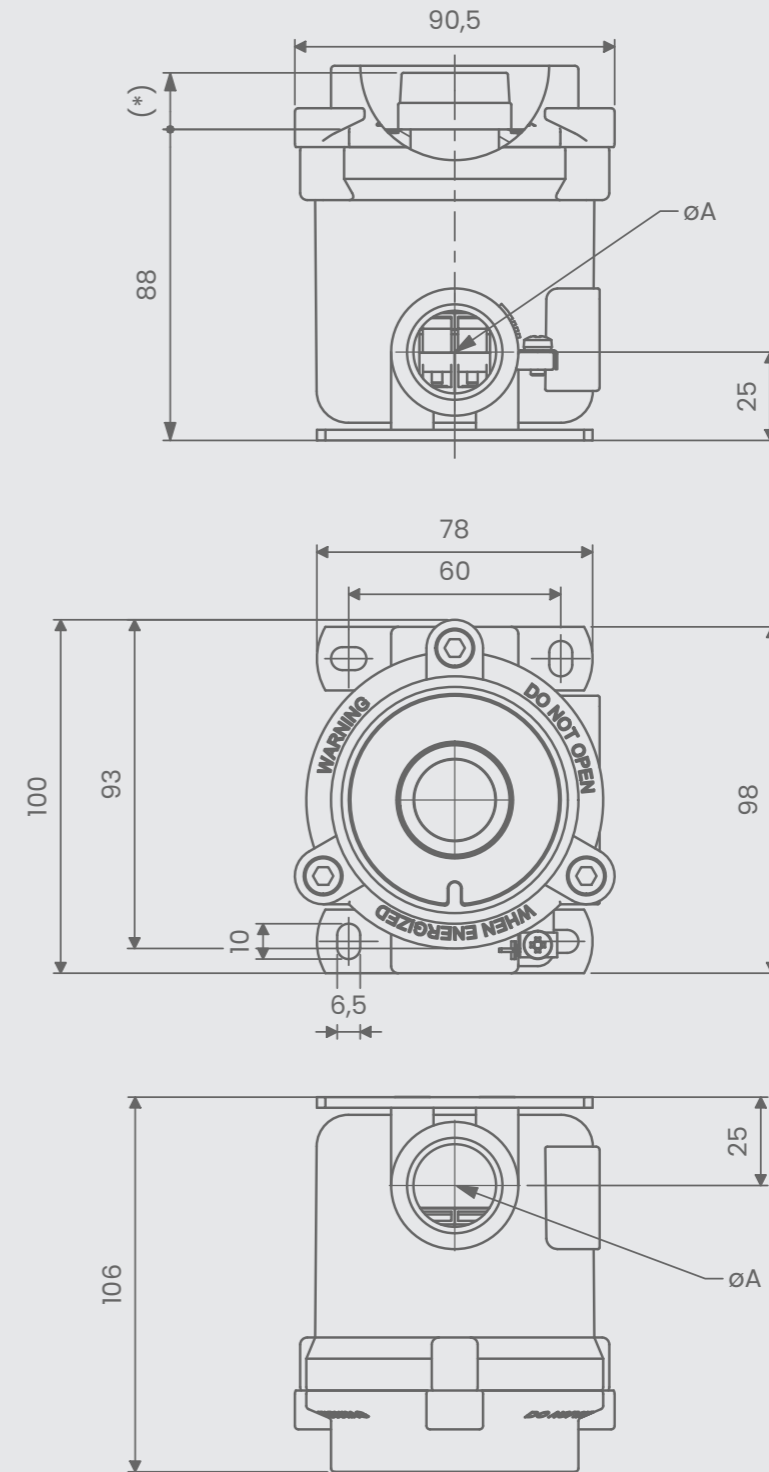
Gas	Group I Zone 1	Ex d I Mb, Ex d IIC T6 Gb
Dust	Group II Zone 21	Ex tb IIIC T 85°C Db IP66 Tamb: -20°C ÷ +40°C

ATEX Certificate

BVI 15 ATEX 0073

IECEx Certificate

IECEx EPS 15.0069

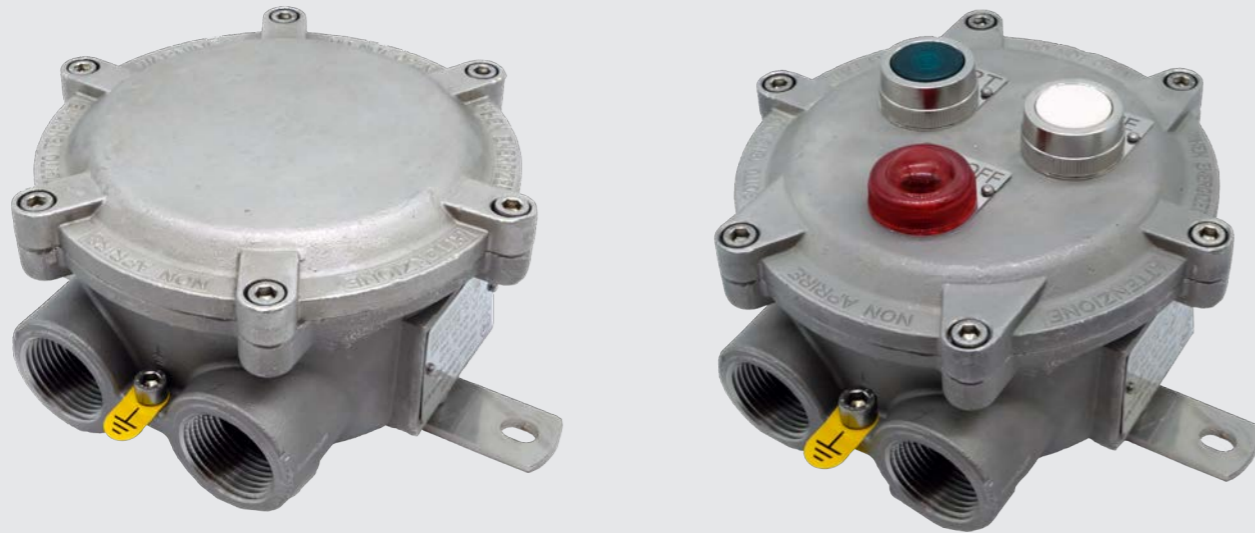


Code	ØA
LCS251	M25x1.5 - 6H
LCS21	3/4" NPT

(*) Length of unit may vary

LCS 23 / 33 / 253 / 323

Pushbutton and control station up to four command or signal unit.
The equipment can install different type of units like pushbutton or signalling units



Features

Material used: Stainless steel AISI 316L

Max Amb. Temperature: from -50°C up to 80°C

NPT thread: 3/4" or 1"

ISO 262 thread: M25x1.5 or M32x1.5

Degree of protection: IP66

External painting: no painting

Max rated voltage: 690Vac (only for ROTARY SWITCH)

Max rated voltage: 230Vac

AC1 max current value: 20A (only for ROTARY SWITCH)

AC1 max current value: 10A

Cable section: 1,5 ÷ 2,5 mmq

Nominal frequency: 50/60Hz

ATEX & IECEx Equipment Data

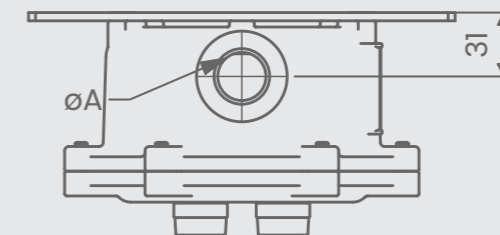
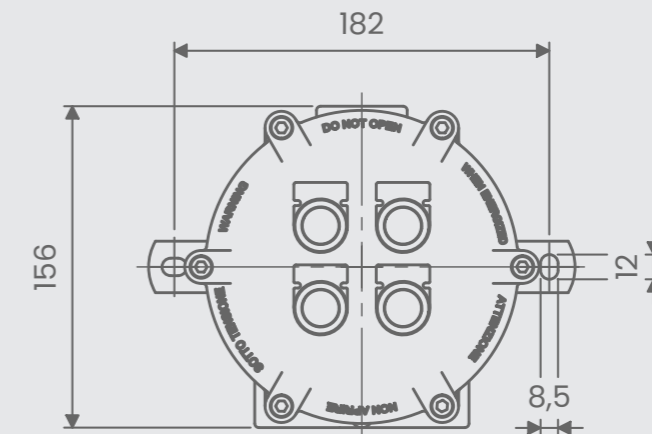
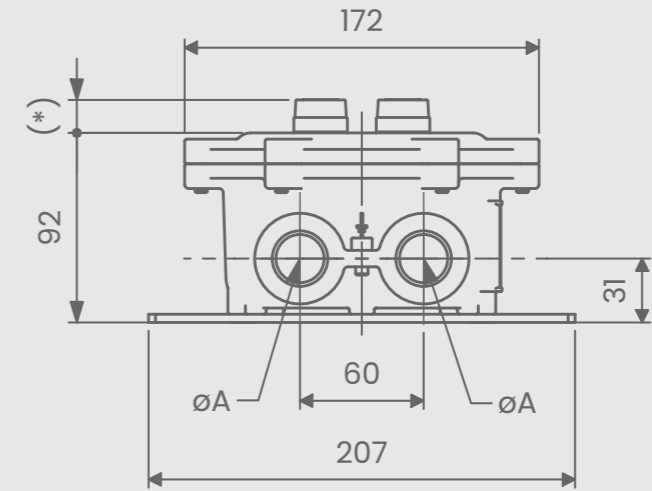
Gas	Group I Zone 1	Ex d I Mb, Ex d IIC T6 Gb
Dust	Group II Zone 21	Ex tb IIIC T 85°C Db IP66 Tamb: -20°C ÷ +40°C

ATEX Certificate

BVI 15 ATEX 0073

IECEx Certificate

IECEx EPS 15.0069



(*) Length of unit may vary

Code	ØA
LCS23	3/4" NPT
LCS33	1" NPT
LCS253	M25x1.5 - 6H
LCS323	M32x1.5 - 6H

LCS 23A / 33A / 253A / 323A

Pushbutton and control station up to two command or signal unit.
The equipment can install different type of units like pushbutton or signalling units



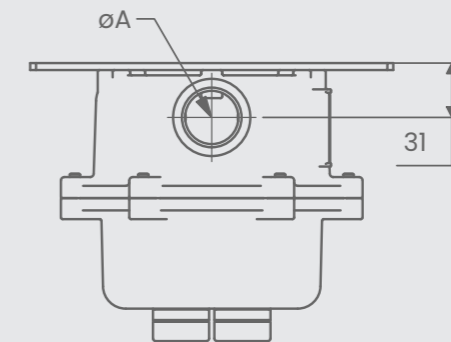
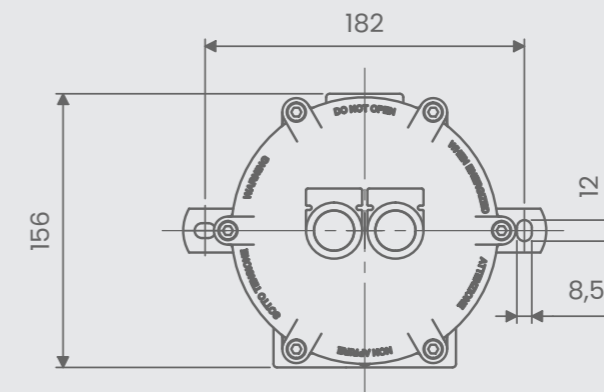
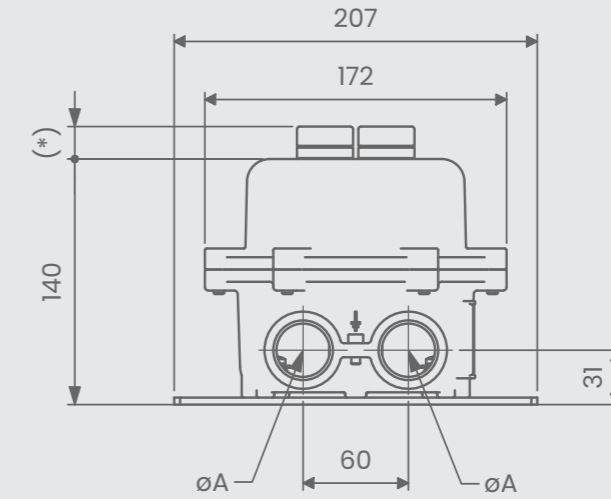
Features

- Material used:** Stainless steel AISI 316L
- Max rated voltage:** 690Vac (only for ROTARY SWITCH)
- Max Amb. Temperature:** from -50°C up to 80°C
- Max rated voltage:** 230Vac
- NPT thread:** 3/4" or 1"
- AC1 max current value:** 20A (only for ROTARY SWITCH)
- ISO 262 thread:** M25x1.5 or M32x1.5
- AC1 max current value:** 10A
- Degree of protection:** IP66
- Cable section:** 1,5 ÷ 2,5 mmq
- External painting:** no painting
- Nominal frequency:** 50/60Hz

ATEX & IECEx Equipment Data

Gas	Group I Zone 1	Ex d I Mb, Ex d IIC T6 Gb
Dust	Group II Zone 21	Ex tb IIIC T 85°C Db IP66 Tamb: -20°C ÷ +40°C

ATEX Certificate	IECEx Certificate
BVI 15 ATEX 0073	IECEx EPS 15.0069

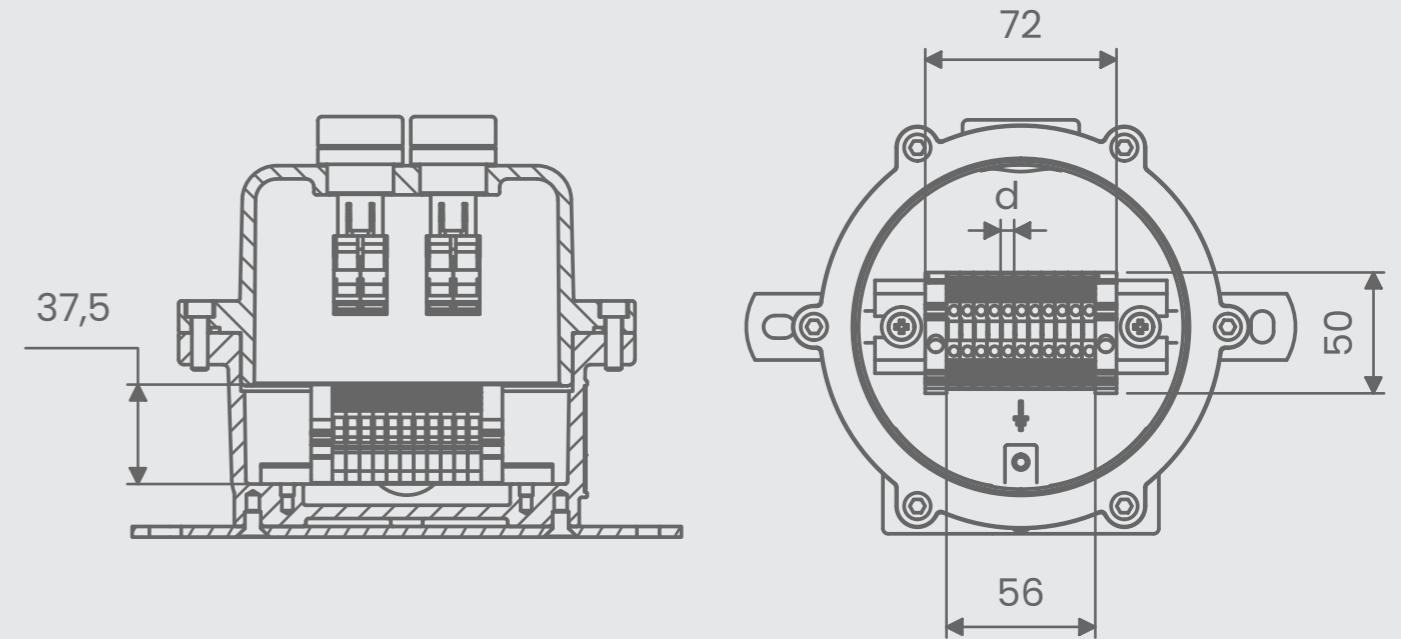
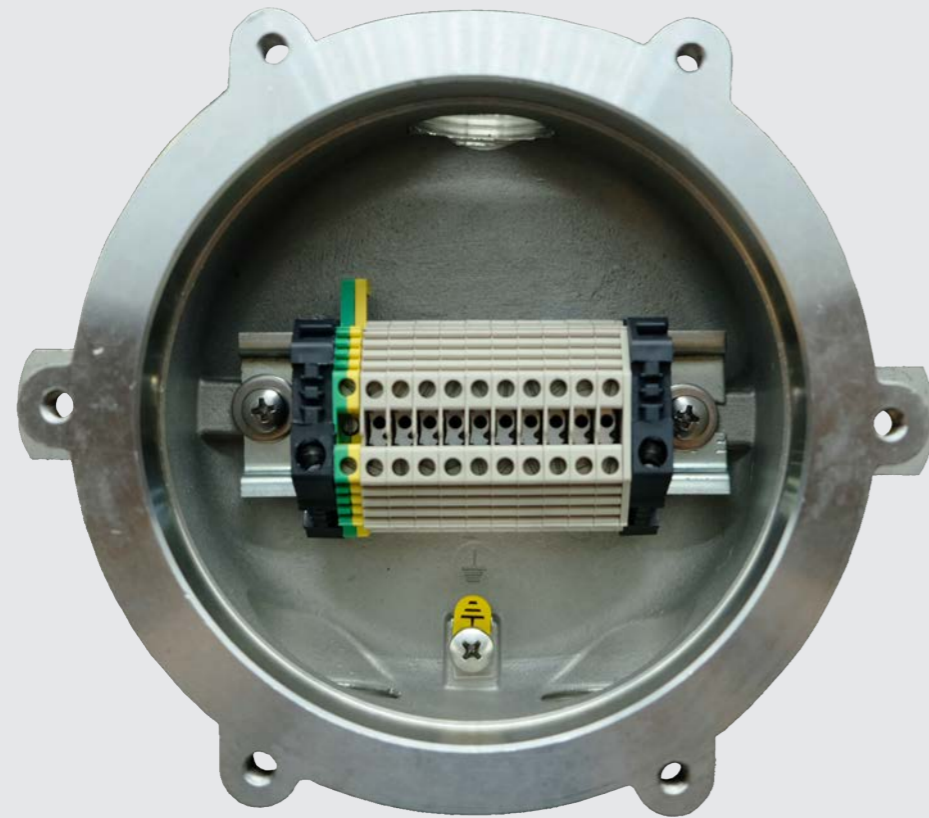


(*) Length of unit may vary

Code	ØA
LCS23A	3/4" NPT
LCS33A	1" NPT
LCS253A	M25x1.5 - 6H
LCS323A	M32x1.5 - 6H

LCS 23A / 33A / 253A / 323A

- Possibility to include also Terminal strips
- Terminal strip compact version WDU brand Weidmuller or equivalent



TERMINAL BLOCK suitable for LCS size 3A

Code	Description	Cross section	Vmax	I _{max}	d	Max q.ty
WDU2.5N	Feed-through terminal block 2,5 mmq	1,5 ÷ 2,5	230V	10A	5,1	11
WDU4N	Feed-through terminal block 4 mmq	1,5 ÷ 4	230V	10A	6,1	9
WPE2.5N	Modular PE terminal block 2,5 mmq	1,5 ÷ 2,5	230V	NA	5,1	11
WPE4N	Modular PE terminal block 4 mmq	1,5 ÷ 4	230V	NA	6,1	9