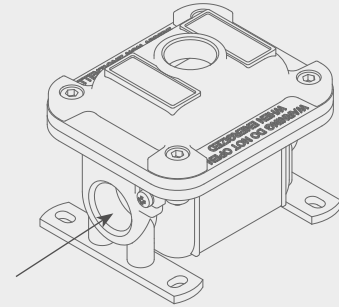


PBA – REQUEST FOR QUOTATION

Customer	Qty	Delivery
Configuration code	OLI n°	

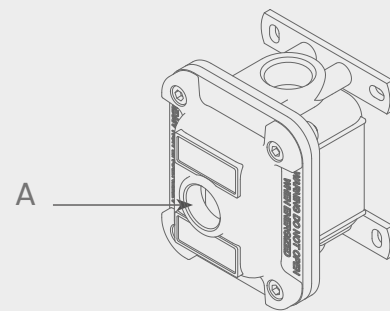
CABLE ENTRIES

- 3/4" NPT
- ISO METRIC M25 x 1.5



PUSHBUTTON

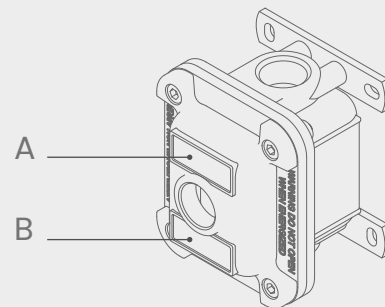
A. _____



LABEL

A. _____

B. _____



MARKING OPTIONS

Ambient temperature - _____ °C ÷ + _____ °C

T4

T5

T6

T135° C

T100° C

T85° C

