

PBA 34 / 324

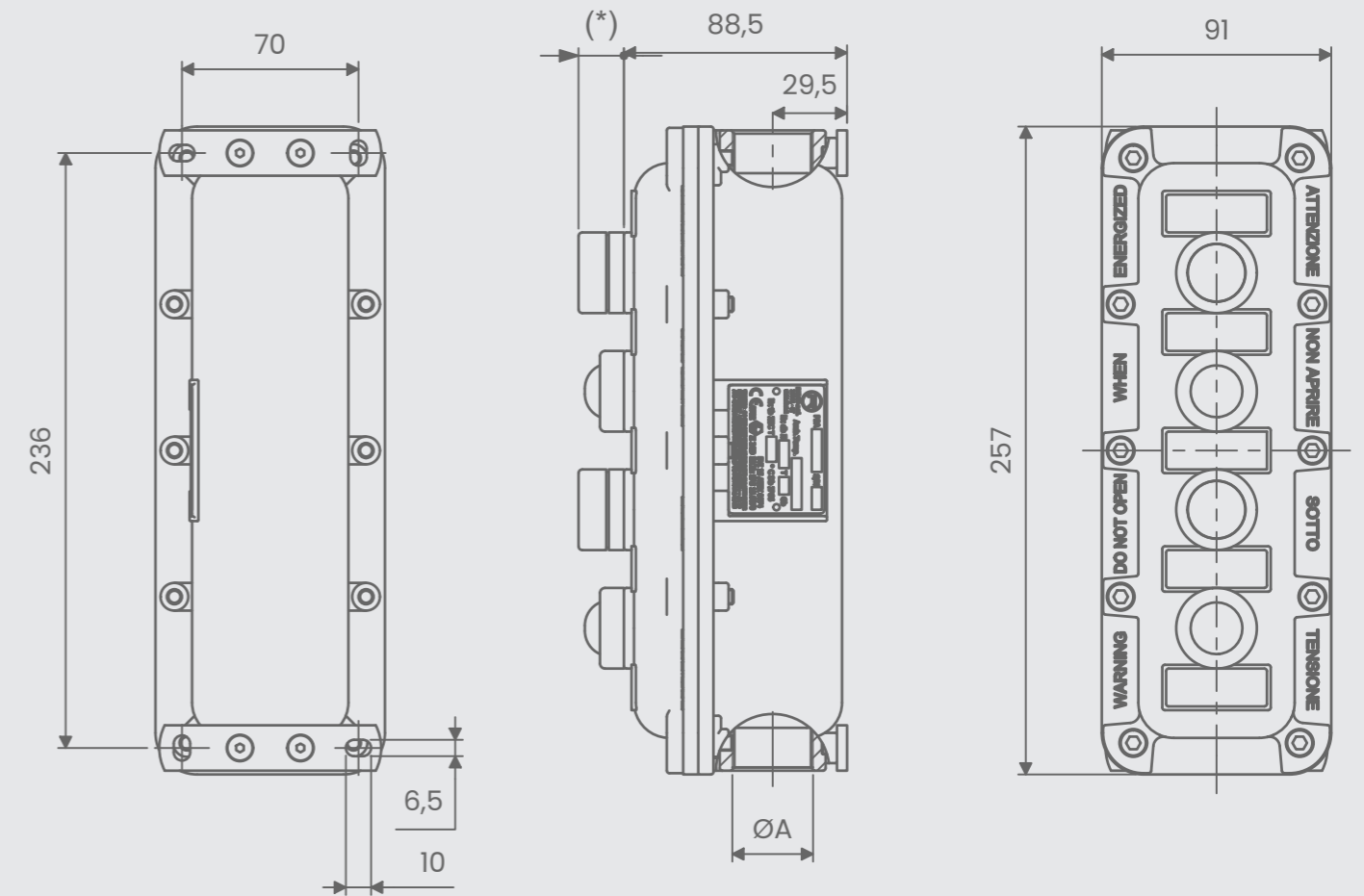
Pushbutton and control station with four units.
The equipment can install different type of units like pushbutton or signalling units.



Features

- Material used:** alluminium low copper grade
- Operating temperature:** -50°C up to 80°C
- NPT thread:** 1" NPT
- ISO 262 thread:** M32x1.5
- Degree of protection:** IP66
- Max rated voltage:** 690Vac/440Vdc

- AC1 max current value:** 10A
- AC15 max current value:** 4A
- Cable section:** 1,5 ÷ 2,5 mmq
- Nominal frequency:** 50/60Hz
- External painting:** grey RAL7000



Code	ØA
PBA324	M32x1.5 - 6H
PBA34	1" NPT

(*) Lenght of unit may vary

ATEX & IECEx Equipment Data

Gas	Group I Zone 1	II 2GD Ex db IIB+H2 T6...T4 Gb
Dust	Group II Zone 21	Ex tb IIIC T 85°C...T135°C Db IP66 Tamb: -50°C ÷ +80°C

ATEX Certificate	IECEx Certificate
BVI 15 ATEX 0074	IECEx EPS 15.0070