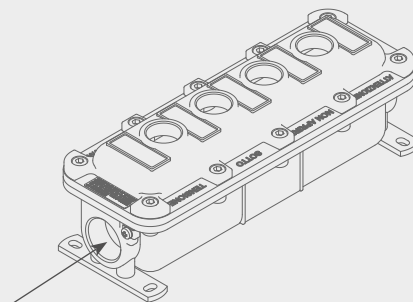


PBA – REQUEST FOR QUOTATION

| | | |
|--------------------|--------|----------|
| Customer | Qty | Delivery |
| Configuration code | OLI n° | |

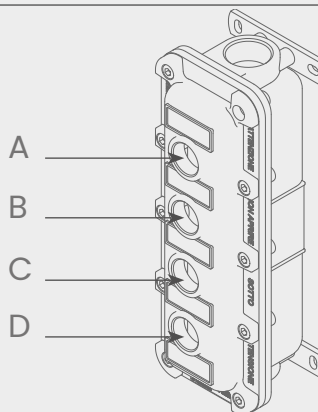
CABLE ENTRIES

- 1" NPT
- ISO METRIC M32 x 1.5



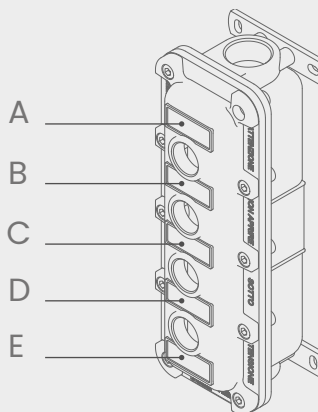
PUSHBUTTON

- A. _____
- B. _____
- C. _____
- D. _____



LABEL

- A. _____
- B. _____
- C. _____
- D. _____
- E. _____



MARKING OPTIONS

Ambient temperature - _____ °C ÷ + _____ °C

T4

T5

T6

T135° C

T100° C

T85° C

