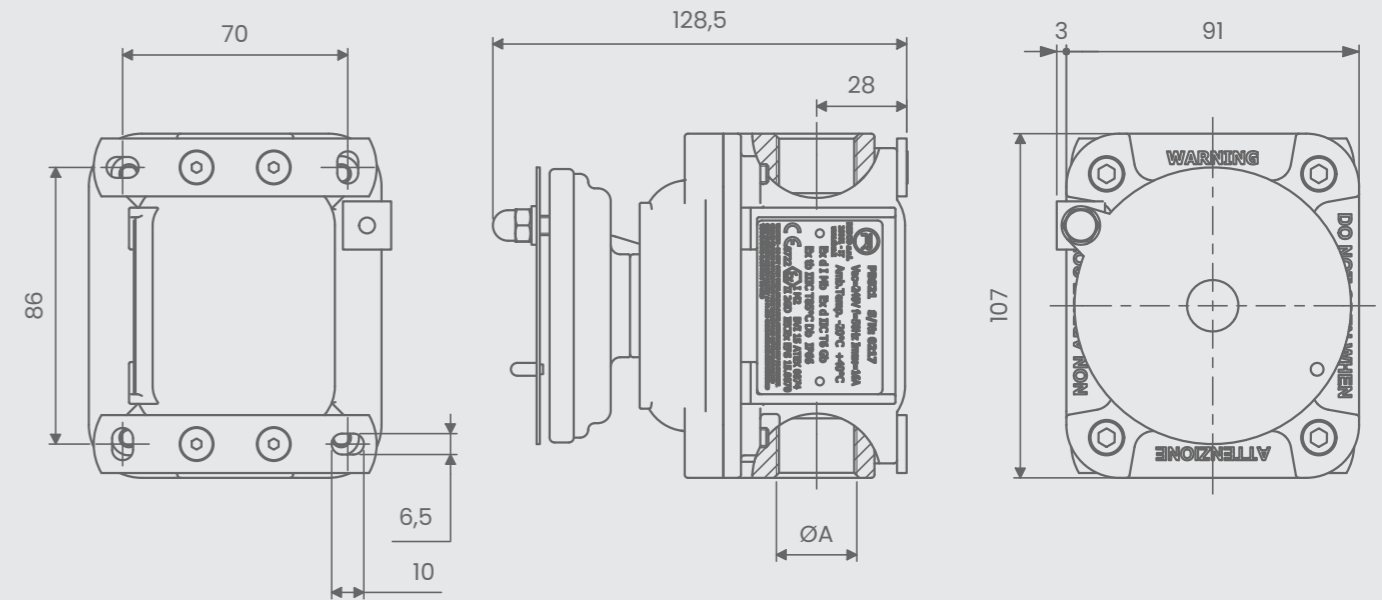
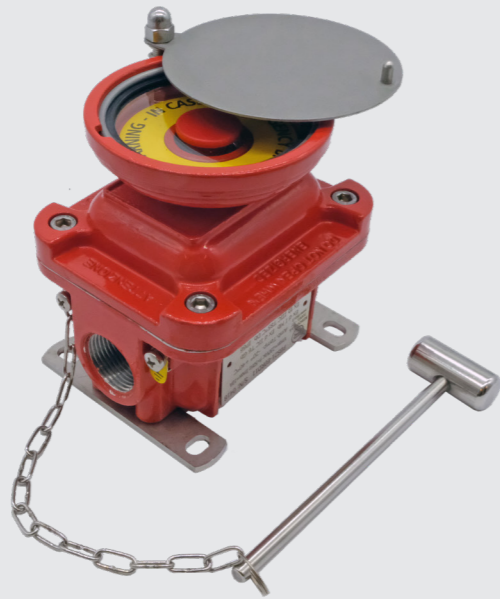


# EMERGENCY PUSHBUTTON WITH BREAKING GLASS

# EMERGENCY PUSHBUTTON WITH BREAKING GLASS

## PBA E0G

Emergency pushbutton station with breaking glass and steel protection guard.  
Automatic release of the pushbutton.



## Features

**Material used:** alluminium low copper grade

**Operating temperature:** -50°C up to 80°C

**NPT thread:** 3/4" NPT

**ISO 262 thread:** M25x1.5

**Degree of protection:** IP66

**Max rated voltage:** 690Vac/440Vdc

**AC1 max current value:** 10A

**AC15 max current value:** 4A

**Cable section:** 1,5 ÷ 2,5 mmq

**Nominal frequency:** 50/60Hz

**External painting:** red RAL3000

## ORDER CODING

Code	Button color	Electrical contacts
PBA251-E0G	BK ●	01 - 1 NC
	BU ●	10 - 1 NO
	YE ●	11 - 1 NC + 1 NO
	RD ●	02 - 2 NC
	GN ●	20 - 2 NO
	WH ○	12 - 1 NO + 2 NC
PBA21-E0G		03 - 3 NC
		30 - 3 NO
		21 - 2 NO + 1 NC

## ATEX & IECEx Equipment Data

<b>Gas</b>	Group I Zone 1	II 2GD Ex db IIB T6...T4 Gb
<b>Dust</b>	Group II Zone 21	Ex tb IIIC T 85°C...T135°C Db IP66 Tamb: -50°C ÷ +80°C

## ATEX Certificate

BVI 15 ATEX 0074

## IECEx Certificate

IECEx EPS 15.0070