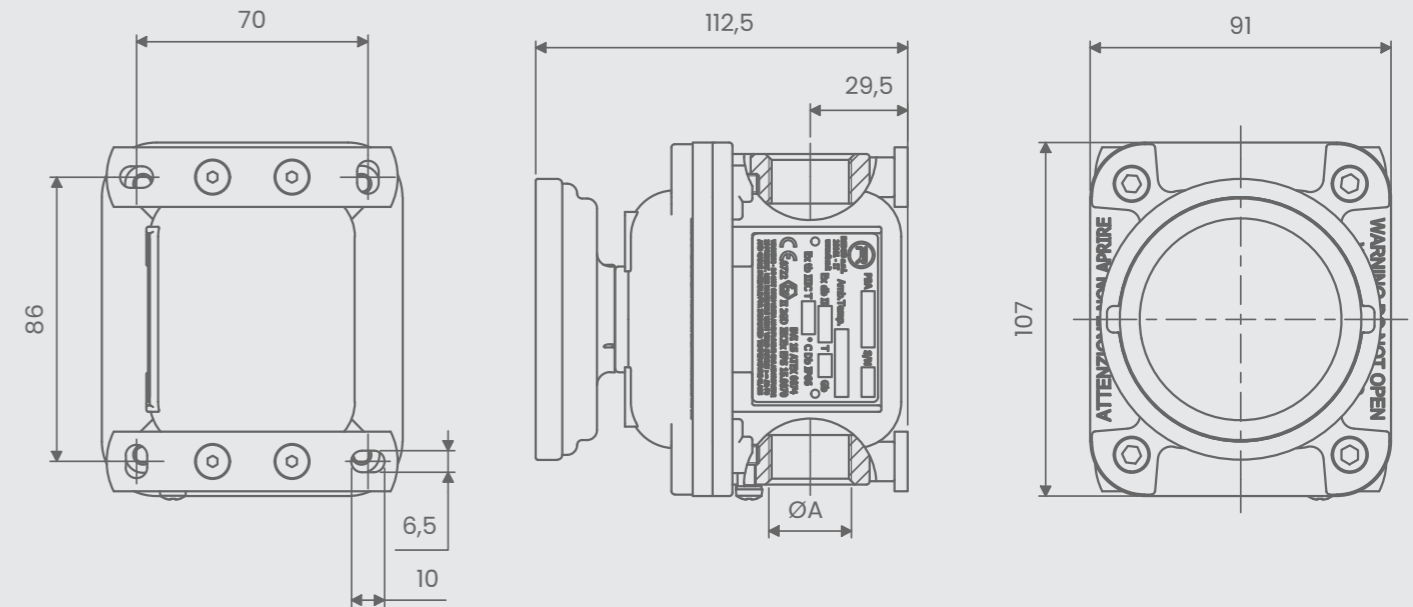


PBA E0L

Emergency lighting pushbutton station with breaking glass.
Automatic release of the pushbutton.



Features

Material used: alluminium low copper grade

Max ambient temperature: -50°C up to 80°C

NPT thread: 3/4" NPT

ISO 262 thread: M25x1.5

Degree of protection: IP66

Max rated voltage: 690Vac/440Vdc

AC1 max current value: 10A

AC15 max current value: 4A

Cable section: 1,5 ÷ 2,5 mmq

Nominal frequency: 50/60Hz

External painting: red RAL3000

ORDER CODING

Code	Button color	Electrical contacts	LED
PBA251-E0L	BK ● BU ● YE ●	01 - 1 NC 10 - 1 NO	A - 12-30V AC/DC
PBA21-E0L	RD ● GN ● WH ○	02 - 2 NC 20 - 2 NO 03 - 3 NC 30 - 3 NO	B - 100-230V AC

ATEX & IECEx Equipment Data

Gas	Group I Zone 1	Ex db IIC T6 Gb
Dust	Group II Zone 21	Ex tb IIIC T85°C Db IP66
Tamb: -20°C ÷ +40°C		

ATEX Certificate

BVI 15 ATEX 0074

IECEx Certificate

IECEx EPS 15.0070