

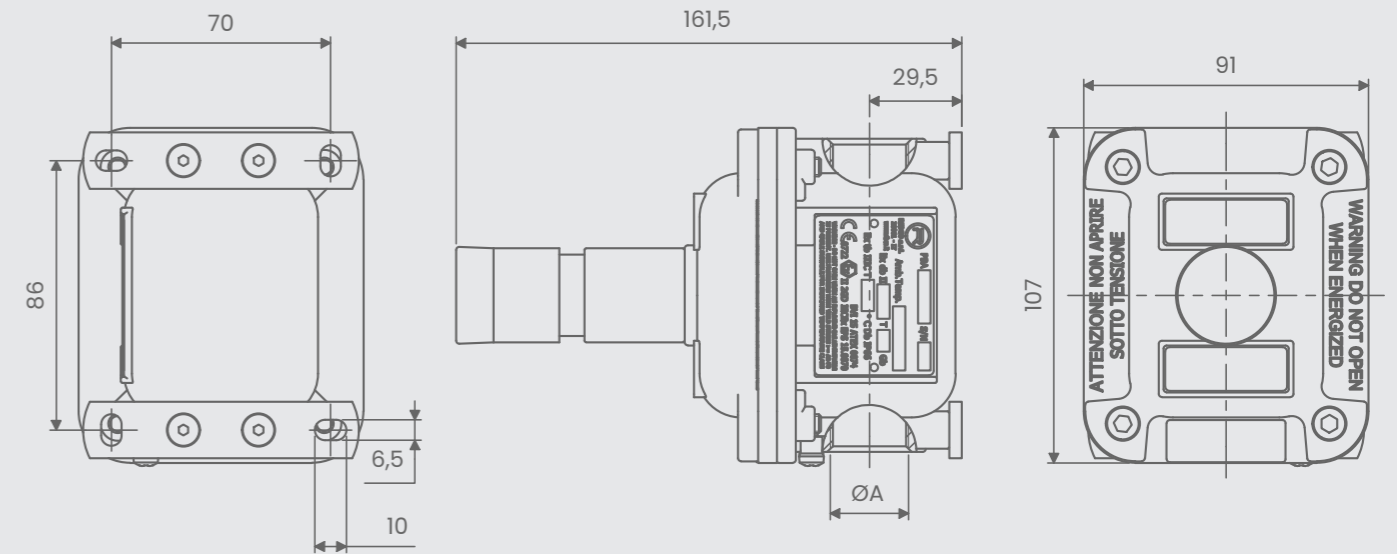
EMERGENCY PUSHBUTTON

PBA EFP

Pushbutton with emergency mushroom with pull release.



EMERGENCY PUSHBUTTON



Features

Material used: alluminium low copper grade

Max ambient temperature: -50°C up to 80°C

NPT thread: 3/4" NPT

ISO 262 thread: M25x1.5

Degree of protection: IP66

Max rated voltage: 690Vac/440Vdc

AC1 max current value: 10A

AC15 max current value: 4A

Cable section: 1,5 ÷ 2,5 mmq

Nominal frequency: 50/60Hz

External painting: grey RAL7000

Code	ØA
PBA251-EFP3RD	M25x1.5 - 6H
PBA21-EFP3RD	3/4" NPT

ATEX & IECEx Equipment Data

Gas	Group I Zone 1	Ex db IIC T6 Gb
Dust	Group II Zone 21	Ex tb IIIC T85°C Db IP66
Tamb: -20°C ÷ +40°C		

ATEX Certificate	IECEx Certificate
BVI 15 ATEX 0074	IECEx EPS 15.0070