

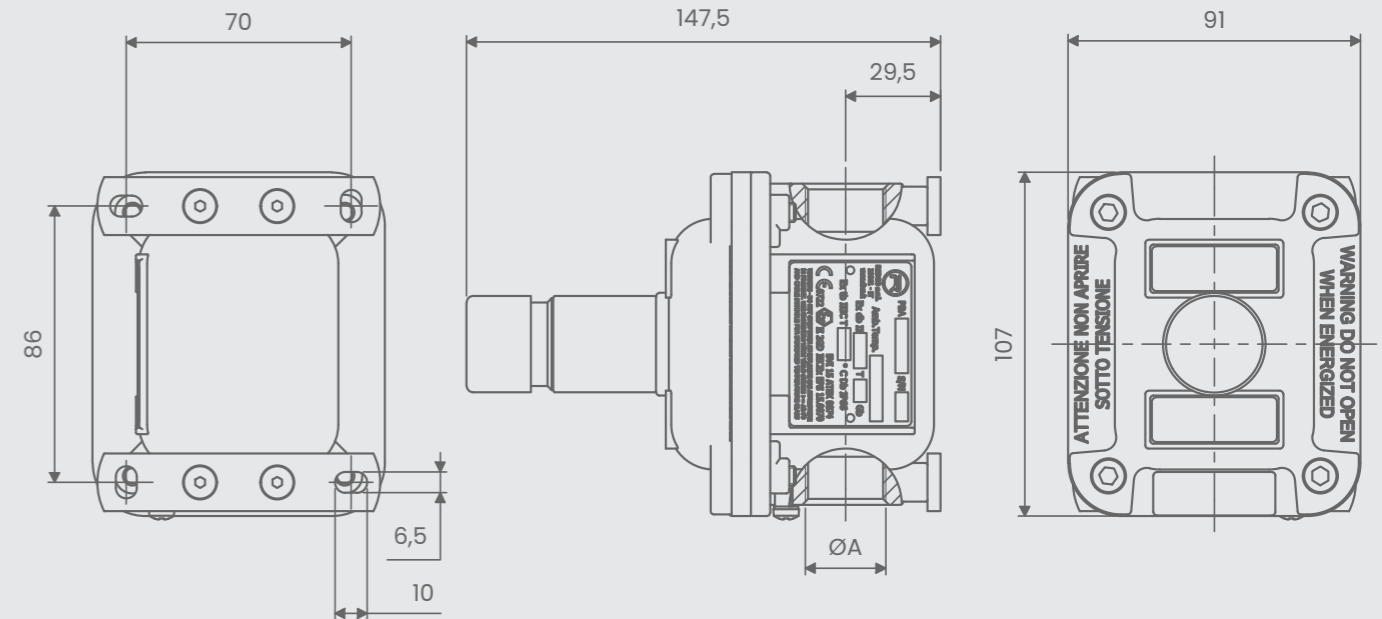
# EMERGENCY PUSHBUTTON

## PBA EFR

Pushbutton with emergency mushroom with rotary release.



# EMERGENCY PUSHBUTTON



## Features

**Material used:** alluminium low copper grade

**Max ambient temperature:** -50°C up to 80°C

**NPT thread:** 3/4" NPT

**ISO 262 thread:** M25x1.5

**Degree of protection:** IP66

**Max rated voltage:** 690Vac/440Vdc

**AC1 max current value:** 10A

**AC15 max current value:** 4A

**Cable section:** 1,5 ÷ 2,5 mmq

**Nominal frequency:** 50/60Hz

**External painting:** grey RAL7000

Code	ØA
<b>PBA251-EFR3RD</b>	M25x1.5 - 6H
<b>PBA21-EFR3RD</b>	3/4" NPT

### ATEX & IECEx Equipment Data

<b>Gas</b>	Group I Zone 1	Ex db IIC T6 Gb
<b>Dust</b>	Group II Zone 21	Ex tb IIIC T85°C Db IP66
Tamb: -20°C ÷ +40°C		

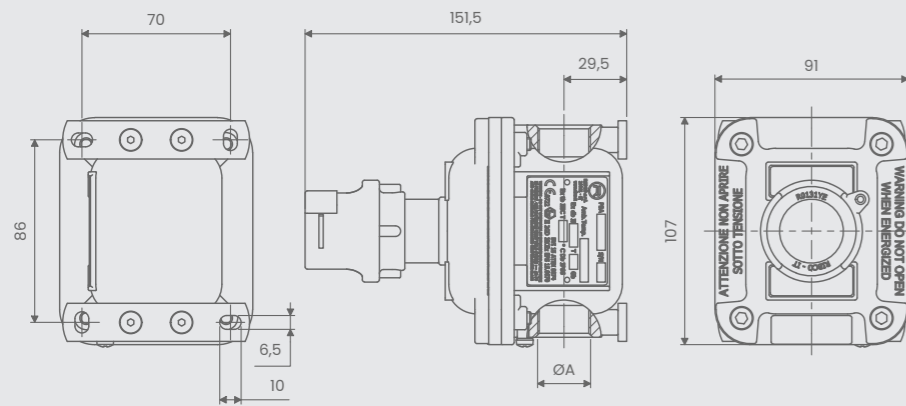
ATEX Certificate	IECEx Certificate
BVI 15 ATEX 0074	IECEx EPS 15.0070

# EMERGENCY PUSHBUTTON

## PBA EFR - Options Available

- With protection guard.

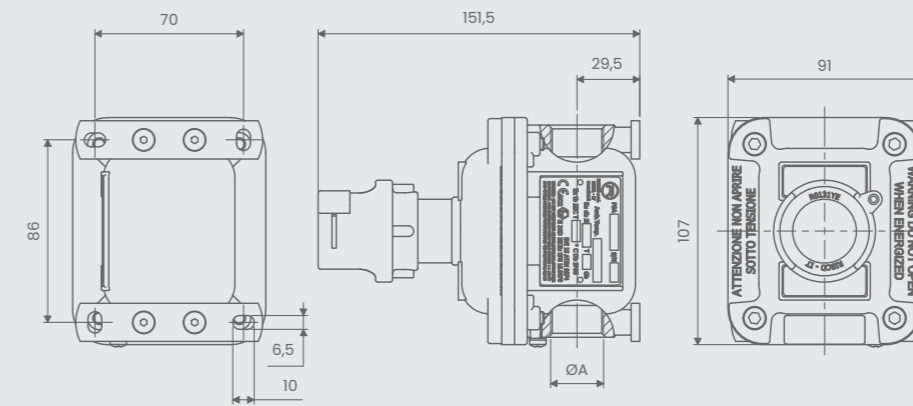
Code	ØA
<b>PBA251-EFR3GR</b>	M25x1.5 - 6H
<b>PBA21-EFR3GR</b>	3/4" NPT



# EMERGENCY PUSHBUTTON

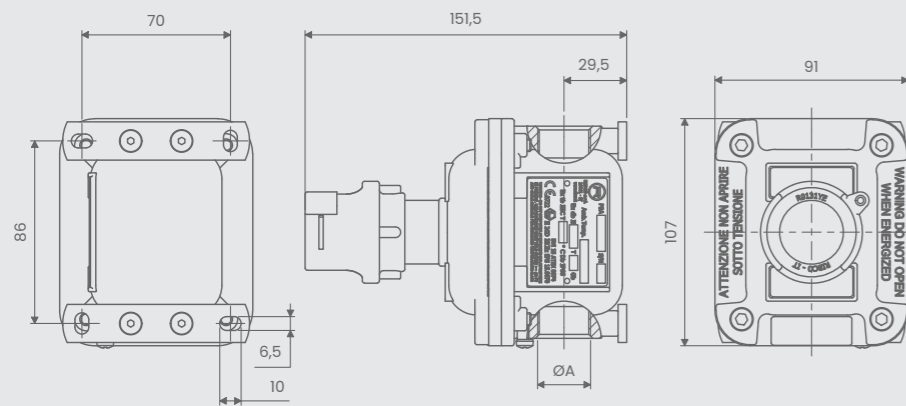
- With protection guard and rotary plate

Code	ØA
<b>PBA251-EFR3GP</b>	M25x1.5 - 6H
<b>PBA21-EFR3GP</b>	3/4" NPT



- With protection guard and lockable bracket

Code	ØA
<b>PBA251-EFR3GL</b>	M25x1.5 - 6H
<b>PBA21-EFR3GL</b>	3/4" NPT



- With protection guard, rotary plate and lockable bracket

Code	ØA
<b>PBA251-EFR3GP</b>	M25x1.5 - 6H
<b>PBA21-EFR3GP</b>	3/4" NPT

