

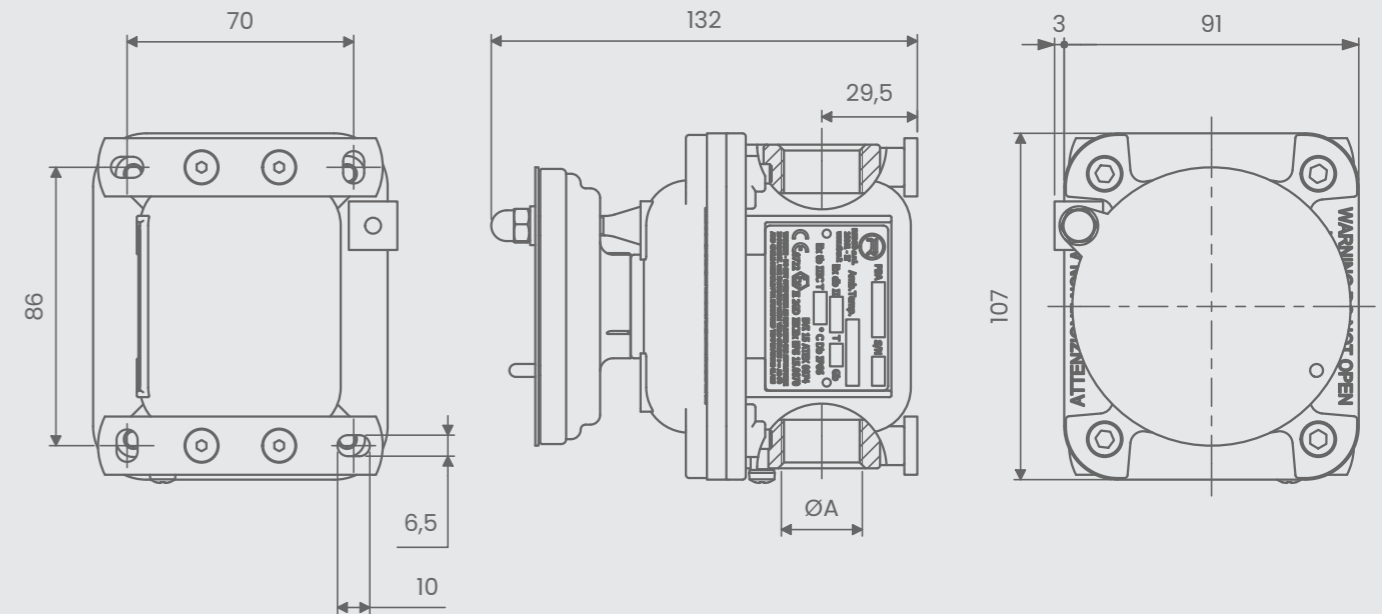
# EMERGENCY PUSHBUTTON WITH BREAKING GLASS

## PBA EIG

Emergency pushbutton station with breaking glass and stainless steel protection guard. Manual activation of the pushbutton.



# EMERGENCY PUSHBUTTON WITH BREAKING GLASS



## Features

**Material used:** alluminium low copper grade

**Max ambient temperature:** -50°C up to 80°C

**NPT thread:** 3/4 " NPT

**ISO 262 thread:** M25x1.5

**Degree of protection:** IP66

**Max rated voltage:** 690Vac/440Vdc

**AC1 max current value:** 10A

**AC15 max current value:** 4A

**Cable section:** 1,5 ÷ 2,5 mmq

**Nominal frequency:** 50/60Hz

**External painting:** red RAL3000

## ORDER CODING

Code	Button color	Electrical contacts		
PBA251-EIG	BK ● BU ● YE ● RD ● GN ● WH ○	01 - 1 NC	10 - 1 NO	11 - 1 NC + 1 NO
	+	02 - 2 NC	20 - 2 NO	12 - 1 NO + 2 NC
PBA21-EIG		03 - 3 NC	30 - 3 NO	21 - 2 NO + 1 NC

## ATEX & IECEx Equipment Data

<b>Gas</b>	Group I Zone 1	Ex db IIC T6 Gb
<b>Dust</b>	Group II Zone 21	Ex tb IIIC T85°C Db IP66
		Tamb: -20°C ÷ +40°C

## ATEX Certificate

BVI 15 ATEX 0074

## IECEx Certificate

IECEx EPS 15.0070