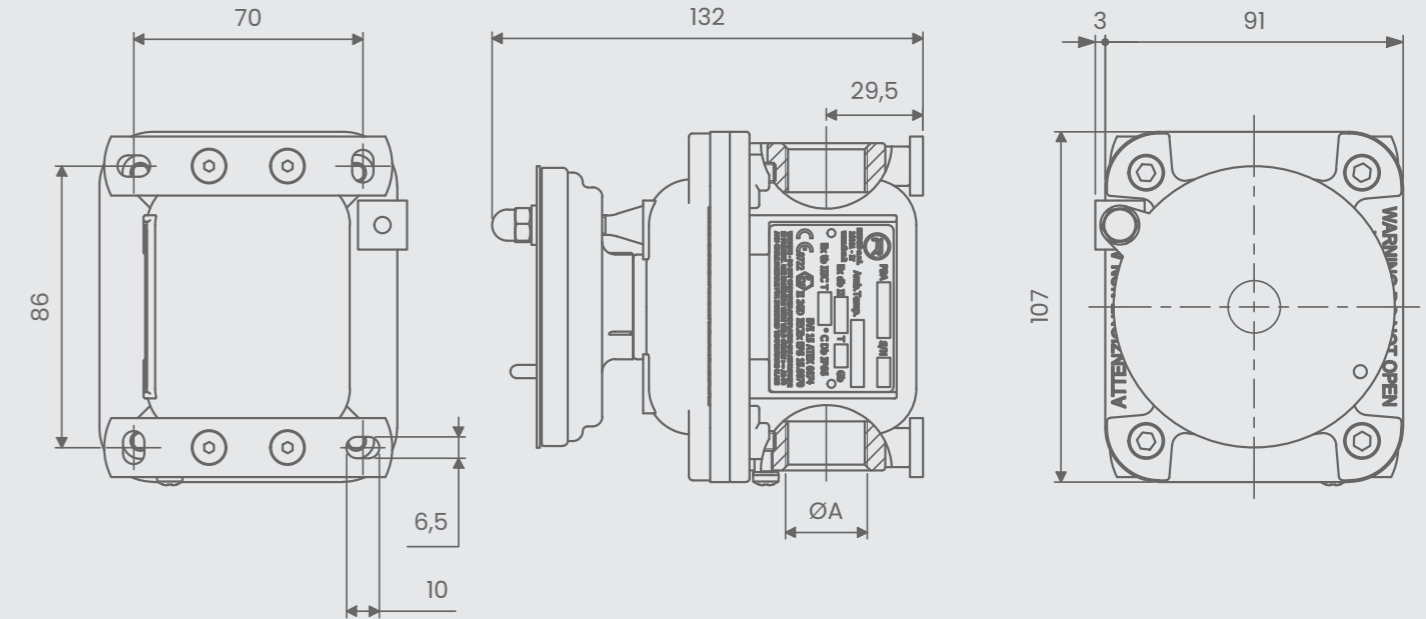
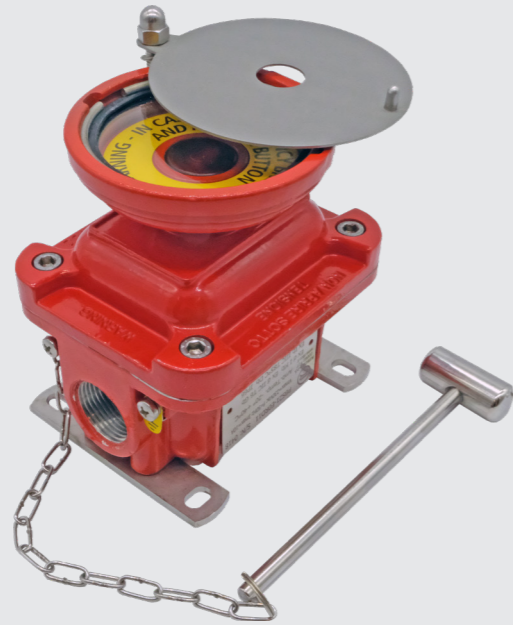


EMERGENCY PUSHBUTTON WITH BREAKING GLASS

PBA EILG

Emergency lighting pushbutton station with breaking glass and steel protection guard.
Manual activation of the pushbutton.



Features

Material used: alluminium low copper grade

Max ambient temperature: -50°C up to 80°C

NPT thread: 3/4 " NPT

ISO 262 thread: M25x1.5

Degree of protection: IP66

Max rated voltage: 690Vac/440Vdc

AC1 max current value: 10A

AC15 max current value: 4A

Cable section: 1,5 ÷ 2,5 mmq

Nominal frequency: 50/60Hz

External painting: red RAL3000

ORDER CODING

Code	Button color	Electrical contacts		
PBA251-EILG	BK ●	01 - 1 NC	10 - 1 NO	11 - 1 NC + 1 NO
	BU ●			
	YE ●			
	RD ●			
	GN ●			
	WH ○			
PBA21-EILG		02 - 2 NC	20 - 2 NO	12 - 1 NO + 2 NC
		03 - 3 NC	30 - 3 NO	21 - 2 NO + 1 NC

ATEX & IECEx Equipment Data

Gas	Group I Zone 1	Ex db IIC T6 Gb
Dust	Group II Zone 21	Ex tb IIIC T85°C Db IP66
Tamb: -20°C ÷ +40°C		

ATEX Certificate

BVI 15 ATEX 0074

IECEx Certificate

IECEx EPS 15.0070