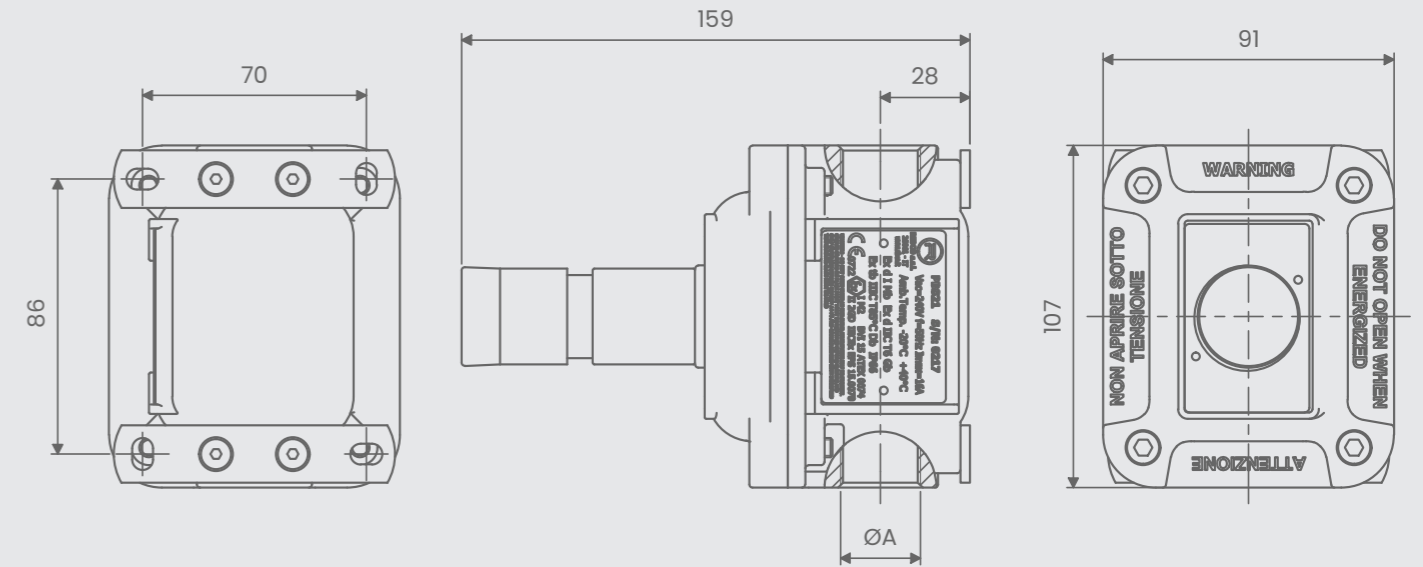


PBS 1 EFP

Pushbutton with emergency mushroom with pull release.
Totally made in Stainless Steel 316L.



Features

Material used: Stainless Steel AISI 316L

Operating temperature: -50°C up to 80°C

NPT thread: 3/4 NPT

ISO 262 thread: M25x1.5

Degree of protection: IP66

Max rated voltage: 690Vac/440Vdc

AC1 max current value: 10A

AC15 max current value: 4A

Cable section: 1,5 ÷ 2,5 mmq

Nominal frequency: 50/60Hz

External painting: no painting

Code	ØA
PBS251-EFP3RD	M25x1.5 - 6H
PBS21-EFP3RD	3/4" NPT

ATEX & IECEx Equipment Data

Gas	Group I Zone 1	II 2GD Ex db IIB T6...T4 Gb Ex db I Mb
Dust	Group II Zone 21	Ex tb IIIC T 85°C...T135°C Db IP66 Tamb: -50°C ÷ +80°C

ATEX Certificate

BVI 15 ATEX 0074

IECEx Certificate

IECEx EPS 15.0070