

PBS21-EFR3GRD / PBS251-EFR3GRD



ATEX & IECEx Equipment Data		
<b>Gas</b>	Group I Zone 1	Ex II 2G Ex d IIC T6...T4 Gb
<b>Dust</b>	Group II Zone 21	Ex II 2D Ex tb IIIC T85°C...T135°C Db IP66
<b>Mine</b>	Group I	Ex I M2 Ex d I Mb

- Emergency pushbutton station **rotate to release** with mushroom red head and stainless steel 316L guard yellow painted
- Up to three simultaneous contacts
- Made in stainless steel AISI 316L without any internal or external painting
- Max Voltage=230V
- Max Current= 10A (AC1 mode)
- Frequency= 50-60Hz
- Cable section= 1.5 - 2.5 mm<sup>2</sup>

**T. Amb Standard**  
-20°C ÷ + 50°C

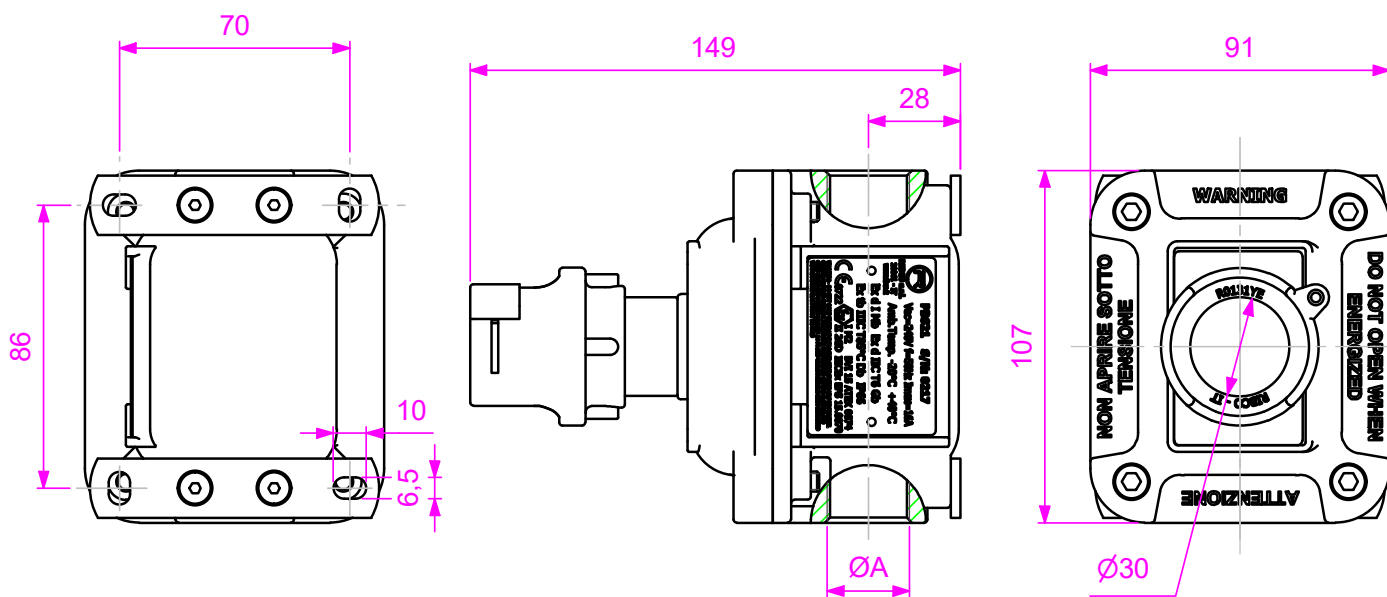
**T. Amb Max Range**  
-50°C ÷ +80°C

**ATEX Certificate**  
BVI 15 ATEX 0074

**IECEx Certificate**  
IECEx EPS 15.0070



**AISI 316L**



PBS251-EFR3GRD	M25x1.5 - 6H
PBS21-EFR3GRD	3/4" NPT
<b>CODE</b>	<b>øA</b>

Example: **PBS251-EFR3GRD21**

ORDER CODING

PBS251-EFR3GRD  
+  
PBS21-EFR3GRD

**ELECTRICAL CONTACTS**

- |            |            |                |
|------------|------------|----------------|
| • 01 - 1NC | • 10 - 1NO | • 11 - 1NC+1NO |
| • 02 - 2NC | • 20 - 2NO | • 12 - 1NO+2NC |
| • 03 - 3NC | • 30 - 3NO | • 21 - 2NO+1NC |