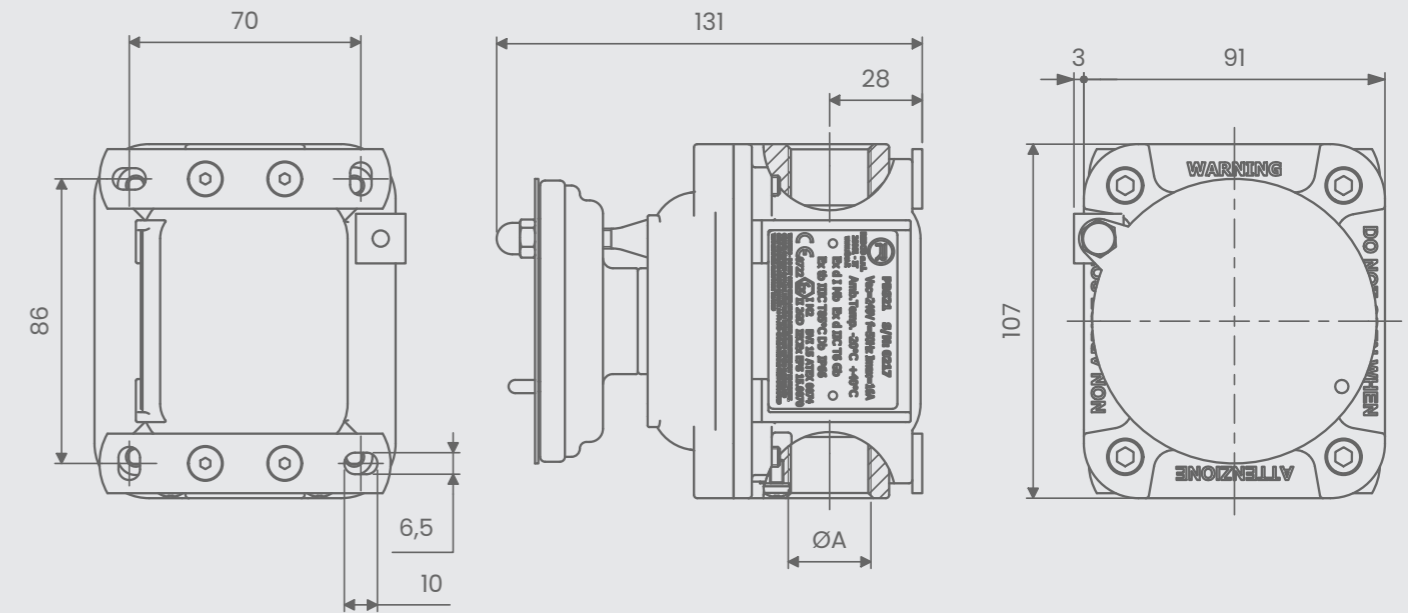


PBS EIG

Emergency pushbutton station with breaking glass and stainless steel protection guard.
Manual activation of the pushbutton.
Totally made in Stainless Steel 316L.



Features

- Material used:** Stainless Steel AISI 316L
- Operating temperature:** -50°C up to 80°C
- NPT thread:** 3/4 NPT
- ISO 262 thread:** M25x1.5
- Degree of protection:** IP66
- Max rated voltage:** 690Vac/440Vdc
- AC1 max current value:** 10A
- AC15 max current value:** 4A
- Cable section:** 1,5 ÷ 2,5 mmq
- Nominal frequency:** 50/60Hz
- External painting:** red RAL300

Code	ØA
PBS251-EIG	M25x1.5 - 6H
PBS21-EIG	3/4" NPT

ATEX & IECEx Equipment Data		
Gas	Group I Zone 1	II 2GD Ex db IIB T6...T4 Gb Ex db I Mb
Dust	Group II Zone 21	Ex tb IIIC T 85°C...T135°C Db IP66 Tamb: -50°C ÷ +80°C
ATEX Certificate		IECEx Certificate
BVI 15 ATEX 0074		IECEx EPS 15.0070