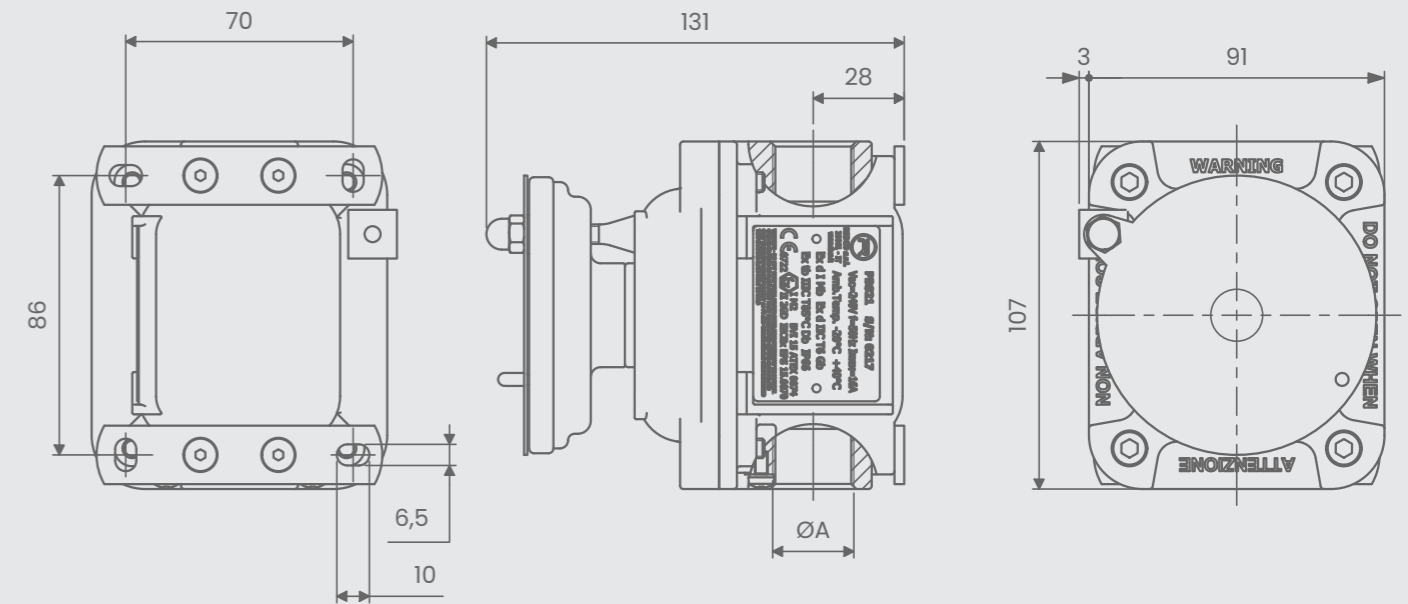
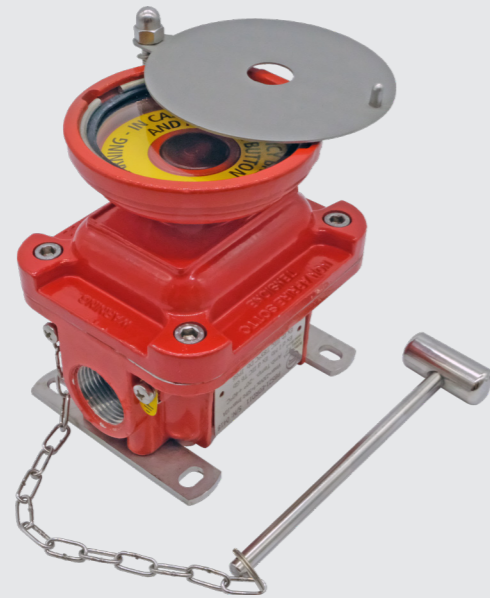


PBS EILG

Emergency lighting pushbutton station with breaking glass and protection guard.
Manual activation of the pushbutton.
Totally made in Stainless Steel 316L.



Features

- Material used:** Stainless Steel AISI 316L
- Max ambient temperature:** -50°C up to 80°C
- NPT thread:** 3/4 NPT
- ISO 262 thread:** M25x1.5
- Degree of protection:** IP66
- Max rated voltage:** 690Vac/440Vdc
- AC1 max current value:** 10A
- AC15 max current value:** 4A
- Cable section:** 1,5 ÷ 2,5 mmq
- Nominal frequency:** 50/60Hz
- External painting:** red RAL300

ORDER CODING

Code	Button color	Electrical contacts		
PBS251-EILG	BK ●	01 - 1 NC	10 - 1 NO	11 - 1 NC + 1 NO
	BU ●			
	YE ●			
	RD ●			
	GN ●			
	WH ○			
PBA21-EILG		02 - 2 NC	20 - 2 NO	12 - 1 NO + 2 NC
		03 - 3 NC	30 - 3 NO	21 - 2 NO + 1 NC

ATEX & IECEx Equipment Data

Gas	Group I Zone 1	Ex db I Mb Ex db IIC T6 Gb
Dust	Group II Zone 21	Ex tb IIIC T85°C Db IP66 Tamb: -20°C ÷ +40°C

ATEX Certificate

BVI 15 ATEX 0074

IECEx Certificate

IECEx EPS 15.0070