

ROTARY UNIONS

TY Series

Rotary unions can joint two thread part giving them the possibility of 360° rotation without any torsion damages. They can be used both with cable glands or with sealing fittings for the cable connection on a local control station in hazardous area.

Features

Material used: stainless steel AISI 316L

Operating temperature: -40°C up to 100°C with EPDM sealing rings

NPT thread: from 1/2" up to 2"

ISO 262 thread: from M20x1.5 up to M63x1.5

Degree of protection: IP66



ATEX & IECEx Equipment Data

Gas Group II Zone 1 Ex d I Mb Ex d IIC Gb Ex e IIC Gb

Dust Group II Zone 21 Ex tb IIIC Db IP66

ATEX Certificate

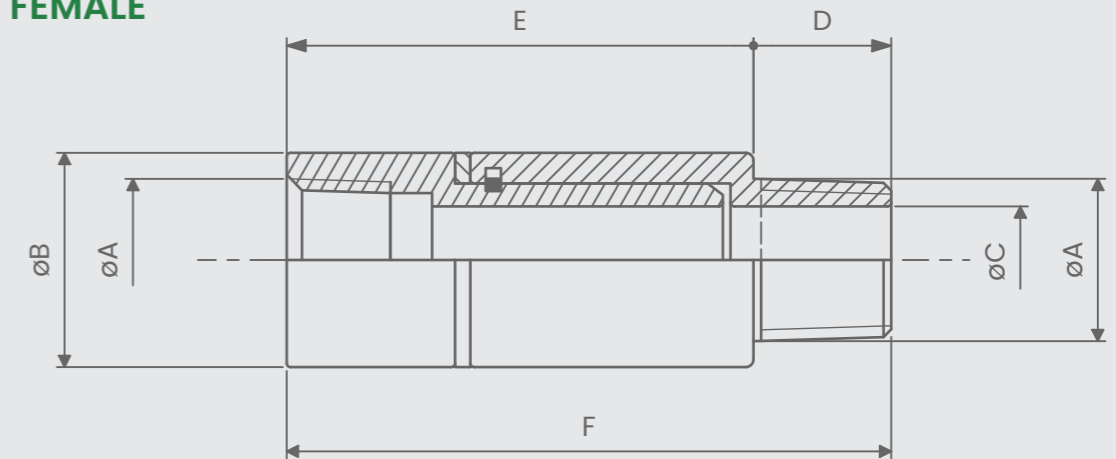
TUV 14 ATEX 149645U

IECEx Certificate

IECEx TUN 14.0032U

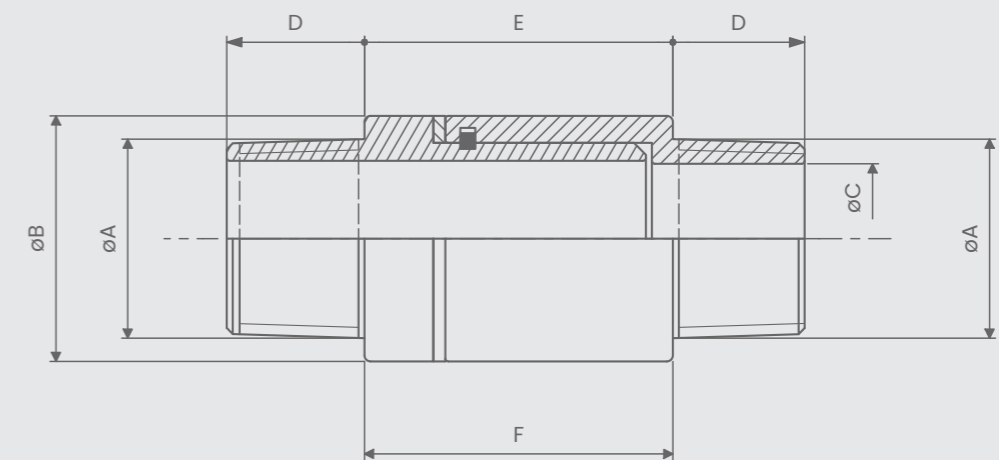
ROTARY UNIONS

MALE - FEMALE



Code	ØA [NPT]	Code	ØA [ISO]	ØB	ØC	D	E	F
TY1S	1/2"	TY20S	M20x1.5	26	15	18	60	78
TY2S	3/4"	TY25S	M25x1.5	34	19	18	60	78
TY3S	1"	TY32S	M32x1.5	40	25	18	67	85
TY4S	1"	TY40S	M40x1.5	50	34	22	67	89
TY5S	1.1/4"	TY50S	M50x1.5	58	39	22	67	89
TY6S	1.1/4"	TY63S	M63x1.5	70	50	22	67	89

MALE - MALE



Code	ØA [NPT]	Code	ØA [ISO]	ØB	ØC	D	E	F
TM1S	1/2"	TM20S	M20x1.5	26	15	18	50	86
TM2S	3/4"	TM25S	M25x1.5	34	19	18	50	86
TM3S	1"	TM32S	M32x1.5	40	25	18	52	88
TM4S	1"	TM40S	M40x1.5	50	34	22	52	96
TM5S	1.1/4"	TM50S	M50x1.5	58	39	22	52	99
TM6S	1.1/4"	TM63S	M63x1.5	70	50	22	52	99