



RIBCO

EXPLOSION PROOF  
EQUIPMENT

CATALOGO 2021

Certified by

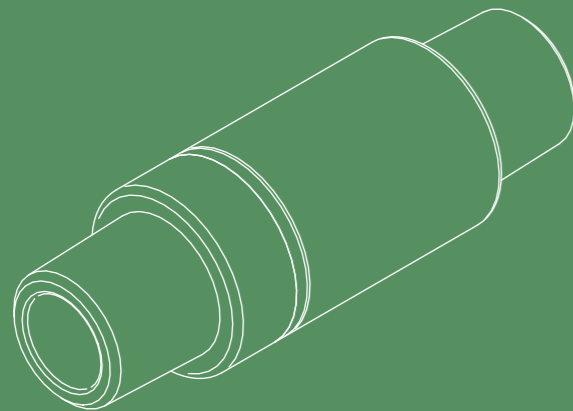


[www.ribco.it](http://www.ribco.it)

# R Rotary unions

Rotary unions series TY, TF and TM are electrical device for classified area Zone 1 & Zone 21. They can joint two thread part giving them the possibility of 360° rotation without any torsion damages. They can be used both with cable glands or with sealing fittings for the cable connection on a local control station in hazardous area.

All products are certified:



# ROTARY UNIONS

## TY Series

Rotary unions can joint two thread part giving them the possibility of 360° rotation without any torsion damages. They can be used both with cable glands or with sealing fittings for the cable connection on a local control station in hazardous area.

### Features

**Material used:** stainless steel AISI 316L

**Operating temperature:** -40°C up to 100°C with EPDM sealing rings

**NPT thread:** from 1/2" up to 2"

**ISO 262 thread:** from M20x1.5 up to M63x1.5

**Degree of protection:** IP66



### ATEX & IECEx Equipment Data

**Gas** Group II Zone 1 Ex d I Mb Ex d IIC Gb Ex e IIC Gb

**Dust** Group II Zone 21 Ex tb IIIC Db IP66

#### ATEX Certificate

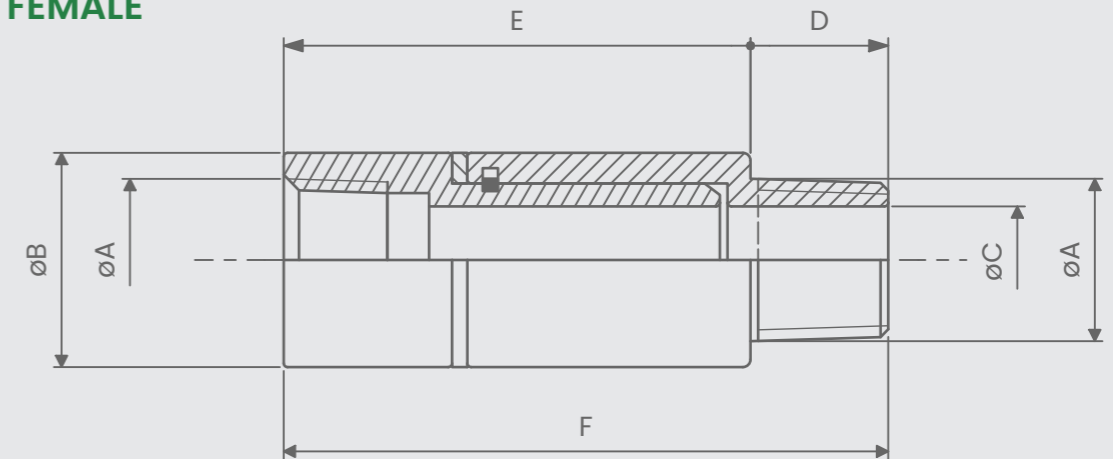
TUV 14 ATEX 149645U

#### IECEx Certificate

IECEx TUN 14.0032U

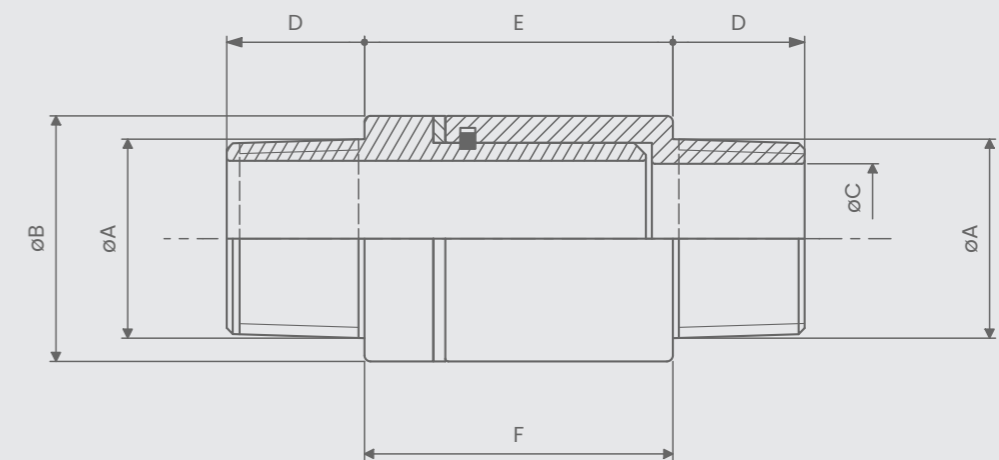
# ROTARY UNIONS

## MALE - FEMALE



Code	ØA [NPT]	Code	ØA [ISO]	ØB	ØC	D	E	F
TY1S	1/2"	TY20S	M20x1.5	26	15	18	60	78
TY2S	3/4"	TY25S	M25x1.5	34	19	18	60	78
TY3S	1"	TY32S	M32x1.5	40	25	18	67	85
TY4S	1"	TY40S	M40x1.5	50	34	22	67	89
TY5S	1.1/4"	TY50S	M50x1.5	58	39	22	67	89
TY6S	1.1/4"	TY63S	M63x1.5	70	50	22	67	89

## MALE - MALE



Code	ØA [NPT]	Code	ØA [ISO]	ØB	ØC	D	E	F
TM1S	1/2"	TM20S	M20x1.5	26	15	18	50	86
TM2S	3/4"	TM25S	M25x1.5	34	19	18	50	86
TM3S	1"	TM32S	M32x1.5	40	25	18	52	88
TM4S	1"	TM40S	M40x1.5	50	34	22	52	96
TM5S	1.1/4"	TM50S	M50x1.5	58	39	22	52	99
TM6S	1.1/4"	TM63S	M63x1.5	70	50	22	52	99