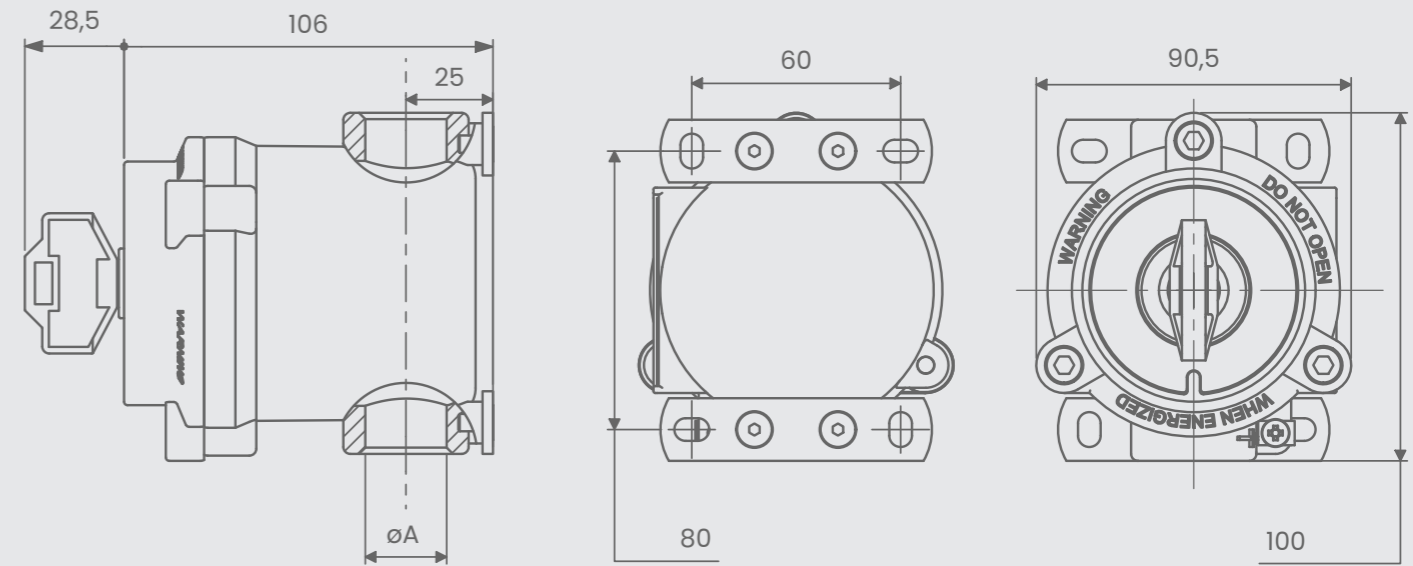


LCS 21H / 251H

- Rotary cam switch up to 20A.
- Different type of switch, on-off, deviator, etc.
- Rotary cam switch with triangle key.



Features

Material used: Stainless steel AISI 316L

Max Amb. Temperature: from -50°C up to 80°C

NPT thread: 3/4" NPT

ISO 262 thread: M25x1.5

Degree of protection: IP66

External painting: no painting

Max rated voltage: 690Vac

AC1 max current value: 20A

Cable section: 1,5 ÷ 2,5 mmq

Nominal frequency: 50/60Hz

ATEX & IECEx Equipment Data

Gas	Group I Zone 1	Ex d I Mb Ex d IIC T6 Gb
Dust	Group II Zone 21	Ex tb IIIC T85°C Db IP66 Tamb: -20°C ÷ +40°C

ATEX Certificate

BVI 15 ATEX 0073

IECEx Certificate

IECEx EPS 15.0069

Code

ØA

LCS251H

M25x1.5 - 6H

LCS21H

3/4" NPT

ORDER CODING

Code

Electrical Contact

LCS251H

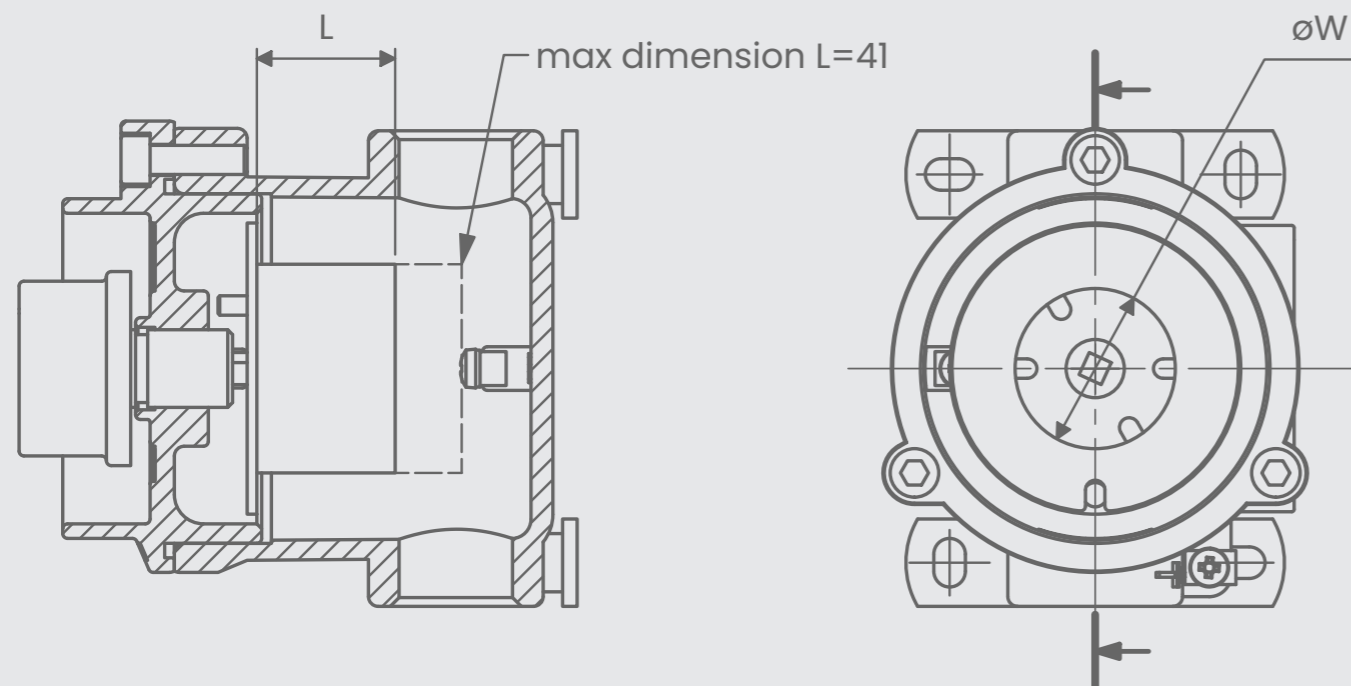
+

See table 9-1

LCS21H

Example: LCS21H-K1012

ROTATIVE ELECTRICAL CONTACT - Table 9-1



Code	N° Pole	Current Ith [A]	AC3 Rated Power [KW]	Switch Angles	Cross Section [mm ²]	øW [mm]	L [mm]	Function
K1001	1	16	1.5	60°	2 x 1.5÷2.5	43	29,5	0-1 ON/OFF
K2001	1	20	2.2	60°	2 x 1.5÷2.5	43	29,5	0-1 ON/OFF
K1002	2	16	1.5	60°	2 x 1.5÷2.5	43	29,5	0-1 ON/OFF
K2002	2	20	2.2	60°	2 x 1.5÷2.5	43	29,5	0-1 ON/OFF
K1003	3	16	2.2	60°	2 x 1.5÷2.5	43	29,5	0-1 ON/OFF
K2003	3	20	4	60°	2 x 1.5÷2.5	43	29,5	0-1 ON/OFF
K1004	4	16	2.2	60°	2 x 1.5÷2.5	43	41	0-1 ON/OFF
K2004	4	20	4	60°	2 x 1.5÷2.5	43	41	0-1 ON/OFF
K3004	4	25	5.5	60°	2 x 1.5÷2.5	43	41	0-1 ON/OFF
K1011	1	16	1.5	60°	2 x 1.5÷2.5	43	29,5	1-0-2 MAINS TRANSFER
K2011	1	20	2.2	60°	2 x 1.5÷2.5	43	29,5	1-0-2 MAINS TRANSFER
K3011	1	25	3	60°	2 x 1.5÷2.5	43	29,5	1-0-2 MAINS TRANSFER

Code	N° Pole	Current Ith [A]	AC3 Rated Power [KW]	Switch Angles	Cross Section [mm ²]	øW [mm]	L [mm]	Function
K1012	2	16	1.5	60°	2 x 1.5÷2.5	43	41	1-0-2 MAINS TRANSFER
K2012	2	20	2.2	60°	2 x 1.5÷2.5	43	41	1-0-2 MAINS TRANSFER
K3012	2	25	3	60°	2 x 1.5÷2.5	43	41	1-0-2 MAINS TRANSFER
K1013	3	16	2.2	60°	2 x 1.5÷2.5	43	41	1-0-2 MAINS TRANSFER
K2013	3	20	4	60°	2 x 1.5÷2.5	43	41	1-0-2 MAINS TRANSFER
K3013	3	25	5.5	60°	2 x 1.5÷2.5	43	41	1-0-2 MAINS TRANSFER
K1014	4	16	2.2	60°	2 x 1.5÷2.5	43	53,5	1-0-2 MAINS TRANSFER
K2014	4	20	4	60°	2 x 1.5÷2.5	43	53,5	1-0-2 MAINS TRANSFER
K3014	4	25	5.5	60°	2 x 1.5÷2.5	43	53,5	1-0-2 MAINS TRANSFER
K1021	1	16	1.5	60°	2 x 1.5÷2.5	43	29,5	1-2 CHANGE OVER
K2021	1	20	2.2	60°	2 x 1.5÷2.5	43	29,5	1-2 CHANGE OVER
K3021	1	25	3	60°	2 x 1.5÷2.5	43	29,5	1-2 CHANGE OVER
K1022	2	16	1.5	60°	2 x 1.5÷2.5	43	41	1-2 CHANGE OVER
K2022	2	20	2.2	60°	2 x 1.5÷2.5	43	41	1-2 CHANGE OVER
K3022	2	25	3	60°	2 x 1.5÷2.5	43	41	1-2 CHANGE OVER
K1023	3	16	2.2	60°	2 x 1.5÷2.5	43	41	1-2 CHANGE OVER
K2023	3	20	4	60°	2 x 1.5÷2.5	43	41	1-2 CHANGE OVER
K3023	3	25	5.5	60°	2 x 1.5÷2.5	43	41	1-2 CHANGE OVER