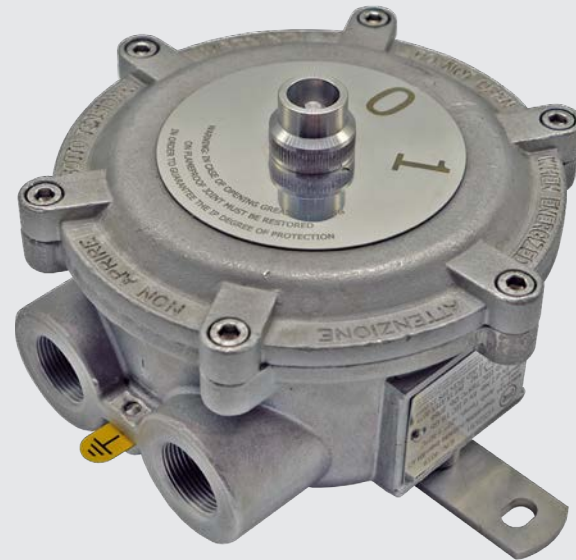


LCS 23H / 33H / 253H / 323H

- Rotary cam switch up to 40A.
- Different type of switch, on-off, deviator, etc.
- Rotary cam switch with triangle key operator.



Features

Material used: Stainless steel AISI 316L

Max Amb. Temperature: from -50°C up to 80°C

NPT thread: 3/4" NPT or 1"

ISO 262 thread: M25x1.5 or M32x1.5

Degree of protection: IP66

Max rated voltage: 690Vac

AC1 max current value: 40A

Cable section: 1,5 ÷ 16 mmq

Nominal frequency: 50/60Hz

External painting: no painting

ATEX & IECEx Equipment Data

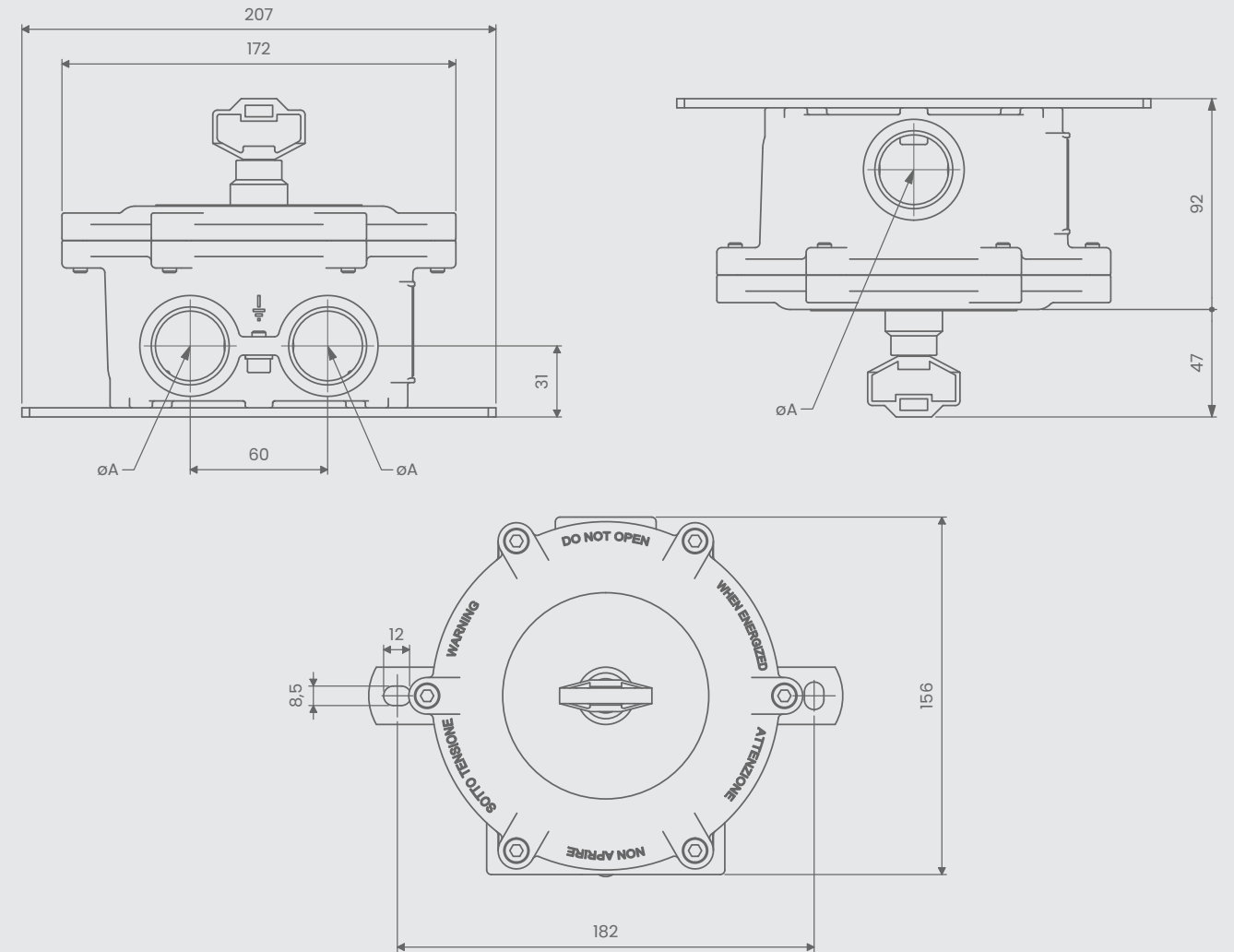
Gas	Group I Zone 1	Ex d I Mb Ex d IIC T6 Gb
Dust	Group II Zone 21	Ex tb IIIC T85°C Db IP66 Tamb: -20°C ÷ +40°C

ATEX Certificate

BVI 15 ATEX 0073

IECEx Certificate

IECEx EPS 15.0069



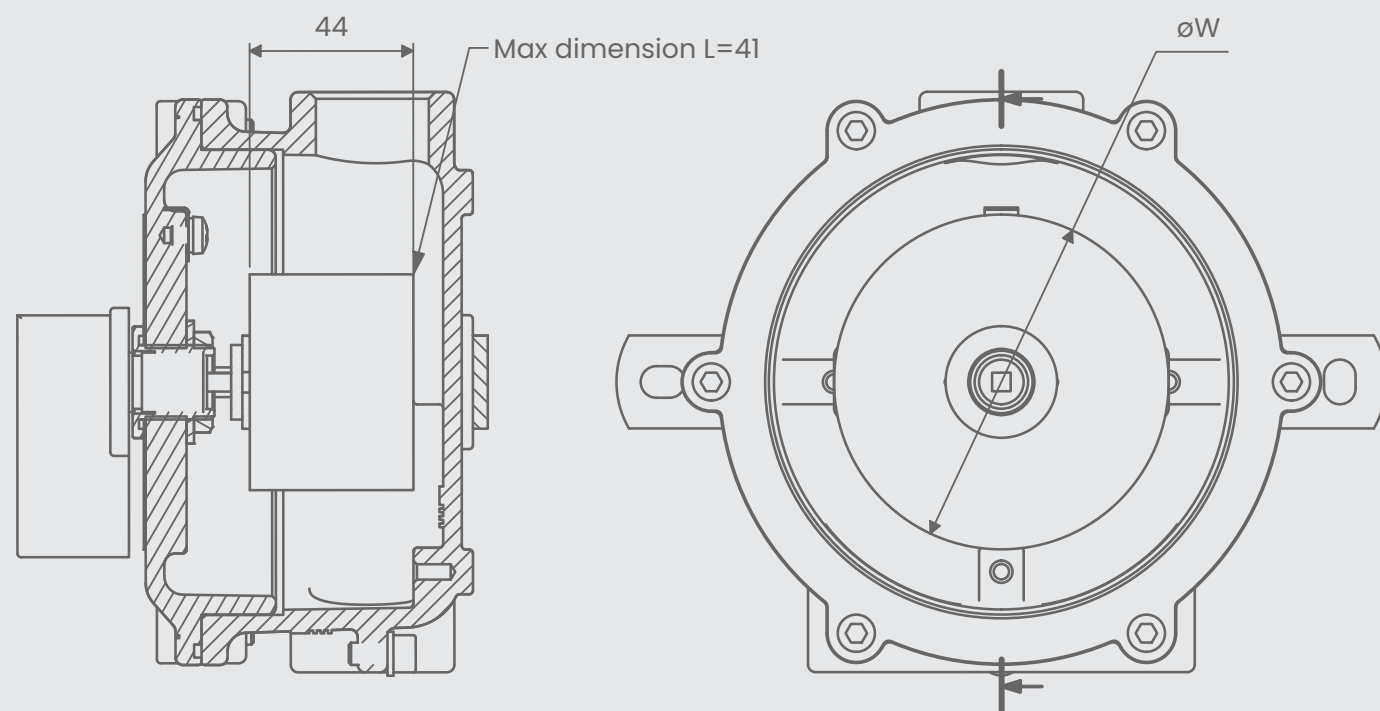
Code	ϕA
LCS23H	3/4" NPT
LCS33H	1" NPT
LCS253H	M25x1.5 - 6H
LCS323H	M32x1.5 - 6H

ORDER CODING

Code	Electrical Contact
LCS23H	
LCS33H	
LCS253H	+
LCS323H	See table 9-2

Example: LCS23H-K1012

ROTATIVE ELECTRICAL CONTACT - Table 9-2



Code	N° Pole	Current Ith [A]	AC3 Rated Power [KW]	Switch Angles	Cross Section [mm ²]	ϕW [mm]	L [mm]	Function
K1001	1	16	1.5	60°	2 x 1.5÷2.5	43	29.5	0-1 ON/OFF
K2001	1	20	2.2	60°	2 x 1.5÷2.5	43	29.5	0-1 ON/OFF
K3001	1	25	3	60°	2 x 1.5÷2.5	43	29.5	0-1 ON/OFF
K4001	1	32	4	60°	2 x 2.5÷4	58	29.5	0-1 ON/OFF
K5001	1	36	5.5	60°	2 x 2.5÷4	58	29.5	0-1 ON/OFF
K6001	1	40	7.5	60°	2 x 2.5÷4	58	29.5	0-1 ON/OFF
K7001	1	40	7.5	60°	2 x 6÷16	58	29.5	0-1 ON/OFF
K1002	2	16	1.5	60°	2 x 1.5÷2.5	43	29.5	0-1 ON/OFF
K2002	2	20	2.2	60°	2 x 1.5÷2.5	43	29.5	0-1 ON/OFF
K3002	2	25	3	60°	2 x 1.5÷2.5	43	29.5	0-1 ON/OFF
K4002	2	32	4	60°	2 x 2.5÷4	58	29.5	0-1 ON/OFF
K5002	2	36	5.5	60°	2 x 2.5÷4	58	29.5	0-1 ON/OFF

Code	N° Pole	Current Ith [A]	AC3 Rated Power [KW]	Switch Angles	Cross Section [mm ²]	ϕW [mm]	L [mm]	Function
K6002	2	40	7.5	60°	2 x 2.5÷4	58	29.5	0-1 ON/OFF
K7002	2	40	7.5	60°	2 x 2.5÷4	58	29.5	0-1 ON/OFF
K1003	3	16	2.2	60°	2 x 1.5÷2.5	43	29.5	0-1 ON/OFF
K2003	3	20	4	60°	2 x 1.5÷2.5	43	29.5	0-1 ON/OFF
K3003	3	25	5.5	60°	2 x 1.5÷2.5	43	29.5	0-1 ON/OFF
K4003	3	32	7.5	60°	2 x 2.5÷4	58	29.5	0-1 ON/OFF
K5003	3	36	11	60°	2 x 2.5÷4	58	29.5	0-1 ON/OFF
K6003	3	40	15	60°	2 x 2.5÷4	58	29.5	0-1 ON/OFF
K7003	3	40	15	60°	2 x 6÷16	58	29.5	0-1 ON/OFF
K1004	4	16	2.2	60°	2 x 1.5÷2.5	43	41	0-1 ON/OFF
K2004	4	20	4	60°	2 x 1.5÷2.5	43	41	0-1 ON/OFF
K3004	4	25	5.5	60°	2 x 1.5÷2.5	43	41	0-1 ON/OFF
K4004	4	32	7.5	60°	2 x 2.5÷4	58	41	0-1 ON/OFF
K5004	4	36	11	60°	2 x 2.5÷4	58	41	0-1 ON/OFF
K6004	4	40	15	60°	2 x 2.5÷4	58	41	0-1 ON/OFF
K1011	1	16	1.5	60°	2 x 1.5÷2.5	43	29.5	1-0-2 MAINS TRANSFER
K2011	1	20	2.2	60°	2 x 1.5÷2.5	43	29.5	1-0-2 MAINS TRANSFER
K3011	1	25	3	60°	2 x 1.5÷2.5	43	29.5	1-0-2 MAINS TRANSFER
K4011	1	32	4	60°	2 x 2.5÷4	58	29.5	1-0-2 MAINS TRANSFER
K5011	1	36	5.5	60°	2 x 2.5÷4	58	29.5	1-0-2 MAINS TRANSFER
K6011	1	40	7.5	60°	2 x 2.5÷4	58	29.5	1-0-2 MAINS TRANSFER
K1012	2	16	1.5	60°	2 x 1.5÷2.5	43	41	1-0-2 MAINS TRANSFER
K2012	2	20	2.2	60°	2 x 1.5÷2.5	43	41	1-0-2 MAINS TRANSFER
K3012	2	25	3	60°	2 x 1.5÷2.5	43	41	1-0-2 MAINS TRANSFER
K4012	2	32	4	60°	2 x 2.5÷4	58	41	1-0-2 MAINS TRANSFER
K5012	2	36	5.5	60°	2 x 2.5÷4	58	41	1-0-2 MAINS TRANSFER
K6012	2	40	7.5	60°	2 x 2.5÷4	58	41	1-0-2 MAINS TRANSFER
K1013	3	16	2.2	60°	2 x 1.5÷2.5	43	41	1-0-2 MAINS TRANSFER
K2013	3	20	4	60°	2 x 1.5÷2.5	43	41	1-0-2 MAINS TRANSFER
K3013	3	25	5.5	60°	2 x 1.5÷2.5	43	41	1-0-2 MAINS TRANSFER
K4013	3	32	7.5	60°	2 x 2.5÷4	58	41	1-0-2 MAINS TRANSFER
K5013	3	36	11	60°	2 x 2.5÷4	58	41	1-0-2 MAINS TRANSFER
K6013	3	40	15	60°	2 x 2.5÷4	58	41	1-0-2 MAINS TRANSFER

ROTATIVE ELECTRICAL CONTACT – Table 9-2

Code	N° Pole	Current I _{th} [A]	AC3 Rated Power [KW]	Switch Angles	Cross Section [mm ²]	øW [mm]	L [mm]	Function
K1021	1	16	1.5	60°	2 x 1.5÷2.5	43	29.5	1-2 CHANGE OVER
K2021	1	20	2.2	60°	2 x 1.5÷2.5	43	29.5	1-2 CHANGE OVER
K3021	1	25	3	60°	2 x 1.5÷2.5	43	29.5	1-2 CHANGE OVER
K4021	1	32	4	60°	2 x 2.5÷4	58	29.5	1-2 CHANGE OVER
K5021	1	36	5.5	60°	2 x 2.5÷4	58	29.5	1-2 CHANGE OVER
K6021	1	40	7.5	60°	2 x 2.5÷4	58	29.5	1-2 CHANGE OVER
K1022	2	16	1.5	60°	2 x 1.5÷2.5	43	41	1-2 CHANGE OVER
K2022	2	20	2.2	60°	2 x 1.5÷2.5	42	41	1-2 CHANGE OVER
K3022	2	25	3	60°	2 x 1.5÷2.5	43	41	1-2 CHANGE OVER
K4022	2	32	4	60°	2 x 2.5÷4	58	41	1-2 CHANGE OVER
K5022	2	36	5.5	60°	2 x 2.5÷4	58	41	1-2 CHANGE OVER
K6022	2	40	7.5	60°	2 x 2.5÷4	58	41	1-2 CHANGE OVER
K1023	3	16	2.2	60°	2 x 1.5÷2.5	43	41	1-2 CHANGE OVER
K2023	3	20	4	60°	2 x 1.5÷2.5	43	41	1-2 CHANGE OVER
K3023	3	25	5.5	60°	2 x 1.5÷2.5	43	41	1-2 CHANGE OVER
K4023	3	32	7.5	60°	2 x 2.5÷4	58	41	1-2 CHANGE OVER
K5023	3	36	11	60°	2 x 2.5÷4	58	41	1-2 CHANGE OVER
K6023	3	40	15	60°	2 x 2.5÷4	58	41	1-2 CHANGE OVER