

LCS 23AY / 33AY / 253AY / 323AY

- The switch series LCS 3A can also include terminal strips model type as indicated in the table.
- Rotary cam switch up to 40A.
- Different type of switch, on-off, deviator, etc.
- Rotary cam switch with Yale key operator.



Features

Material used: Stainless steel AISI 316L

Max Amb. Temperature: from -50°C up to 80°C

NPT thread: 3/4" NPT or 1"

ISO 262 thread: M25x1.5 or M32x1.5

Degree of protection: IP66

Max rated voltage: 690Vac

AC1 max current value: 40A

Cable section: 1,5 ÷ 16 mmq

Nominal frequency: 50/60Hz

External painting: no painting

ATEX & IECEx Equipment Data

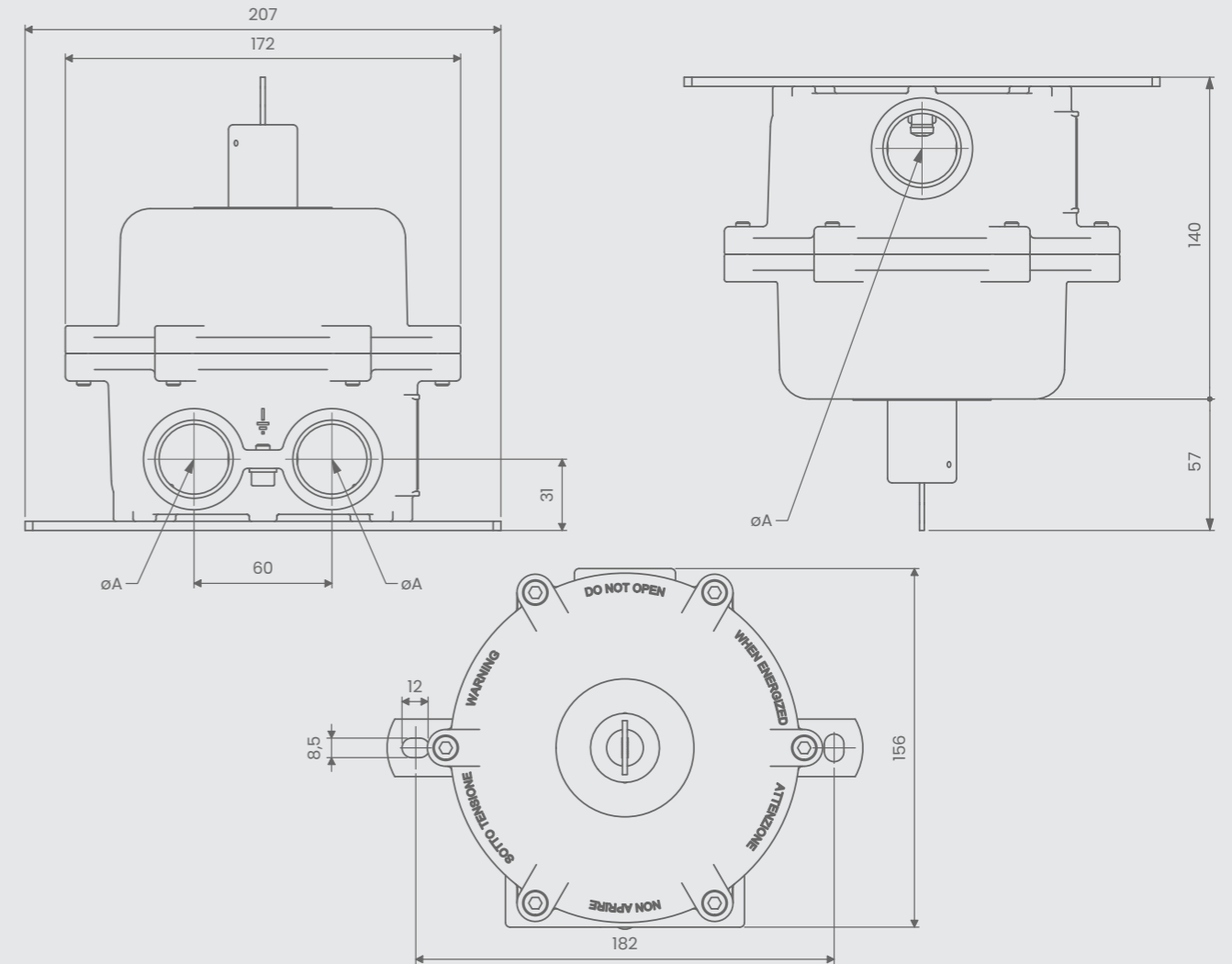
Gas	Group I Zone 1	Ex d I Mb Ex d IIC T6 Gb
Dust	Group II Zone 21	Ex tb IIIC T85°C Db IP66 Tamb: -20°C ÷ +40°C

ATEX Certificate

BVI 15 ATEX 0073

IECEx Certificate

IECEx EPS 15.0069



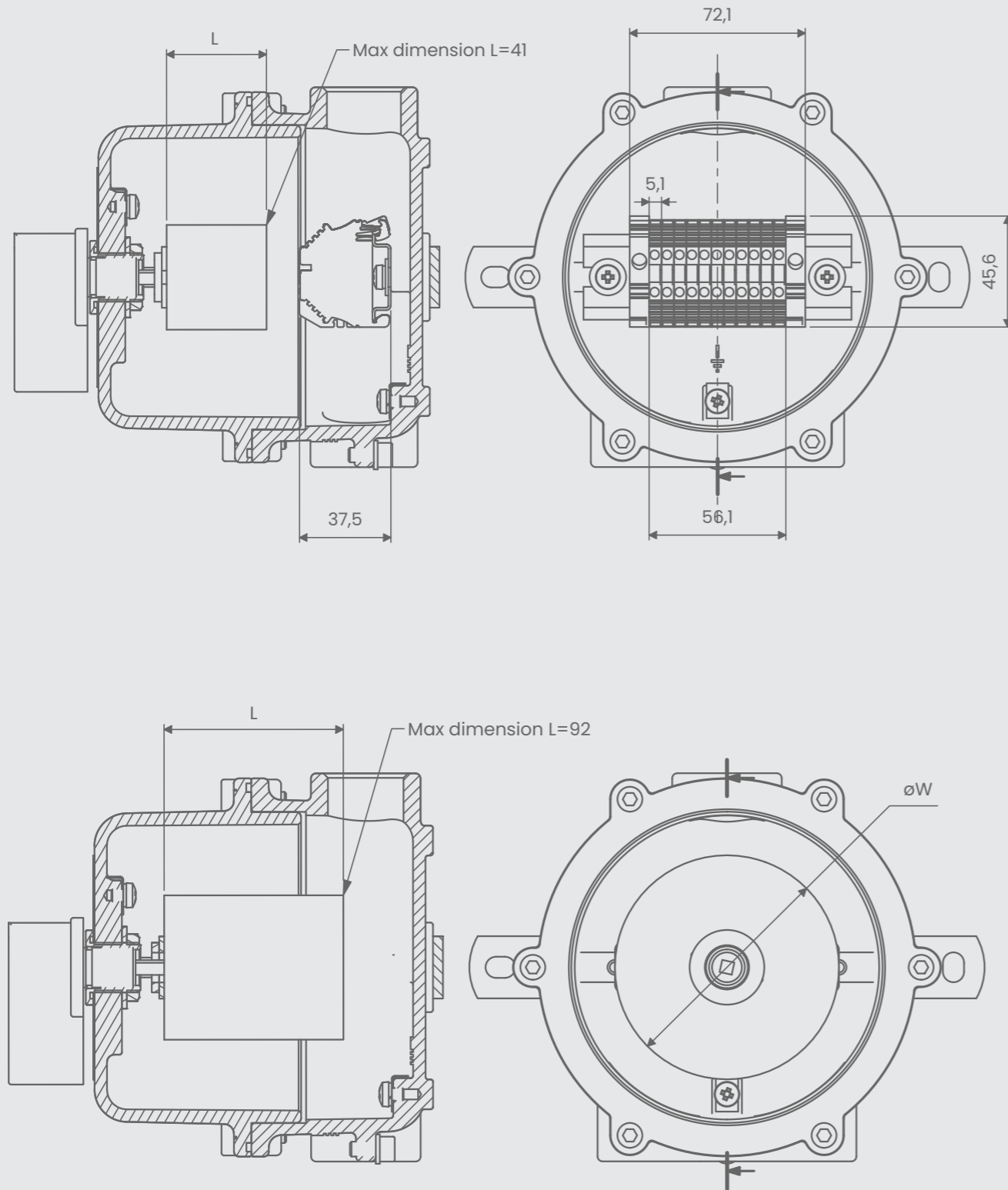
Code	ϕA
LCS23AY	3/4" NPT
LCS33AY	1" NPT
LCS253AY	M25x1.5 - 6H
LCS323AY	M32x1.5 - 6H

ORDER CODING

Code	Key code	Electrical contact
LCS23AY	A - 3103	
LCS33AY	B - 3108	
LCS253AY	+ C - 3108	+ See Table 9-3
LCS323AY		

Example: LCS23AY-K1012

ROTATIVE ELECTRICAL CONTACT - Table 9-3



Code	N° Pole	Current Ith [A]	AC3 Rated Power [kW]	Switch Angles	Cross Section [mm²]	øW [mm]	L [mm]	Function
K1001	1	16	1.5	60°	2 x 1.5÷2.5	43	29.5	0-1 ON/OFF
K2001	1	20	2.2	60°	2 x 1.5÷2.5	43	29.5	0-1 ON/OFF
K3001	1	25	3	60°	2 x 1.5÷2.5	43	29.5	0-1 ON/OFF
K4001	1	32	4	60°	2 x 2.5÷4	58	29.5	0-1 ON/OFF
K5001	1	36	5.5	60°	2 x 2.5÷4	58	29.5	0-1 ON/OFF
K6001	1	40	7.5	60°	2 x 2.5÷4	58	29.5	0-1 ON/OFF
K7001	1	40	7.5	60°	2 x 6÷16	58	29.5	0-1 ON/OFF
K1002	2	16	1.5	60°	2 x 1.5÷2.5	43	29.5	0-1 ON/OFF
K2002	2	20	2.2	60°	2 x 1.5÷2.5	43	29.5	0-1 ON/OFF
K3002	2	25	3	60°	2 x 1.5÷2.5	43	29.5	0-1 ON/OFF
K4002	2	32	4	60°	2 x 2.5÷4	58	29.5	0-1 ON/OFF
K5002	2	36	5.5	60°	2 x 2.5÷4	58	29.5	0-1 ON/OFF
K6002	2	40	7.5	60°	2 x 2.5÷4	58	29.5	0-1 ON/OFF
K7002	2	40	7.5	60°	2 x 2.5÷4	58	29.5	0-1 ON/OFF
K1003	3	16	2.2	60°	2 x 1.5÷2.5	43	29.5	0-1 ON/OFF
K2003	3	20	4	60°	2 x 1.5÷2.5	43	29.5	0-1 ON/OFF
K3003	3	25	5.5	60°	2 x 1.5÷2.5	43	29.5	0-1 ON/OFF
K4003	3	32	7.5	60°	2 x 2.5÷4	58	29.5	0-1 ON/OFF
K5003	3	36	11	60°	2 x 2.5÷4	58	29.5	0-1 ON/OFF
K6003	3	40	15	60°	2 x 2.5÷4	58	29.5	0-1 ON/OFF
K7003	3	40	15	60°	2 x 6÷16	58	29.5	0-1 ON/OFF
K1004	4	16	2.2	60°	2 x 1.5÷2.5	43	41	0-1 ON/OFF
K2004	4	20	4	60°	2 x 1.5÷2.5	43	41	0-1 ON/OFF
K3004	4	25	5.5	60°	2 x 1.5÷2.5	43	41	0-1 ON/OFF
K4004	4	32	7.5	60°	2 x 2.5÷4	58	41	0-1 ON/OFF
K5004	4	36	11	60°	2 x 2.5÷4	58	41	0-1 ON/OFF
K6004	4	40	15	60°	2 x 2.5÷4	58	41	0-1 ON/OFF
K7004	4	40	15	60	2 x 6 ÷ 16	58	69	0-1 ON/OFF
K1011	1	16	1.5	60°	2 x 1.5÷2.5	43	29.5	1-0-2 MAINS TRANSFER
K2011	1	20	2.2	60°	2 x 1.5÷2.5	43	29.5	1-0-2 MAINS TRANSFER

ROTATIVE ELECTRICAL CONTACT - Table 9-3

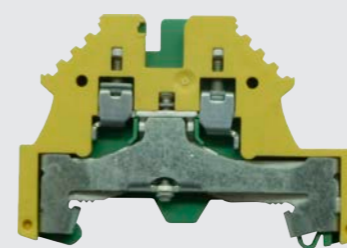
Code	N° Pole	Current Ith [A]	AC3 Rated Power [KW]	Switch Angles	Cross Section [mm ²]	øW [mm]	L [mm]	Function
K3011	1	25	3	60°	2 x 1.5÷2.5	43	29.5	1-0-2 MAINS TRANSFER
K1011	1	16	1.5	60°	2 x 1.5÷2.5	43	29.5	1-0-2 MAINS TRANSFER
K2011	1	20	2.2	60°	2 x 1.5÷2.5	43	29.5	1-0-2 MAINS TRANSFER
K3011	1	25	3	60°	2 x 1.5÷2.5	43	29.5	1-0-2 MAINS TRANSFER
K4011	1	32	4	60°	2 x 2.5÷4	58	29.5	1-0-2 MAINS TRANSFER
K5011	1	36	5.5	60°	2 x 2.5÷4	58	29.5	1-0-2 MAINS TRANSFER
K6011	1	40	7.5	60°	2 x 2.5÷4	58	29.5	1-0-2 MAINS TRANSFER
K1012	2	16	1.5	60°	2 x 1.5÷2.5	43	41	1-0-2 MAINS TRANSFER
K2012	2	20	2.2	60°	2 x 1.5÷2.5	43	41	1-0-2 MAINS TRANSFER
K3012	2	25	3	60°	2 x 1.5÷2.5	43	41	1-0-2 MAINS TRANSFER
K4012	2	32	4	60°	2 x 2.5÷4	58	41	1-0-2 MAINS TRANSFER
K5012	2	36	5.5	60°	2 x 2.5÷4	58	41	1-0-2 MAINS TRANSFER
K6012	2	40	7.5	60°	2 x 2.5÷4	58	41	1-0-2 MAINS TRANSFER
K1013	3	16	2.2	60°	2 x 1.5÷2.5	43	41	1-0-2 MAINS TRANSFER
K2013	3	20	4	60°	2 x 1.5÷2.5	43	41	1-0-2 MAINS TRANSFER
K3013	3	25	5.5	60°	2 x 1.5÷2.5	43	41	1-0-2 MAINS TRANSFER
K4013	3	32	7.5	60°	2 x 2.5÷4	58	41	1-0-2 MAINS TRANSFER
K5013	3	36	11	60°	2 x 2.5÷4	58	41	1-0-2 MAINS TRANSFER
K6013	3	40	15	60°	2 x 2.5÷4	58	41	1-0-2 MAINS TRANSFER
K1014	4	16	2.2	60°	2 x 1.5÷2.5	43	53.5	1-0-2 MAINS TRANSFER
K2014	4	20	4	60°	2 x 1.5÷2.5	43	53.5	1-0-2 MAINS TRANSFER
K3014	4	25	5.5	60°	2 x 1.5÷2.5	43	53.5	1-0-2 MAINS TRANSFER
K4014	4	32	7.5	60°	2 x 2.5÷4	58	58	1-0-2 MAINS TRANSFER
K5014	4	36	11	60°	2 x 2.5÷4	58	58	1-0-2 MAINS TRANSFER
K6014	4	40	15	60°	2 x 2.5÷4	58	58	1-0-2 MAINS TRANSFER
K1021	1	16	1.5	60°	2 x 1.5÷2.5	43	29.5	1-2 CHANGE OVER
K2021	1	20	2.2	60°	2 x 1.5÷2.5	43	29.5	1-2 CHANGE OVER
K3021	1	25	3	60°	2 x 1.5÷2.5	43	29.5	1-2 CHANGE OVER
K4021	1	32	4	60°	2 x 2.5÷4	58	29.5	1-2 CHANGE OVER
K5021	1	36	5.5	60°	2 x 2.5÷4	58	29.5	1-2 CHANGE OVER
K6021	1	40	7.5	60°	2 x 2.5÷4	58	29.5	1-2 CHANGE OVER
K1022	2	16	1.5	60°	2 x 1.5÷2.5	43	41	1-2 CHANGE OVER
K2022	2	20	2.2	60°	2 x 1.5÷2.5	42	41	1-2 CHANGE OVER

ROTATIVE ELECTRICAL CONTACT - Table 9-3

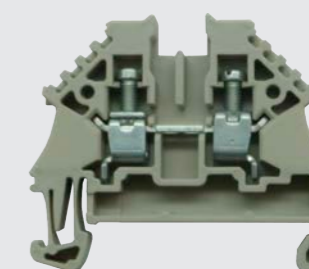
Code	N° Pole	Current Ith [A]	AC3 Rated Power [KW]	Switch Angles	Cross Section [mm ²]	øW [mm]	L [mm]	Function
K3022	2	25	3	60°	2 x 1.5÷2.5	43	41	1-2 CHANGE OVER
K4022	2	32	4	60°	2 x 2.5÷4	58	41	1-2 CHANGE OVER
K5022	2	36	5.5	60°	2 x 2.5÷4	58	41	1-2 CHANGE OVER
K6022	2	40	7.5	60°	2 x 2.5÷4	58	41	1-2 CHANGE OVER
K1023	3	16	2.2	60°	2 x 1.5÷2.5	43	41	1-2 CHANGE OVER
K2023	3	20	4	60°	2 x 1.5÷2.5	43	41	1-2 CHANGE OVER
K3023	3	25	5.5	60°	2 x 1.5÷2.5	43	41	1-2 CHANGE OVER
K4023	3	32	7.5	60°	2 x 2.5÷4	58	41	1-2 CHANGE OVER
K5023	3	36	11	60°	2 x 2.5÷4	58	41	1-2 CHANGE OVER
K6023	3	40	15	60°	2 x 2.5÷4	58	41	1-2 CHANGE OVER

The switch series LCS 3A can also include terminal strips model type as indicated in the table.

WPE



WDU



TERMINAL BLOCK suitable for LCS size 3A

Code	Description	Cross section	Vmax	Imax	d	Max q.ty
WDU2.5N	Feed-through terminal block 2,5 mmq	1,5 ÷ 2,5	230V	10A	5,1	11
WDU4N	Feed-through terminal block 4 mmq	1,5 ÷ 4	230V	10A	6,1	9
WPE2.5N	Modular PE terminal block 2,5 mmq	1,5 ÷ 2,5	230V	NA	5,1	11
WPE4N	Modular PE terminal block 4 mmq	1,5 ÷ 4	230V	NA	6,1	9